

Above-Ground Pool Gate Valve

For low pressure pool filtration or aquaculture systems



EASY TO INSTALL AND OPERATE

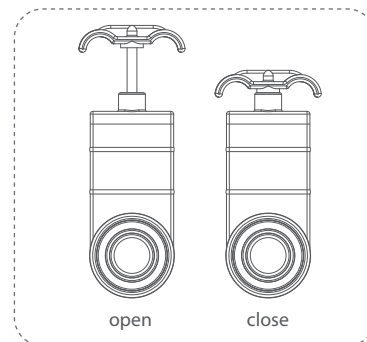
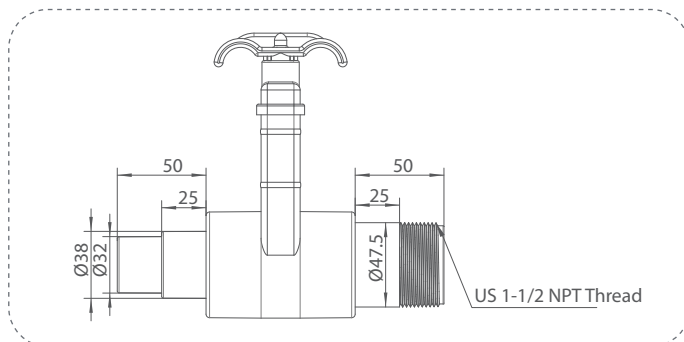
This push-pull knife gate valve is designed for low-pressure filtration or aquaculture systems. The compact size permits easy installation and removal making it perfect for small or mid size filtration systems. Two types of piping connections are available for adding into the piping without glue.



Shown with cartridge filter combo, NanoTech UV disinfection system, and hose connections

Product Information

1. PVC with stainless steel shaft
2. Size: 1.5 inch
3. Operation pressure: 2 Bar
4. Connection: 32-38mm hose and 1.5" NPT thread



EMAUX WATER TECHNOLOGY CO., LTD

Flat A-D, 20/F., Kai Bo 22, 22 Wing Kin Road,
Kwai Chung, Hong Kong

Pool & Spa Equipment

ALL SPECIFICATIONS ARE SUBJECT TO CHANGE WITHOUT NOTICE
© 2021 EMAUX WATER TECHNOLOGY CO., LTD. ALL RIGHTS RESERVED.

Available from:

YOUR PREMIER SUPPLIER