

All-Star Series Pump

HIGH FLOW RATE PERFORMANCE

Specially designed for above-ground pool



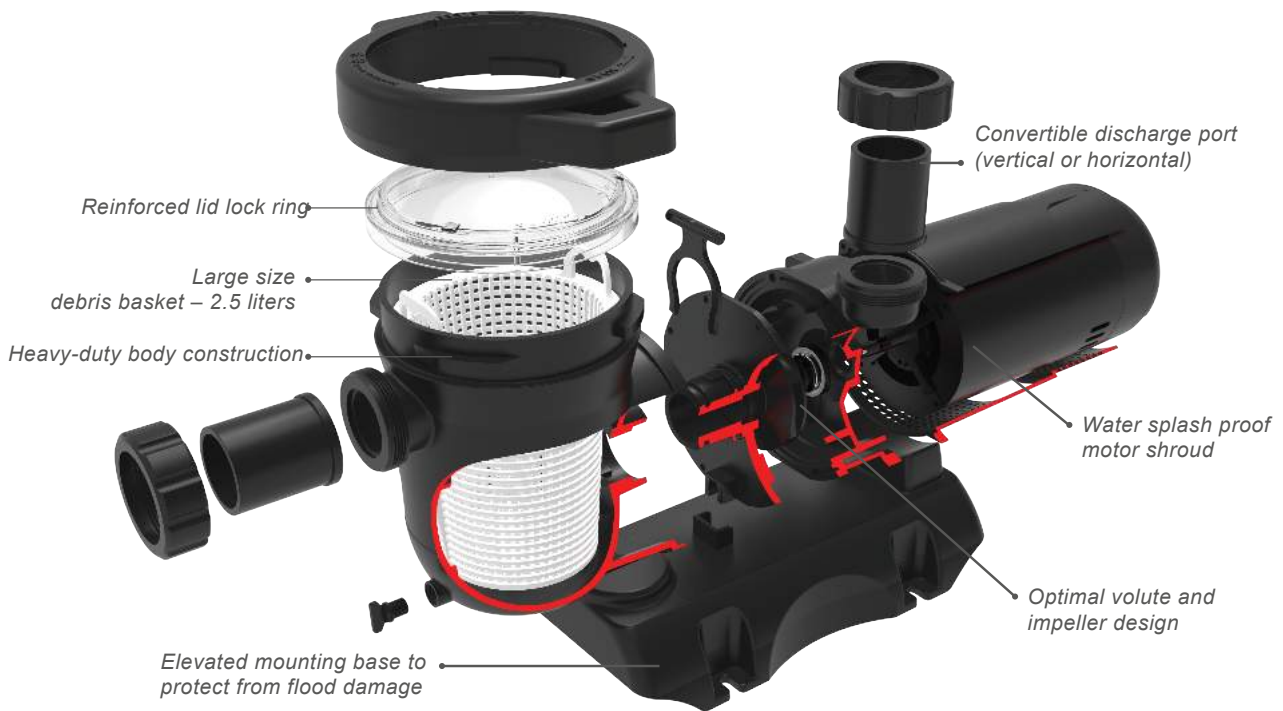
Features

1. Includes a motor shroud for Canada versions and a mounting base. All components are molded in corrosion-proof reinforced thermoplastic for superior strength and reliability.
2. Easy access discharge port allows conversion from vertical to horizontal discharge orientation.
3. 1.5" PVC pipe union or NPT thread to 1.25" - 1.5" hose band adaptor for quick inlet/outlet hose connection.
4. Large debris basket with see-through lid reduces cleaning frequency. Twist-Lock lid design enables hassle-free access to the basket.
5. Optimal volute and impeller design provides an excellent hydraulic performance.
6. Suitable for in-ground pools: self-priming vertical lift up to 5ft (1.5 metres).
7. Super quiet operation especially for dual-speed models.
8. Heavy duty high performance motor with automatic thermal overload protection.



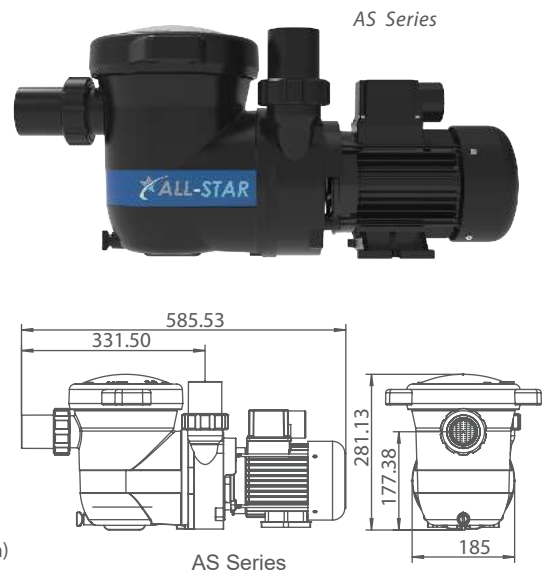
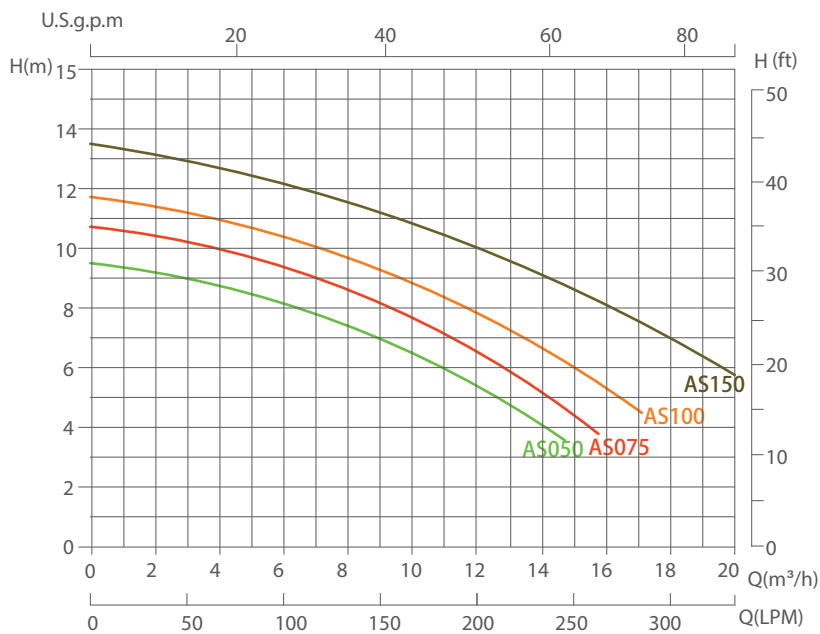
Pool & Spa Equipment

Exploded Diagram:



Technical Information:

AS Series: with TEFC motor and CE certificate

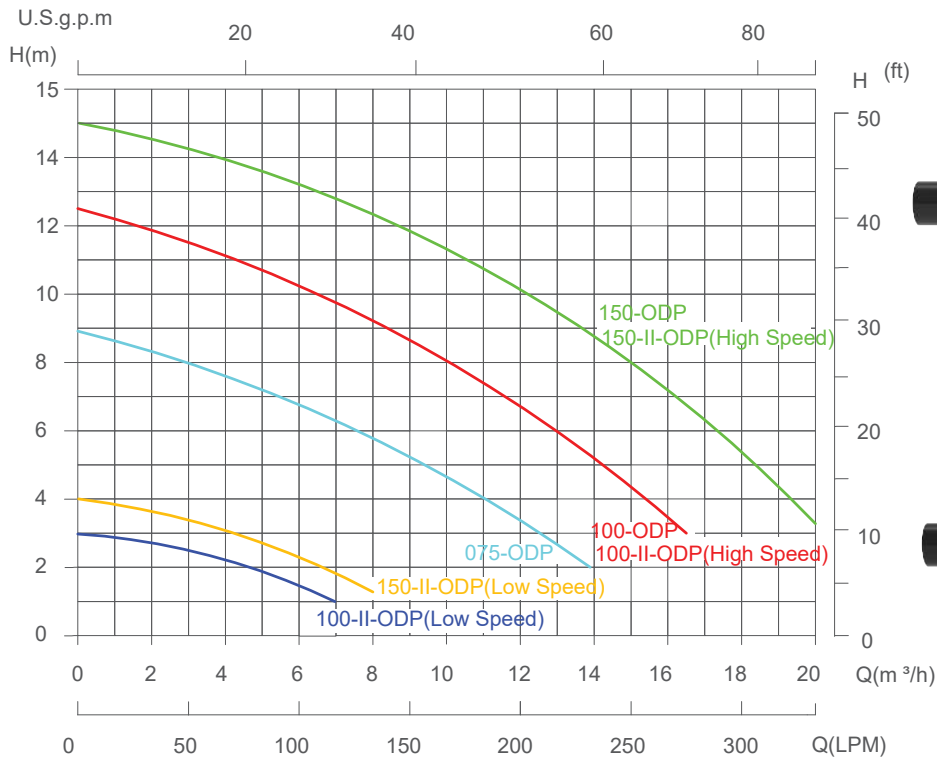


| Code (220V/50Hz) | Model | Connection Size | HP | UF | Weight (Kg) | Input (kW) | Current (AMP) | Noise (dB) | Head (m) | | | |
|------------------|-------|-----------------|------|----|-------------|------------|---------------|------------|----------|------------------|----|--|
| | | | | | | | | | 6 | 8 | 10 | |
| | | | | | | | | | | Flow Rate (m³/h) | | |
| 9024301 | AS050 | 1.5"/50mm | 0.5 | 8 | 10 | 0.55 | 2.5 | 62 | 10.5 | 6.4 | -- | |
| 9024302 | AS075 | 1.5"/50mm | 0.75 | 14 | 10.5 | 0.75 | 3.5 | 62 | 13 | 9.3 | 4 | |
| 9024303 | AS100 | 1.5"/50mm | 1.0 | 20 | 11.5 | 0.9 | 4.7 | 65 | 15 | 11.7 | 7 | |
| 9024304 | AS150 | 1.5"/50mm | 1.5 | 30 | 12.5 | 1.1 | 5.8 | 68 | 19.6 | 16.2 | 12 | |

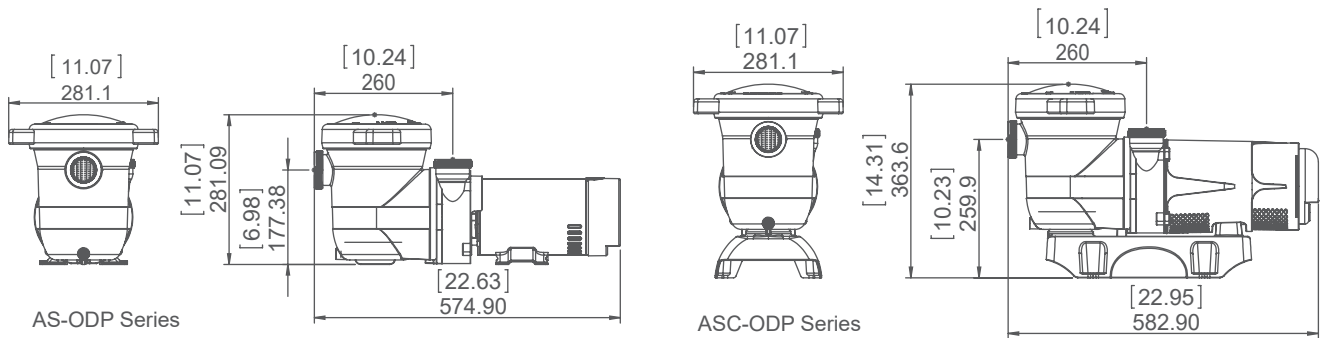
Technical Information (AS-ODP and ASC-ODP Series):

AS-ODP Series: with ODP motor and UL certificate

ASC-ODP Series: with ODP motor, UL certificate and motor shroud and elevated mounting base



Note: The performance curve above is for 60Hz models



| Code | Model | Speed | Voltage | Input Power | HP | Full Load Current (A) | Connection Size | Noise Level dB @ 1m |
|---------|---------------|--------|-------------|-------------|------|-----------------------|-----------------|---------------------|
| 9024101 | ASC075-ODP | Single | 115Vac 60Hz | 0.55kW | 0.75 | 6.2 | 1 ¼" - 1 ½" | 66 |
| 9024102 | ASC100-ODP | Single | 115Vac 60Hz | 0.75kW | 1.0 | 9.5 | 1 ¼" - 1 ½" | 68 |
| 9024103 | ASC100-II-ODP | Dual | 115Vac 60Hz | 0.75kW | 1.0 | 9.5 | 1 ¼" - 1 ½" | 68/52 |
| 9024104 | ASC150-ODP | Single | 115Vac 60Hz | 1.10kW | 1.5 | 10.5 | 1 ¼" - 1 ½" | 69 |
| 9024105 | ASC150-II-ODP | Dual | 115Vac 60Hz | 1.10kW | 1.5 | 10.5 | 1 ¼" - 1 ½" | 69/52 |
| 9024201 | AS075-ODP | Single | 115Vac 60Hz | 0.55kW | 0.75 | 6.2 | 1 ¼" - 1 ½" | 66 |
| 9024202 | AS100-ODP | Single | 115Vac 60Hz | 0.75kW | 1.0 | 9.5 | 1 ¼" - 1 ½" | 68 |
| 9024203 | AS100-II-ODP | Dual | 115Vac 60Hz | 0.75kW | 1.0 | 9.5 | 1 ¼" - 1 ½" | 68/52 |
| 9024204 | AS150-ODP | Single | 115Vac 60Hz | 1.10kW | 1.5 | 10.5 | 1 ¼" - 1 ½" | 69 |
| 9024205 | AS150-II-ODP | Dual | 115Vac 60Hz | 1.10kW | 1.5 | 10.5 | 1 ¼" - 1 ½" | 69/52 |

EMAUX WATER TECHNOLOGY CO., LTD

ADDRESS: Flat A-D, 20/F., Kai Bo 22, 22 Wing Kin Road,
Kwai Chung, Hong Kong
PHONE +852 2832 9880
www.emauxgroup.com

 **YOUR PREMIER SUPPLIER**

Available from: