

# Heat Pump

## B2 Series Heat Pump

### Product Features

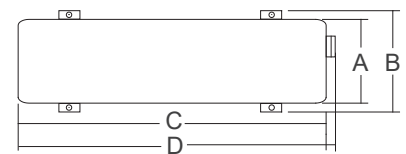
- Durable** The long-life heat exchanger is made by PVC & titanium tube, which can withstand prolonged exposure to pool water.
- Easy Operation** The unit is very easy to operate: switch it on and set the desired pool water temperature. Operates in a normal ambient temperature of 12-35°C.
- Quiet Operation** The unit comprises an efficient rotary compressor and a low-noise fan motor, which guarantee its quiet operation.
- Low Cost** The running costs are very low due to its high performance.



### Measuring Conditions

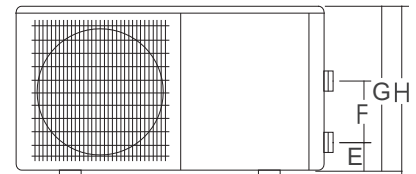
Heating : Dry bulb 24°C, Wet Bulb 19°C, Water entering temperature 27°C

Model	A (mm)	B (mm)	C (mm)	D (mm)	E (mm)	F (mm)	G (mm)	H (mm)
HP4.5B2	260	293	754	770	100	260	460	485
HP5.6B2	280	360	936	950	110	250	520	550
HP7.8B2	280	360	936	950	110	250	520	550
HP9.5B2	300	370	1010	1085	110	270	580	615



### Product Information

Model	Net Dimensions L x W x H (mm)	Packing Dimensions L x W x H (mm)	Net Weight (kg)	Gross Weight (kg)
HP4.5B2	754 x 293 x 485	760 x 295 x 490	36	39
HP5.6B2	936 x 360 x 550	1090 x 390 x 580	39	42
HP7.8B2	936 x 360 x 550	1090 x 390 x 580	54	57
HP9.5B2	1010 x 370 x 615	1170 x 415 x 645	63	67



Code	Model	Heating Capacity in A27°C/W27°C (W)	Heating Capacity in A15°C/W26°C (W)	Rated Heating Capacity (W/BTU)	Heating Input Power (W)	Heating Running Current (A)	Power Supply (V/PH/Hz)
88360703	HP4.5B2	5500	4000	4500/15300	1050	4.8	220V/1PH/50Hz
88360704	HP5.6B2	6200	4500	5600/18000	1250	5.7	220V/1PH/50Hz
88360705	HP7.8B2	8900	6100	7800/26500	1650	7.5	220V/1PH/50Hz
88360706	HP9.5B2	11500	8200	9500/32500	1978	10	220V/1PH/50Hz

Model	Controller	Number of Compressor	Compressor	Number of Fan	Input Power of Fan (W)	Fan Speed (RPM)	Noise Db (A)	Water Connection (mm)	Water Flow Volume (m³/h)	Water Pressure Drop (kpa)
HP4.5B2	Mechanical	1	Rotary	1	25	900	54	50	4-6	10
HP5.6B2	Mechanical	1	Rotary	1	25	900	55	50	4-6	12
HP7.8B2	Mechanical	1	Rotary	1	25	900	55	50	4-7	12
HP9.5B2	Mechanical	1	Rotary	1	30	890	57	50	4-7	15

# A Series Heat Pump



HP14A-26A



HP35A-50A



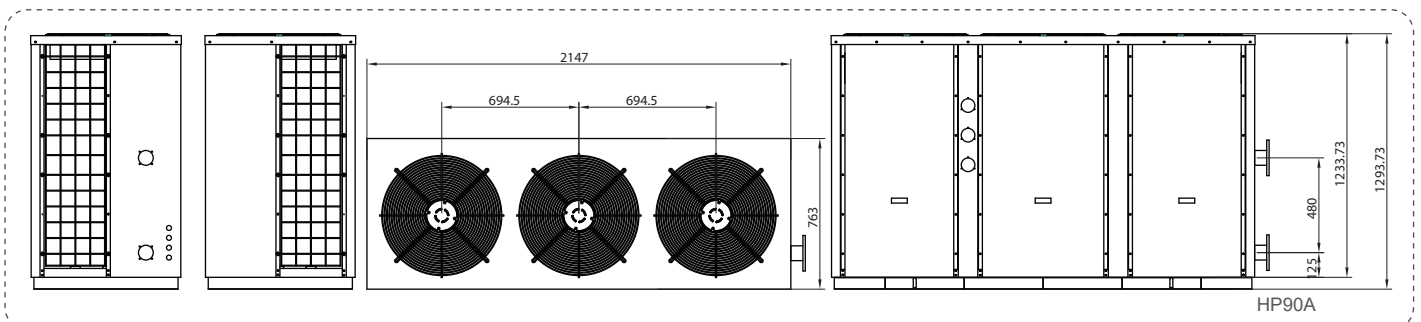
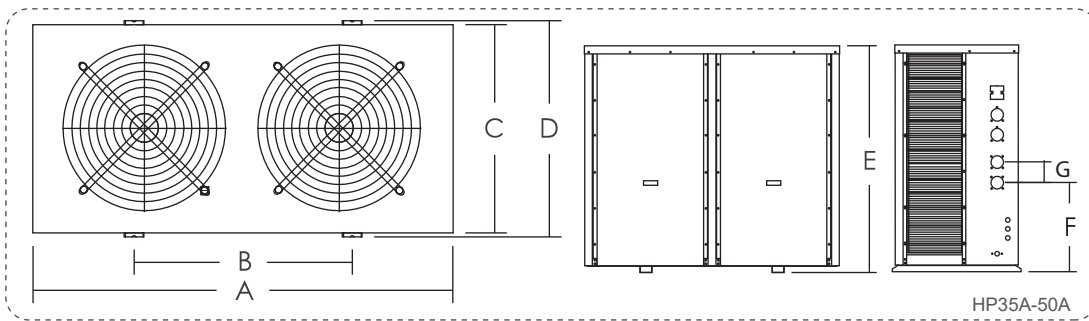
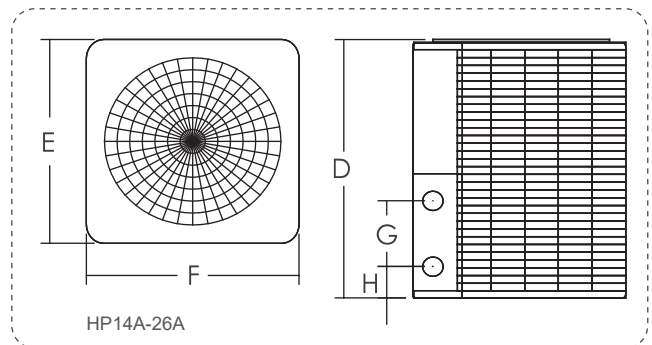
HP90A

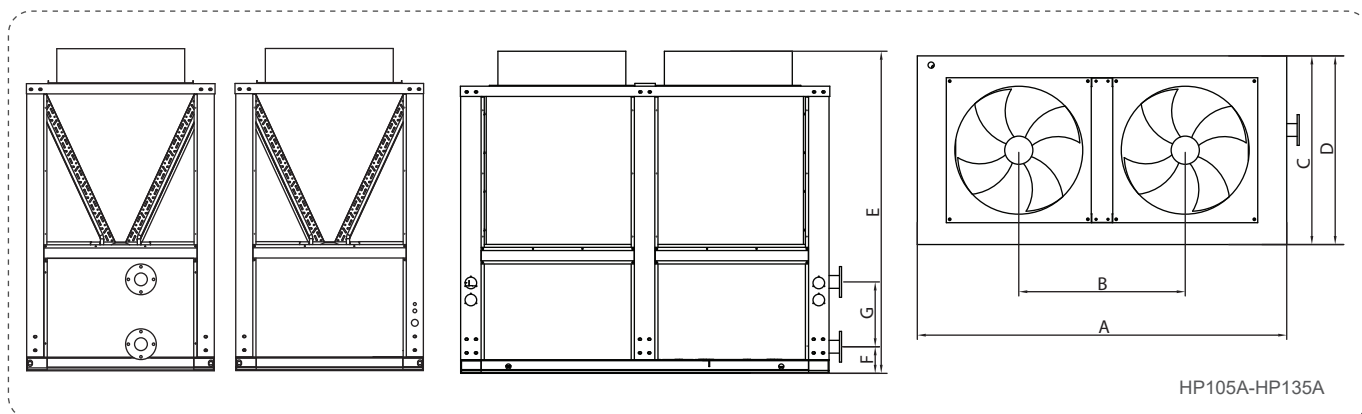


HP105A-135A

## Product Features

1. **High Efficiency** with a COP value up to 5.0 our heat pumps are very efficient when transferring heat from the air to the swimming pool water. You can save as much as 80 % of cost compared to an electrical heater.
2. **Long life-span** The heat exchanger is made by PVC & Titanium tube, which can withstand and prolong exposure to swimming pool water.
3. **Easy Control and Operation** Simply switch it on and set the desired pool water temperature. The system includes a micro-computer controller, allowing all operation parameters to be set. Operation status can be displayed on the controller with LCD display.





HP105A-HP135A

## Product Information

Model	Net Dimension L x W x H (mm)	Packing Dimension L x W x H (mm)	Net Weight (kg)	Gross Weight (kg)
HP14A	660 x 660 x 860	770 x 740 x 1010	105	113
HP17A	660 x 660 x 960	770 x 740 x 1110	108	120
HP21A	660 x 660 x 960	770 x 740 x 1110	111	123
HP26A	660 x 660 x 960	770 x 740 x 1110	112	125
HP35A	1448 x 730 x 1080	1630 x 830 x 1350	242	270
HP50A	1448 x 730 x 1280	1630 x 830 x 1450	243	272
HP90A	2150 x 770 x 1280	2275 x 900 x 1500	250	280
HP105A	2160 x 1100 x 2030	2200 x 1220 x 2150	600	630
HP135A	2160 x 1100 x 2030	2200 x 1220 x 2150	630	660

## Measuring Conditions

Heating : Dry bulb 24°C, Wet Bulb 19°C, Water entering temperature 27°C  
 Cooling : Dry bulb 35°C, Wet Bulb 24°C, Water entering temperature 27°C

Model	D (mm)	E (mm)	F (mm)	G (mm)	H (mm)
HP14A	860	660	660	320	95
HP17A	860	660	660	450	95
HP21A	960	660	660	450	95
HP26A	960	660	660	500	95

Model	A (mm)	B (mm)	C (mm)	D (mm)	E (mm)	F (mm)	G (mm)
HP35A	1448	690	700	770	1080	435	135
HP50A	1448	690	700	770	1280	506	120
HP90A	2150	690	700	770	1280	125	480
HP105A	2160	950	1100	1100	2030	180	380
HP135A	2160	950	1100	1100	2030	180	420

Code	Model	Heating Capacity in A27°C/W27°C (W)	Heating Capacity in A15°C/W26°C (W)	Rated Heating Capacity (W/BTU)	Heating Input Power (W)	Heating Running Current (A)	Rated Cooling Capacity (W/BTU)	Cooling Input Power (W)	Cooling Running Current (A)	Power Supply (V/PH/Hz)
88360108	HP14A	15800	11000	14000/48000	2880	13.3	8600/48000	2980	13.8	220V/1PH/50Hz
88360109	HP17A	19000	12250	17000/60000	3500	16.1	10300/35200	3600	16.9	220V/1PH/50Hz
88360210	HP21A	23000	14800	21000/73000	4250	7.9	13500/46000	4650	8.3	380V/3PH/50Hz
88360211	HP26A	27500	18000	26000/90000	5300	9.5	16000/55000	5730	10.5	380V/3PH/50Hz
88360212	HP35A	39000	25000	35000/120000	7100	12.3	29000/100000	9600	17.3	380V/3PH/50Hz
88360214	HP50A	55000	36000	50000/170000	10300	18.4	36000/123000	12100	21.6	380V/3PH/50Hz
3166360001	HP90A	93000	61000	90000/306000	17500	31.2	58000/200000	18800	33.5	380V/3PH/50Hz
3166370001	HP105A	120000	70000	105000/357000	22800	40.3	78000/266000	25100	44.8	380V/3PH/50Hz
3166380001	HP135A	140000	92000	135000/459000	26800	47.8	96000/327000	28500	50.9	380V/3PH/50Hz

Model	Controller	Quantity of Compressor	Compressor	Quantity of Fan	Input Power of Fan (W)	Fan Speed (RPM)	Noise Db (A)	Water Connection (mm)	Water Flow Volume (m³/h)	Water Pressure Drop (kpa)
HP14A	Electronic	1	Scroll	1	200	850	60	50	5-8	15
HP17A	Electronic	1	Scroll	1	200	830	60	50	5-8	16
HP21A	Electronic	1	Scroll	1	200	830	60	50	6-10	16
HP26A	Electronic	1	Scroll	1	200	830	60	50	6-12	16
HP35A	Electronic	2	Scroll	2	200 x 2	830	61	63	8-15	18
HP50A	Electronic	2	Scroll	2	200 x 2	830	61	63	8-15	18
HP90A	Electronic	3	Scroll	3	200 x 3	830	61	63	35-55	28
HP105A	Electronic	4	Scroll	2	750 x 2	830	61	75	45-55	31
HP135A	Electronic	4	Scroll	2	750 x 2	830	61	75	55-65	32

# B Series Heat Pump

## Product Features

- High Efficiency** With a COP value up to 5.0, our heat pumps are very efficient when transferring heat from the air to the swimming pool water. Savings as much as 80 % of running costs are possible compared to an electrical heater.
- Long life-span** The heat exchanger is made by PVC & Titanium tube, which can withstand and prolong exposure to pool water.
- Easy Control and Operation** Easy control and operation by simply switching on and setting the desired water temperature. The built-in computerised controller permits the setting of the operational. The status can be displayed in the LCD display.

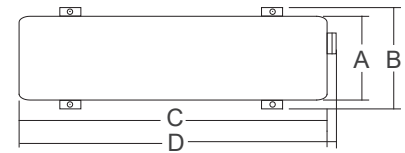


## Measuring Conditions

Heating : Dry bulb 24°C, Wet Bulb 19°C, Water entering temperature 27°C

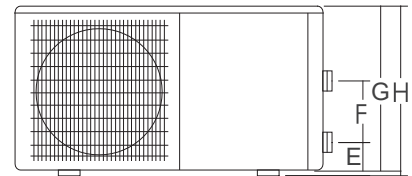
Cooling : Dry bulb 35°C, Wet Bulb 24°C, Water entering temperature 27°C

Model	A (mm)	B (mm)	C (mm)	D (mm)	E (mm)	F (mm)	G (mm)	H (mm)
HP5.6B	280	360	936	950	110	250	520	550
HP7.8B	280	360	936	950	110	250	520	550
HP9.5B	300	370	1010	1085	110	270	580	615
HP14B	420	470	1100	1150	80	350	664	700



## Product Information

Model	Net Dimensions L x W x H (mm)	Packing Dimensions L x W x H (mm)	Net Weight (kg)	Gross Weight (kg)
HP5.6B	936 x 360 x 550	1090 x 390 x 580	53	56
HP7.8B	936 x 360 x 550	1090 x 390 x 580	54	57
HP9.5B	1010 x 370 x 615	1170 x 415 x 645	63	67
HP14B	1170 x 470 x 690	1240 x 500 x 750	95	105



Code	Model	Heating Capacity in A27°C/W27°C (W)	Heating Capacity in A15°C/W26°C (W)	Rated Heating Capacity (W/BTU)	Heating Input Power (W)	Heating Running Current (A)	Rated Cooling Capacity (W/BTU)	Cooling Input Power (W)	Cooling Running Current (A)	Power Supply (V/PH/Hz)
88360304	HP5.6B	6100	4500	5600/18000	1083	5.0	3200/11000	1030	4.7	220V/1PH/50Hz
88360305	HP7.8B	8900	6500	7800/26500	1625	7.5	4800/16500	1550	7.1	220V/1PH/50Hz
88360306	HP9.5B	11500	8000	9500/32500	1938	8.8	5900/20000	1910	8.7	220V/1PH/50Hz
88360508	HP14B	15500	11000	14000/48000	2880	13.3	8600/29500	2980	13.8	220V/1PH/50Hz

Model	Controller	Number of Compressor	Compressor	Number of Fan	Input Power of Fan (W)	Fan Speed (RPM)	Noise Db (A)	Water Connection (mm)	Water Flow Volume (m³/h)	Water Pressure Drop (kpa)
HP5.6B	Electronic	1	Rotary	1	25	950	48	50	2-4	12
HP7.8B	Electronic	1	Rotary	1	25	950	48	50	3-5	12
HP9.5B	Electronic	1	Rotary	1	30	950	48	50	4-7	15
HP14B	Electronic	1	Scroll	1	60	950	50	50	5-8	15

## EMAUX WATER TECHNOLOGY CO., LTD

Flat A-D, 20/F., Kai Bo 22, 22 Wing Kin Road,

Kwai Chung, Hong Kong

PHONE +852 2832 9880

www.emauxgroup.com

Pool & Spa Equipment

YOUR PREMIER SUPPLIER

Available from:

ALL SPECIFICATIONS ARE SUBJECT TO CHANGE WITHOUT NOTICE

© 2021 EMAUX WATER TECHNOLOGY CO., LTD. ALL RIGHTS RESERVED.