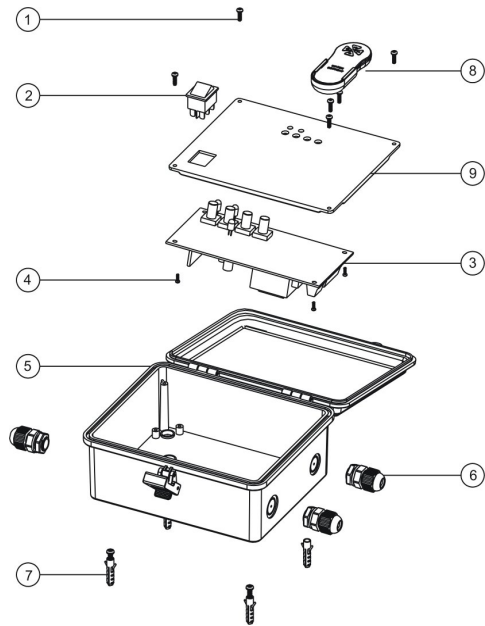


PART LIST



Key No.	Part No.	Description	Qty
1	03011007	M4×12 Screws	4
2	04014062	Lighted Switch	1
3	E110102	Receiving Electronic Board (220V 50Hz/60Hz)	1
3	E110103	Receiving Electronic Board (110V 50Hz/60Hz)	1
4	03011196	M3×6 Screws	6
5	89480101	Control Box	1
6	04014013	Cable Gland	3
7	87013019	Plastic Fitting	4
7	03011023	M5×35 Screws	4
8	E110105	Remote control with Battery (EMAUX)	1
9	01360015	Panel Board	1

RGB SERIES UNDERWATER LIGHT CONTROL BOX

Model: RGB-CB

Code:08040009(220-240V 50/60Hz) 08040020(110V 60Hz)

Keep this manual safe for future reference



APPLICABLE FOR EMAUX RGB SERIES UNDERWATER LIGHT:

LED-P100/LED-TP100/LED-CP100/E-Lumen/EL-NP300/EL-H200/EL-S100/EL-S300/ELCOMP

Warning:

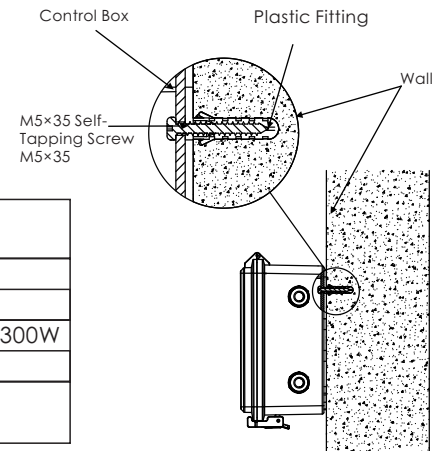
This electrical control box must be installed by a licensed or certified electrician or a qualified serviceman in accordance to the requirements of your government standard or local authorities. Improper installation will create electric hazards which could result in serious injury, death as well as damage to the property.

CUT THE POWER BEFORE SERVICE AND MAINTAINANCE!

INSTALLATION EXPLAIN

1.Remove the Panel from the Control Box, position the box to the desired fitting place and mark on the wall with the location of the drilled holes, then drill 4 holes of $\varnothing 8\text{mm}$ on the marked position and insert a plastic fitting, secure the box by fastening 4 screws of M5x35 to the plastic fittings(See diagram below).

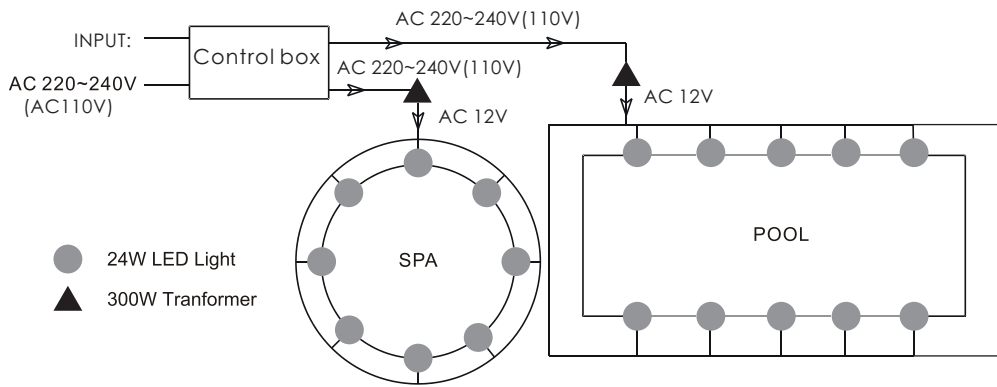
CONTROL BOX INSTALLATION DIAGRAM



SPECIFICATIONS

Work temperature	0-35°C
Input voltage	AC220-240V, 50/60Hz AC110V,60Hz
Output voltage	AC220-240V, 50/60Hz, 2*300W AC110V,60Hz, 2*300W
Frequency RF	433.92MHz

CONTROL BOX WIRING DIAGRAM



Warning: load of the control box should not exceed 2*300W.

CONTROLS INDEX

- Switch on the "POWER" switch to turn on the main power, the POWER LED will light up.
- Press the "POOL" button to switch ON/OFF or change color for all the underwater lights connected to the POOL outlet.
- Press the "SPA" button to switch ON/OFF or change color for all the underwater lights connected to the SPA outlet.
- Press the "POOL & SPA" button to switch ON/OFF or change color for all the underwater lights connected to both POOL and SPA outlet (Remark: To sync the underwater lights connected to the POOL and SPA outlet, press the "RESET" button).
- Press the "RESET" button to reset all the underwater lights connected to the POOL and SPA outlet, to white color.

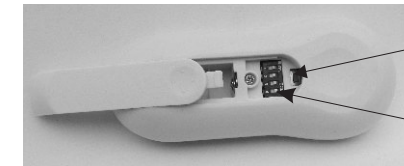
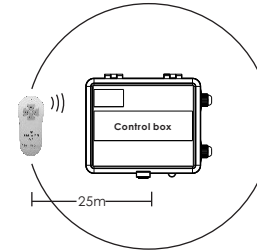
PATTERN TABLE

No.	PATTERNS	No.	PATTERNS
1	Static white	6	Static yellow
2	Static blue	7	Three-color change
3	Static green	8	Seven-color change
4	Static cyan	9	Seven-color gradual change (Fast)
5	Static purple	10	Seven-color gradual change (Slow)



Setting of the Remote Control

Operation distance for the remote control is 25m.



Sync button
Frequency Setting

Each control box is associated with a remote control. To use a single remote to control a multiple number of control boxes, you would need to configure the Frequency at the back of the remote control. The Frequency of the Remote would then need to be synced with all the control boxes.

- Slide open the back of Remote Control
- Set the Frequency
- Turn on Control Box(es)
- Sync the Remote to the Control Box(es)
- Press the Sync Button until the lights on the Control Boxes turn



If you have multiple control boxes and you want to use a remote control for a specific control box, you must set the Frequency on the remote control to a unique combination.

- Slide open the back of Remote Control
- Set a unique Frequency on the Remote Control
- Turn on the Control Box associated with that particular Remote Control
- Sync the Remote to the Control Box
- Press the Sync Button until the lights on the Control Box turn on
- Once synced, turn off the control box and move to the next set of Control Box and Remote. Repeat above steps.