

AQUA-MINI Series Centrifugal Pump with Timer Installation & Operating Instructions

Applicable for:

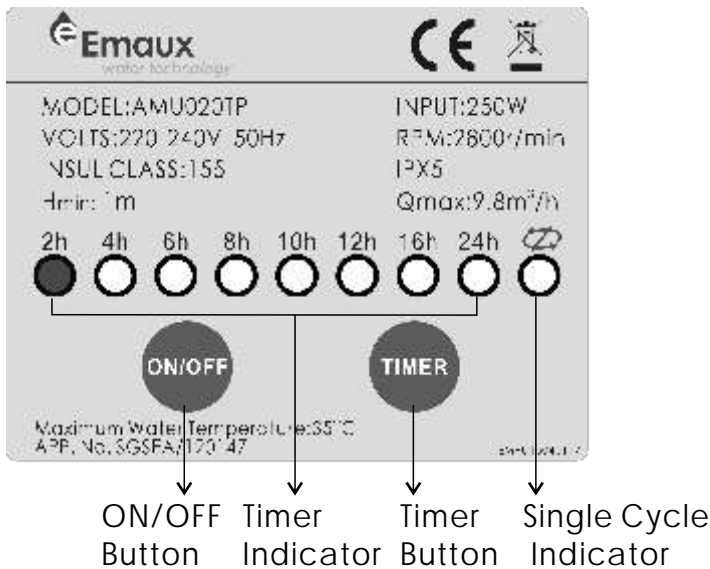
AMU012TP/AMU012T /AMU016TP/AMU016T /AMU020TP/AMU020T

Keep this manual for future reference.

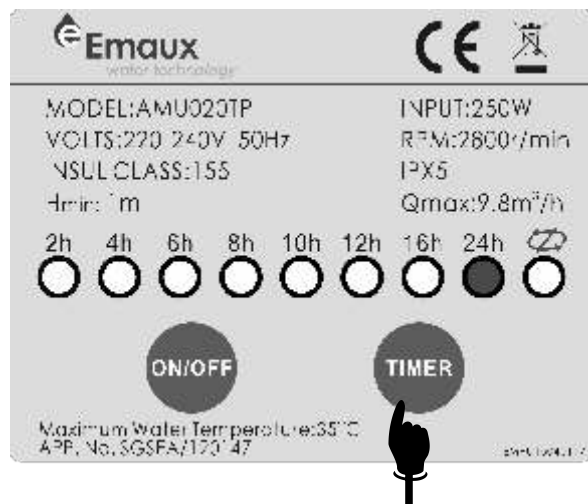
TIMER SETTING

This function description for 220V/50Hz 220V/60Hz 110V/60Hz

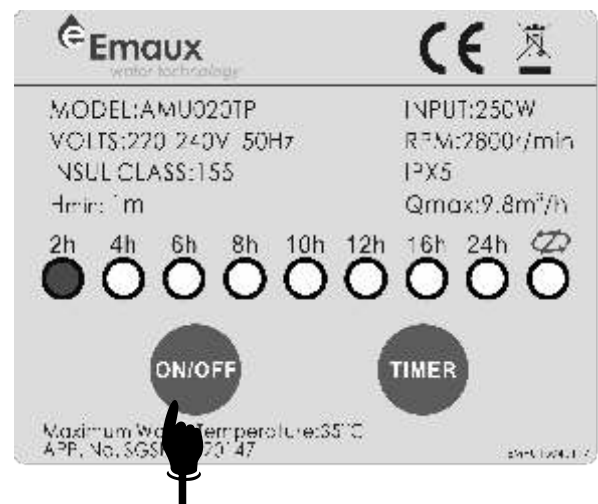
Control Panel



Continuous Mode

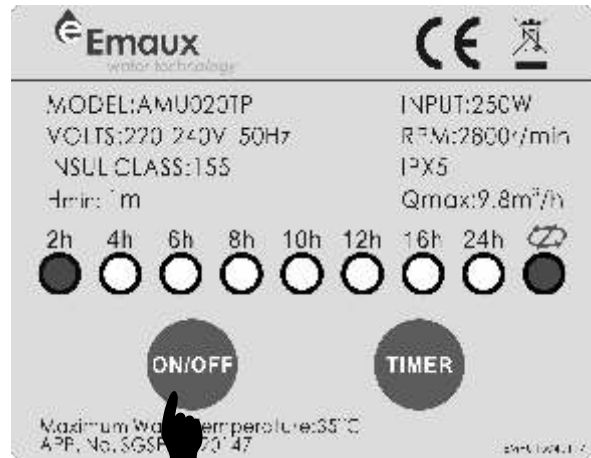
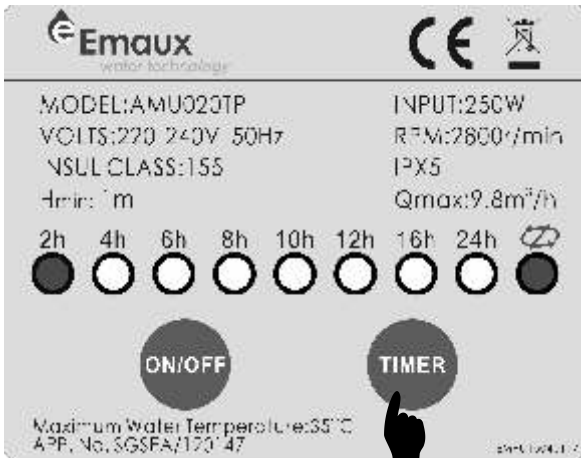


After turn on the pump, the default setting is 24 hours continuous operation. To set the desired operation period, this can be done by pressing the timer button (2h 4h 6h 8h 12h 16h 24h 2h).



For example, if you set the timer to 2h and press [on] at 08:00, the pump will operate for 2 hours within the 24 hours period zone (indicated by the 2h light flashing; the light will stop flashing when the pump stops). The pump will start again for 2 hours at 08:00 the following day.

Single Cycle Mode



To switch to Single Cycle Mode , press [timer] for about 3 seconds (the Single Cycle Indicator will come on).

To change cycle time, press the [timer] button again. It works in a sequence and will change from 2h 4h 6h 8h 10h 12h 16h 24h 2h.

When the timer is set to 2h, the pump will operate and stop after 2 hours until the pump is switched on again.

Timer Initiation

(Note: Make sure the power supply is cut off.)



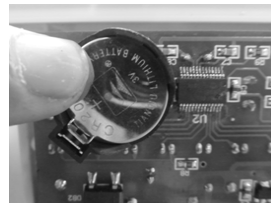
Unscrew the 4 screws on the lid of the terminal box and remove the lid.



Remove the battery.



Remove the rubber film on the surface of the battery.



Replace the battery.



Replace the lid of the terminal box and tighten the 4 screws with a screwdriver.