

Control

- 1) When the light is connected to the transformer directly, the on/off switch controls the colour changes (Associating a light with a transformer and an on/off switch is recommended; If you want all the lights to change colour at the same time, install a master switch, Figure 1).
- 2) If applicable, when the light is connected to the transformer and the transformer to the optional control box, the control panel on the control box and its remote control controls the colour changes (See the Control Box Manual for details).

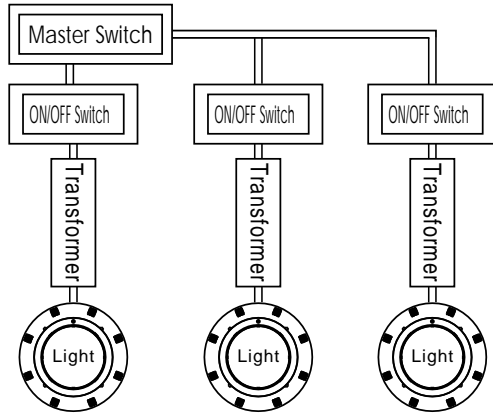


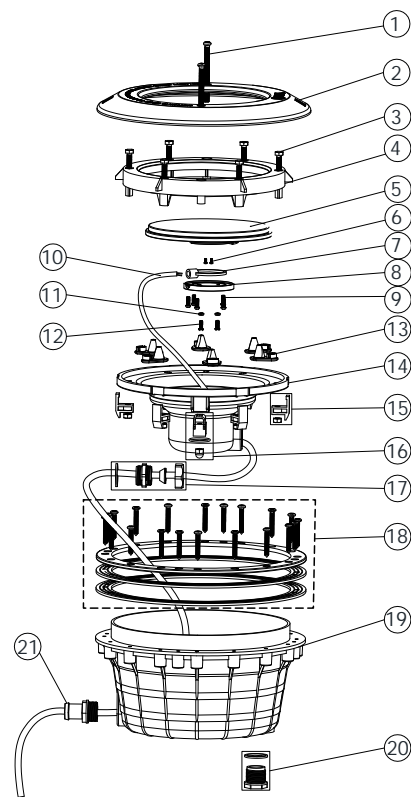
Figure 9

Maintenance of the Lights

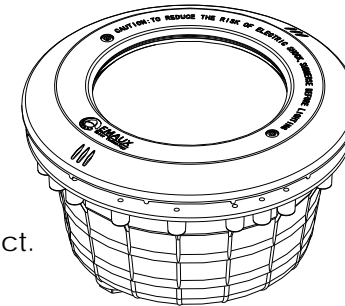
- Do not leave the lights "on" above water for longer than 1 minute.
- Do not leave the lights directly under sunlight. Fill the pool with fresh water as soon as possible after the lights are installed.
- Before switching on the lights, check whether the lights are fully submerged underwater and the circuit boxes are running properly.
- This unit does not need any kind of maintenance. If it is not working properly, please contact EMAUX authorized dealer where you purchase the unit from.
- Warranty will be voided if the Emaux Underwater Light was dismantled by unauthorized personnel.

REPLACEMENT PARTS

Item No.	Part No.	Description English	Qty
1	03011326	M6 *80 Screws	2
2	03017075	Stainless Steel Lid (MAUX)	1
	01050008	Plastic Lid (MAUX)	1
3	03011327	M6 *55 Hexagon Head Screws	6
4	01100011	Face Ring	1
5	04011153	Ultra-Thin 252 LED panel 20W, Warm white	1
	04011151	Ultra-Thin 252 LED panel 20W, Cool white	
	04011152	Ultra-Thin 252 LED panel 20W, RGB	
	04011150	Ultra-Thin 252 LED panel 20W, Single Blue	
	04011107	Ultra-Thin 441 LED panel 35W, Warm white	
	04011105	Ultra-Thin 441 LED panel 35W, Cool white	
	04011106	Ultra-Thin 441 LED panel 35W, RGB	
	04011104	Ultra-Thin 441 LED panel 35W, Single Blue	
	04011181	Ultra-Thin 531 LED panel 50W, Warm white	
	04011179	Ultra-Thin 531 LED panel 50W, Cool white	
6	03011360	M3*5 round head screw	2
	02021085	Silica gel ring	1
7	01050105	Bottom cover	1
8	03011361	M4*10 round head self-tapping screw	5
9	04013004	2 *1 .5mm ² *2 .5m (D8)Cable	1
10	02010285	NBR ring	2
11	03012125	M4*10 flat head self-tapping screw	2
12	01051253	fixed position plate	6
13	01230003	Waterproof Cover	1
14	89041602	Nut Fitting	6
15	89041603	Fastening Dog	2
16	89041604	Water Joint Fittings for Cable	1
17	89041608	Vinyl pool fitting for NP300	1
18	01050010	NP300 Lights Niche	1
19	89041605	Plug with O-Ring	1
20	01171106	Joint for wire pipe	1



EL-NP300 Series Underwater Light User Manual



SAFETY WARNINGS

- Only qualified electrician is allowed to carry out the installation of this product.
- Avoid direct contact with electrical power.
- Respect all regulations in effect for preventing accidents.
- All units are required to be disconnected from the main electricity before any operation of maintenance.
- Never handle with wet hands and feet.
- This unit is design for use only when fully submerged in fresh water, connecting with a safety transformer
- Never operate this Underwater Light for more than 1 minute unless it is totally submerged in water.
- Be sure power is off before installing or removing LED plate. Allow LED plate to cool before replacing.
- This product should be installed according to your local electrical installation ordinances and regulations
- Maximum Depth for Light installation at 1 meter.
- Maximum Water Temperature Range for light operation 0 - 30°C.
 - for type Z attachments
 The external flexible cable or cord of this luminaire cannot be replaced; if the cord is damaged, the luminaire shall be destroyed.

SPECIFICATION

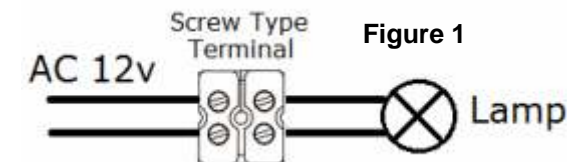
- A) Electrical Specification : 1) Voltage : AC12V 2) Frequency : 50/60Hz 3) Power : 20W / 35W / 50W.
 B) Colour change options(For RGB version) :

1	White	2	Green
3	Blue	4	Green+Blue
5	Red+Green	6	Red+Blue
7	Mode A: Blue+ Gradual Red	8	Mode B: Green+Gradual Red
9	Mode C: Blue+Gradual Green	10	Mode D: Blue+Gradual Red
11	Mode E: RGB Colour Sequence: Red>Green>Blue	12	Auto Colour Change
13	Mode F: Four Colour Sequence: Red>Green>Blue >Purple	14	Rapid Auto Colour Change

General Information

Never install in vertical position with the lamp facing upwards / downwards, Intended for fresh & salt water swimming pool

- A) Ensure that the electrical system of your pool conforms to the following requirements of all local codes and ordinances. A licensed or certified electrician must install the electrical system to meet or exceed those requirements before the niche (fixture-housing) is installed.
- B) Installation Guideline:
- 1) The top of the light lens be at least 18 inches (457mm) below the water level. Some installers position the niche 24 inches (610mm) below anticipated water level to avoid any inspection authority issues with this requirement.
 - 2) The lighting circuit must have a Ground Fault Circuit Interrupter (GFCI), and an appropriately rated circuit breaker.
 - 3) The junction box or the low voltage transformer is located at least 8 inches (203mm) above water level and at least 48 inches (1912mm) from the edge of the pool



- 4) The light fixture and all metal items within 5 feet (1534mm) of the pool must be properly electrically bonded.
- 5) The niche must be properly installed so that the "Top" sign inside is at the 12 o'clock position and that the top edge of the underwater light's lens is at least 18 inches (457mm) below the surface of the water in the pool
- 6) The niche is properly electrically bonded and grounded via a ground connector located at the rear of the niche
- C) Terminal Block must meet the IEC60988-2-1 standard having the rated connecting capacity of 4.0mm², use of screw type terminal at least 25A rated current, mounted inside junction boxes, see figure1 below
- D) Use only EMAUX lighting fixtures in this niche to ensure proper bonding and grounding connections.
ø (For US user, please also follow the requirements of the National Electrical Code (NEC))

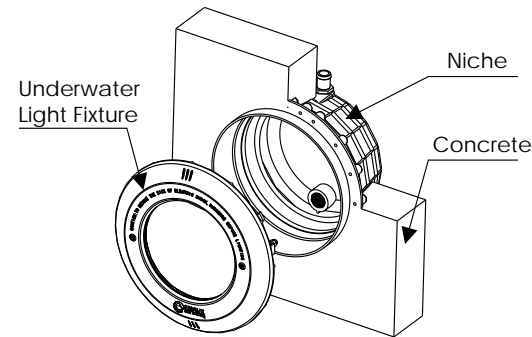
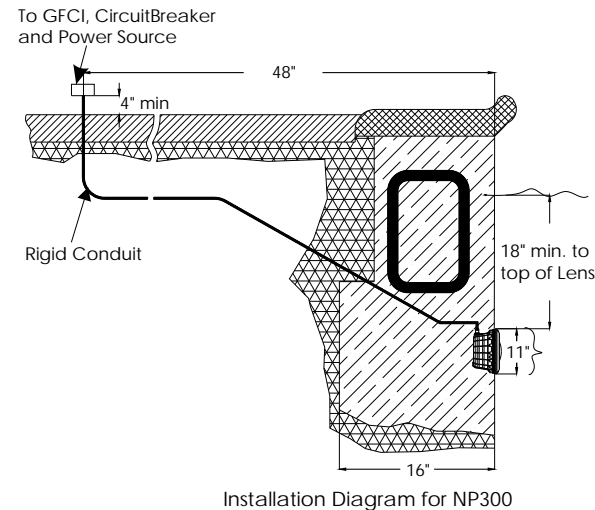


Figure 2

Niche Installation

Concrete swimming pool

- 1) To install the underwater lighting in a concrete swimming pool, the niche should be fixed in the wall of the swimming pool. Be sure the top of the niche be at least 18 inches (457mm) below the water level, and the TOP sign of the niche is at the 12 o'clock position.
- 2) There are two conduits at the back of the niche, please chose one which is most convenient to your wiring design and seal the other one with the plug provided.
- 3) Concreting the pool as shown in figure2.

Concrete swimming pool with vinyl liner

- 1) To install the underwater lighting in a concrete swimming pool with vinyl liner, the niche should be fixed in the wall of the swimming pool. Be sure the top of the niche be at least 18 inches (457mm) below the water level, and the TOP sign of the niche is at the 12 o'clock position.
- 2) There are two conduits at the back of the niche, please chose one which is most convenient to your wiring design and seal the other one with the plug provided.
- 3) Punch or drill the holes in the vinyl liner as stated in figure 3.
- 4) Install the Niche as shown in figure 4.

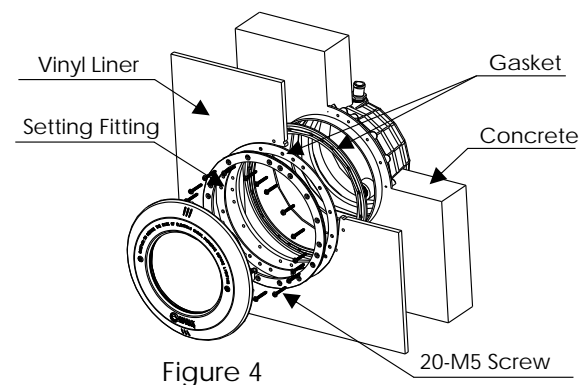
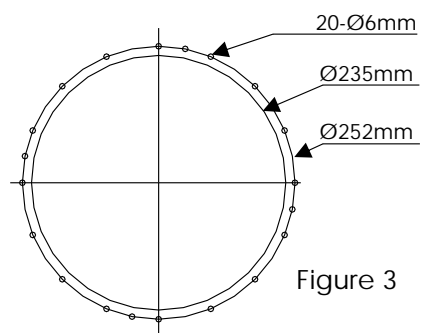


Figure 4

Stainless steel lid and plastic lid interchange

- 1) Remove the old lid by unscrewing the two M6 screw on the lid. Note that the O ring, nuts slide block and the fastening dog will be loosen too by removing the M6 screws on the lid, as shown in figure 5.
- 2) Install the new plastic lid or stainless steel lid as shown in figure 6, make sure the screws hole are aligned. Fasten the M6 screw on the lid.

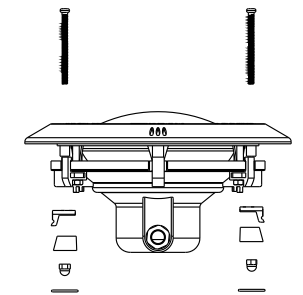


Figure 5

Underwater light fixture installation

- 1) Feed cord through conduit to junction box, leaving at least 59 inches (1500mm) of cord at the light fixture to coil around the back of the light, such that the light fixture would be brought back to the pool deck for service.
- 2) Make the wire connection to the junction box.
- 3) Insert the entire underwater light fixture into the niche. In order to obtain good pool lighting it is important that the company logo of Emaux of the lid is located on the 6 o'clock position.
- 4) Screw in the two M6 x 75 screws on the lid until the fastening dog is secured in the inner walls of the niche as shown in figure 7.
- 5) Before operating the light for more than 10 seconds, fill the pool with water until the underwater light is completely submerged in water. To check for proper operation, turn on main street or circuit breaker as well as the switch that operates the underwater light itself.

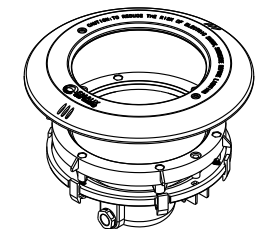


Figure 6

Lamp Replacement

- 1) To remove the underwater light to the pool deck, loosen the two screws on the lid until the fastening dog yields sufficiently so that the underwater light unit can be separated from the niche.
- 2) Unscrew the 6 nuts which secure the lid to the base of the underwater light as shown in figure 8.
- 3) To take out the fixed position plate from panel to replace the LED panel.

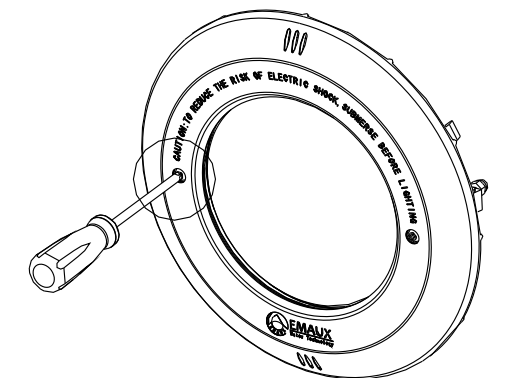


Figure 7

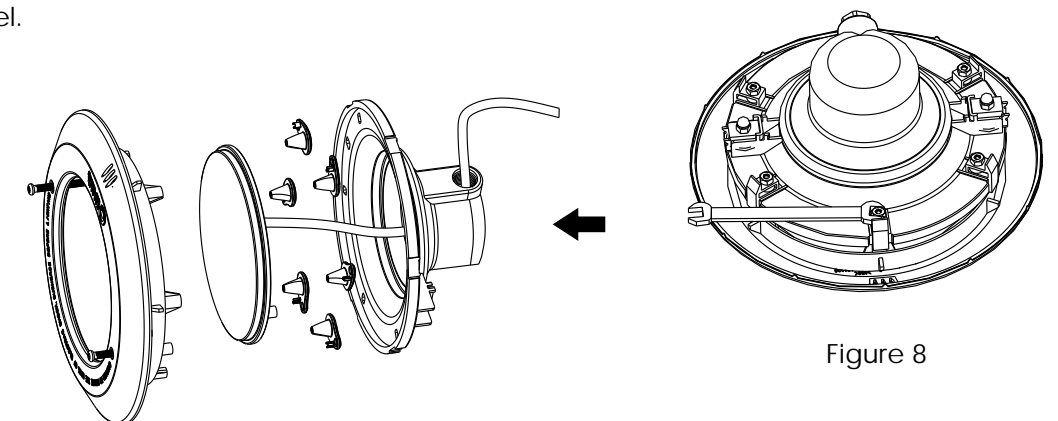


Figure 8