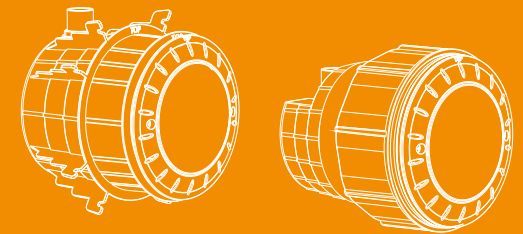




E-Lumen X SERIES

ZIRCON Installation and Operation manual



EMAUX WATER TECHNOLOGY CO., LTD
ADDRESS FLAT A-D, 20/F., KAI BO 22, 22 WING KIN ROAD,
KWAI CHUNG, HONG KONG
PHONE +852 2832 9880

USER MANUAL

 STRIVE FOR CLEAR WATER

www.emauxgroup.com

IP68 **CE**  **RoHS**
COMPLIANT
2002/95/EC

Model: E-Lumen X Series

EMLI21072207

TABLE OF CONTENT

PAGE	
3 1. IMPORTANT SAFETY AND INSTALLATION INSTRUCTIONS
3 2. PRODUCT INTRODUCTION
	2.1 BASIC ON/OFF MODE
	2.2 COLORTOUCH MODE
5 3. LIGHT SPECIFICATION
	3.1 ELECTRICAL
	3.2 DIMENSIONS
	3.3 COLOR MODE
6 4. INSTALLATION
	4.1 WIRING DIAGRAM
7 5. LAMP INSTALLATION
	5.1 ZIR25-C CONCRETE POOL
	5.2 ZIR25-V
12 6. MAINTENANCE OF THE LIGHTS
13 7. SPARE PART LIST
15 8. TERMS OF THE WARRANTY

8. TERMS OF THE WARRANTY

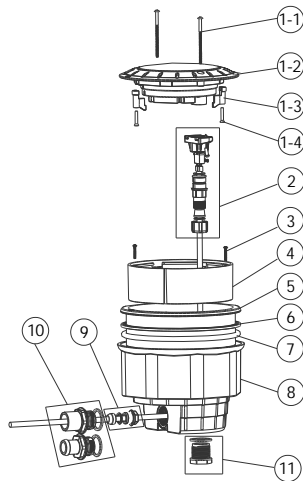
As original purchaser of this equipment have purchased from Emaux Water Technology Co Ltd, through Authorized International Distributor or Dealer, warrants its products free from defects in materials and workmanship under normal use during warranty period. The warranty period begins on the day of purchase and extends only to the original purchaser. It is not transferable to anyone who subsequently purchases the product from you. It excludes all expendable parts.

During the warranty period, Emaux authorized reseller will repair or replace defective parts with new parts or, at the option of Emaux, serviceable used parts that are equivalent or superior to new parts in performance.

This Limited Warranty extends only to products purchased from Emaux authorized reseller. This Limited Warranty does not extend to any product that has been damaged or rendered defective

1. as a result of accident, misuse or abuse;
2. as a result of an act of God;
3. by operation outside the usage parameters stated herein;
4. by the use of parts not manufactured or sold by Emaux;
5. by modification of the product;
6. as a result of war or terrorist attack; or
7. as a result of service by anyone other than Emaux authorized reseller or authorized agent.

EXCEPT AS EXPRESSLY SET FORTH IN THIS WARRANTY, EMAUX MAKES NO OTHER WARRANTIES EXPRESSED OR IMPLIED, INCLUDING ANY IMPLIED WARRANTIES OR MERCHANTABILITY AND FITNESS FOR A PARTICULAR PURPOSE. EMAUX EXPRESSLY DISCLAIMS ALL WARRANTIES NOT STATED IN THIS LIMITED WARRANTY. ANY IMPLIED WARRANTIES THAT MAY BE IMPOSED BY LAW ARE LIMITED TO THE TERMS OF THIS EXPRESS LIMITED WARRANTY.



Key No.	Part No.	Description	QTY
1-1	112010115	Screw M3.5*62(316)	2
1-2	440547998	20 LEDs Panel 25W Color	1
1-3	440647771	Pillar	2
1-4	440647772	Screw M3.5*25(316)	2
1	E042801	20 LEDs Panel Suite 25W Color for ZIR25-C/V (Composition of 1-1,1-2,1-3,1-4)	1
2	E042802	Retro-fit Connector(For ZIRCON,with cable 2.5m)	1
2	105108117	Cable 2.5m(For ZIRCON)	1
3	112010110	Screw M3*18.5(316)	2
4	440427741	Clamp Ring	1
5	440087741	Lights Niche	1
6	111040067	Rubber Gasket	1
7	111040068	Rubber O-Ring	1
8	440017741	Nut	1
9	E042803	ZIRCON Water Joint Fittings for Cable	1
10	E042704	Joint for wire & pipe Suite TOPAZ	1
11	89041605	Plug with O-Ring	1

1. IMPORTANT SAFETY AND INSTALLATION INSTRUCTIONS

Please read the manual carefully before commencing installation. This manual contains important information about the correct installation and operation of ZIRCON lights.

1. Only qualified electrician is allowed to carry out the installation of this product.
2. Avoid direct contact with electrical power.
3. Respect all regulations in effect for preventing accidents.
4. All units are required to be disconnected from the main electricity before any operation of maintenance.
5. For safe and proper installation, ensure that those parts supplied with the produce are used.
6. Never handle with wet hands and feet.
7. This unit is design for use only when fully submerged in fresh water, connecting with a safety transformer
8. This product should be installed according to your local electrical installation ordinances and regulations.
9. Due to the corrosive nature of unbalanced pool chemicals, please keep you pool water is acid-base balanced prior to installation, and ensure the longevity of these lights.
10. If the external flexible cable or cord of this luminaire is damaged, it shall be exclusively replaced by the manufacturer or his service agent or a similar qualified person in order to avoid a hazard.
11. Check that there is enough cable behind light to allow for servicing above water, preferably at ground-level pool-side.
12. Never operate this Underwater Light for more than 1 minute unless it is totally submerged in water.
13. You lights require cleaning at any time, be sure to a mild detergent or other ways that don't damage to the lights.
14. Be sure power is off before installing or removing LED plate. Allow LED plate to cool before replacing.
15. Maximum Depth for Light installation at 1.2 meter.
16. Maximum Water Temperature Range for light operation 0-25°C

For non replacable lightsources: "The light source of this luminaire is not replaceable; when the light source reaches its end of life the whole luminaire shall be replaced".

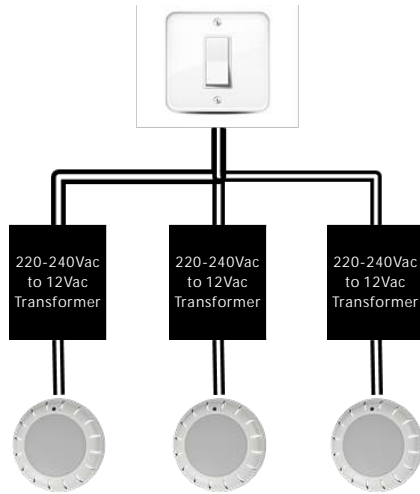
For operation only with safety isolating transformer conforming with AS/NZS 61558 series.

2. PRODUCT INTRODUCTION

The wall mount retrofit swimming pool underwater light is designed to latest LED lighting technology. There are two 30 second self-determine operating mode which is fully compatible to 50Hz or 60Hz input voltage frequency. When the lights use the same power source, they will be self-synchronize during color change mode without color alignment reset. The light include RGB color LED, individual warm and cool white, 5 different LED color in total. The two mode can't be applied at the same time.

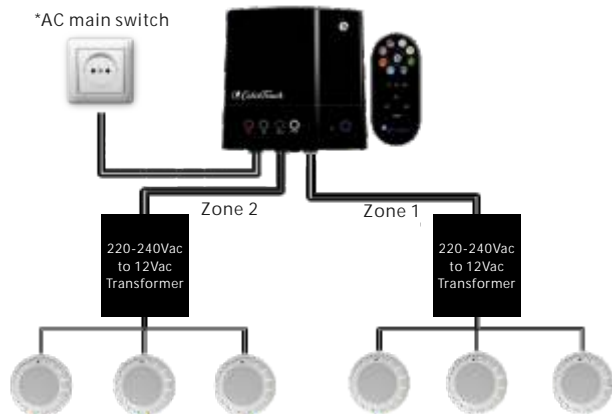
2.1 BASIC ON/OFF MODE

When the light is connected to the transformer directly, to on/off the main switch to controls the color changes.



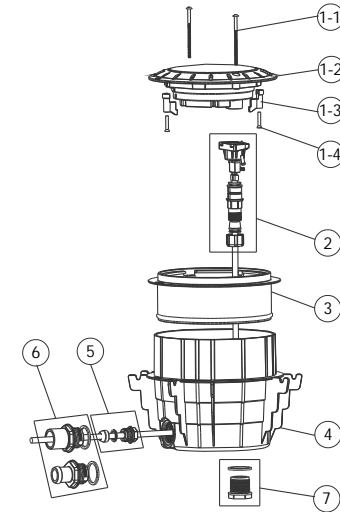
2.2 COLORTOUCH MODE

It need to cooperate with Color Touch Control Box to pick up color directly and adjust brightness. Without this control box, it will be self-determine to basic mode when 12Vac power is connected.



7. SPARE PART LIST

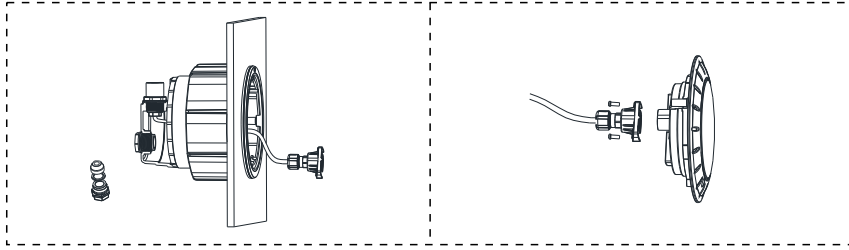
ZIR25-C



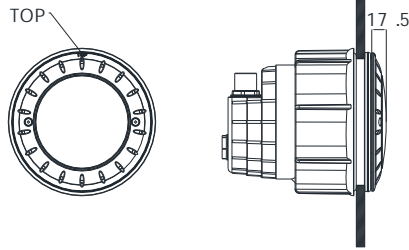
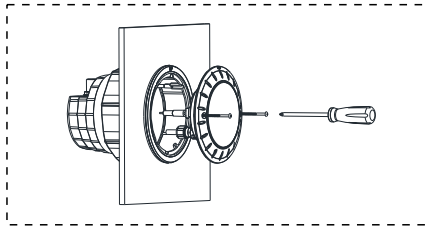
Key No.	Part No.	Description	QTY
1-1	112010115	Screw M3.5*62(316)	1
1-2	440548127	20 LEDs Panel 25W Color	1
1-3	440097739	Pillar	2
1-4	112010116	Screw M3.5*25(316)	2
1	E042801	20 LEDs Panel Suite 25W Color for ZIR25-C/V (Composition of 1-1,1-2,1-3,1-4)	1
2	E042802	Retro-fit Connector(For ZIRCON,with cable 2.5m)	1
2	105108117	Cable 2.5m(For ZIRCON)	1
3	440427740	Clamp Ring	1
4	440087740	Lights Niche	1
5	E042803	ZIRCON Water Joint Fittings for Cable	1
6	E042704	Joint for wire & pipe Suite TOPAZ	1
7	89041605	Plug with O-Ring	1

5. lead the power cord with connector though the niche from the front side.

6. Screw the connector to the lamp with face plate



7. Place the lamp into the niche



6. MAINTENANCE OF THE LIGHTS

1. Do not leave the lights "on" above water for longer than 1 minute.
2. Before switching on the lights, check whether the lights are fully submerged underwater and the circuit boxes are running properly.
3. This unit does not need any kind of maintenance. If it is not working properly, please contact EMAUX authorized dealer where you purchase the unit from.
4. Warranty will be voided if the Emaux Underwater Light was dismantled by unauthorized personnel.

3. LIGHT SPECIFICATION

3.1 ELECTRICAL

Operation Voltage Range: AC12V (COS Φ : 0.8 ,MAX 2.0A)

LED Color: RGB + Warm White (3000K) and Cool White (6500K)

Operation Frequency: 50/60Hz

Max Power Rating: 25W

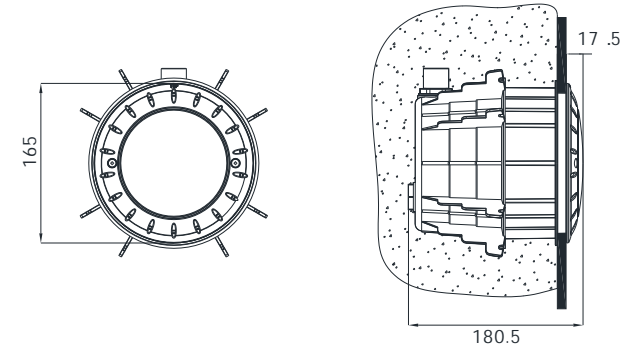
Mode of operation: ON/OFF Mode or ColorTouch control box

There are three different installation types for ZIRCON lamp:

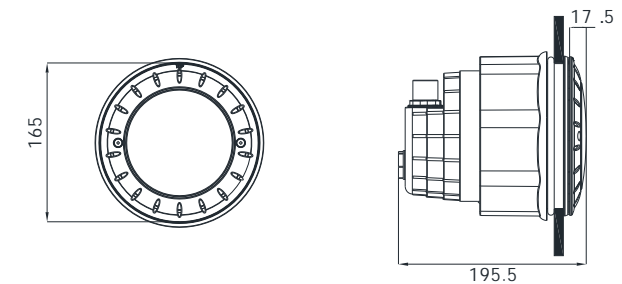
ZIR25-C	Concrete Pool
ZIR25-V	Vinyl Pool/Fiber Glass Pool

3.2 DIMENSIONS (in mm)

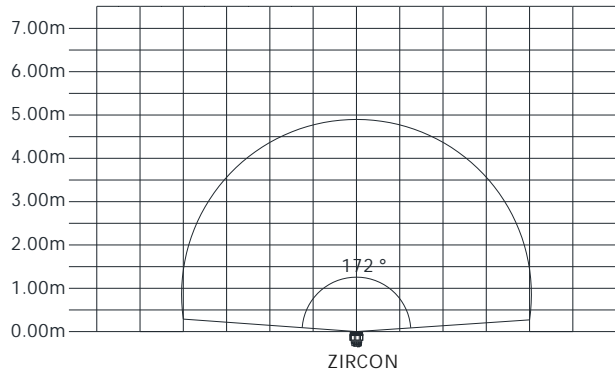
3.2.1 ZIR25-C



3.2.2 ZIR25-V



3.2.4 Light Intensive chart

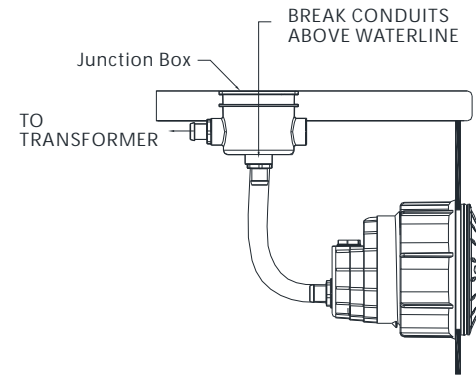


3.3 COLOR MODE

NO.	Mode	NO.	Mode
1	Cool White	9	Mode C: Blue+Gradual Green
2	Green	10	Mode D: RGB Color Sequence
3	Blue	11	Mode E: RGB Color Sequence
4	Green+Blue	12	Mode F: Auto Color Change
5	Red+Green	13	Mode G: RGB Color Sequence
6	Red+Green+Blue	14	Mode H: Rapid Auto Color Change
7	Mode A: Blue+Gradual Red	15	Warm White
8	Mode B: Green+Gradual Red		

4. INSTALLATION

1. It is recommended to install a light every 20m², the approximate exposure area of each unit.
2. The lights should be installed in the direction that they will not shine directly into the house.
3. For training or competition pools, the lights must be installed on the sides in order to prevent swimmers from seeing any glare.
4. Nothing should be placed on the pool side directly above the lights for ease of future maintenance.
5. The cables connecting the lights and the transformers must be at least 6mm² and the distance between them must not exceed 30m; otherwise the lights will not function properly.
6. Terminal blocks must meet the IEC60988-2-1 standard having the rated connecting capacity of 4,0mm² use of screw-type terminal at least 25A current rating, mounted on junction boxes inside.

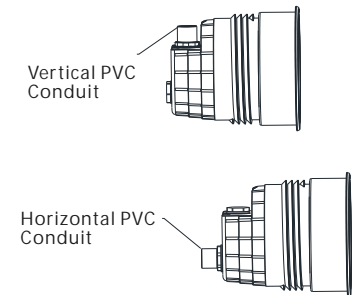


Installation Step:

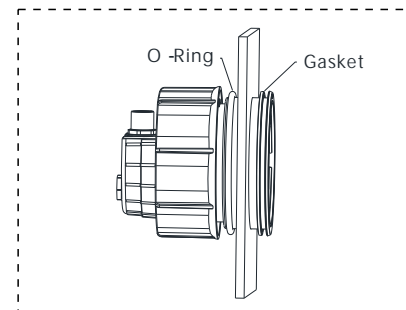
1. Opening Hole



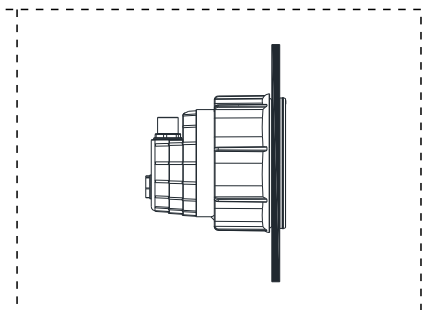
2. Screw the Conduit on the housing.



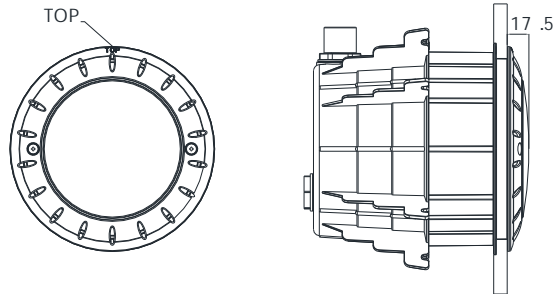
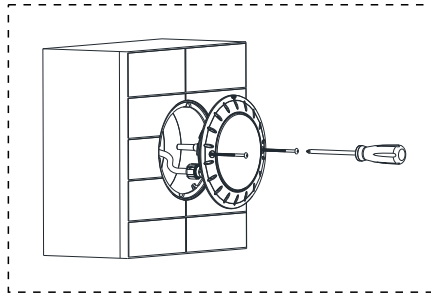
3. Insert the light niche through the opening with plastic ring on both face side.



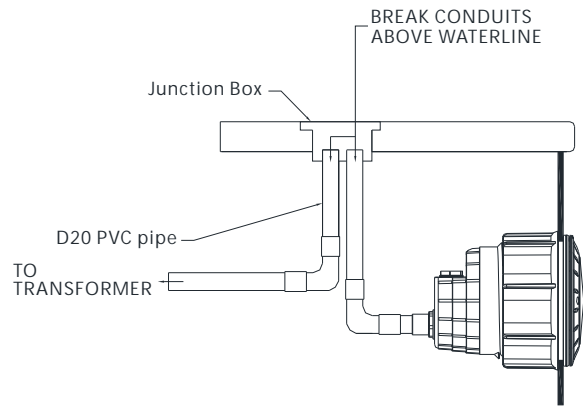
4. Screw the nut tight from inside



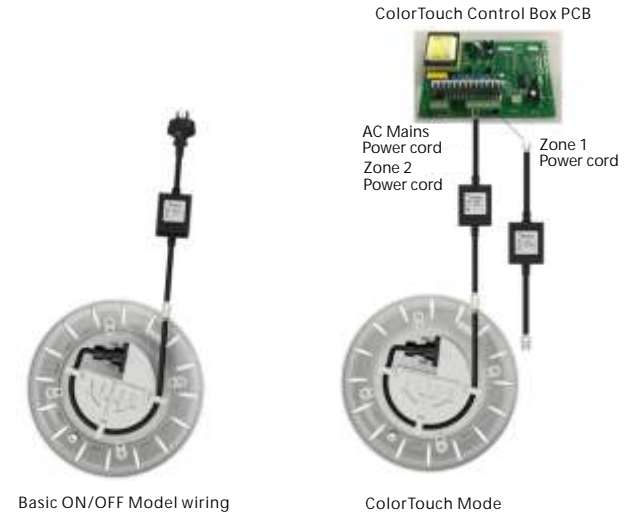
6. Place the lamp into the niche



5.2 ZIR25-V



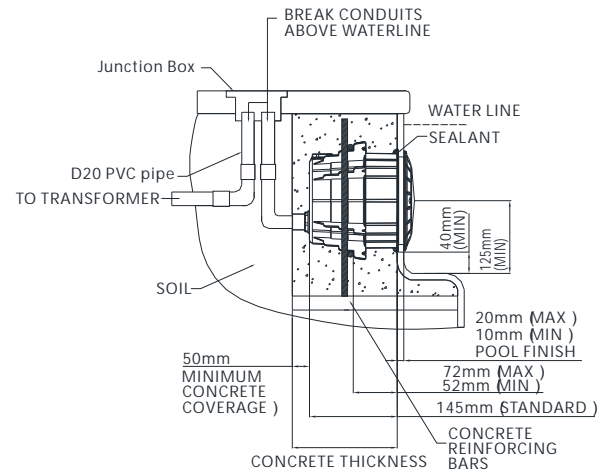
4.1 WIRING DIAGRAM

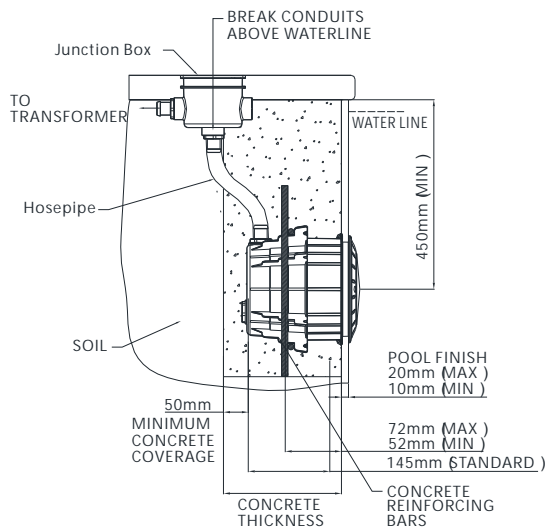
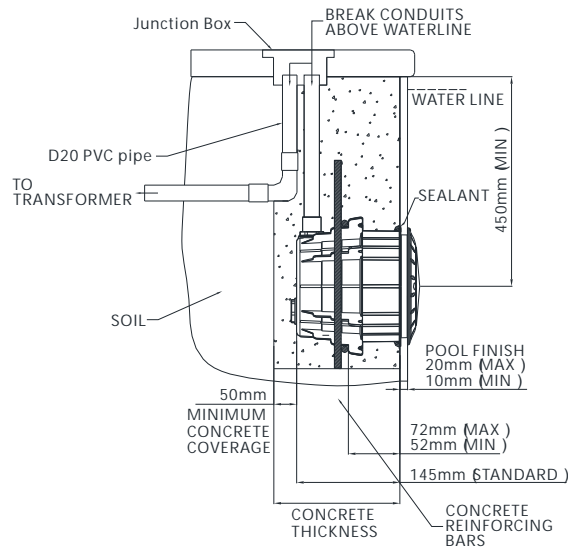


5. LAMP INSTALLATION

5.1 ZIR25-C CONCRETE POOL

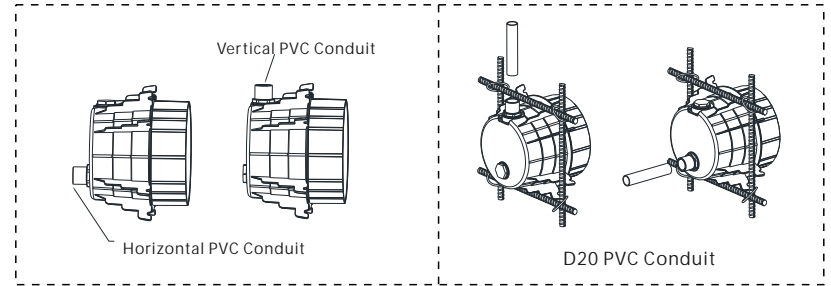
Typical vertical and horizontal concrete pool installation layout is illustrated as below diagram for reference.



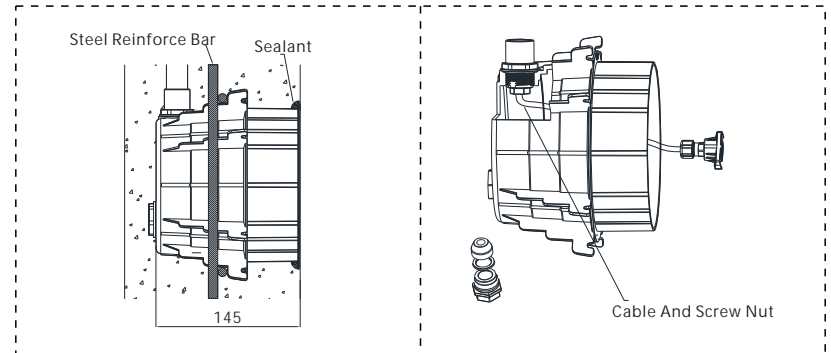


Installation Step:

1. Mounting the niche on steel reinforced bar.



2. The niche and the concrete wall should be sealed with sealant to prevent water from getting inside.



4. Insert the clamp ring into the niche before the ceramic is applied. Wrap the power cord few round.

5. Assemble the power cord.

