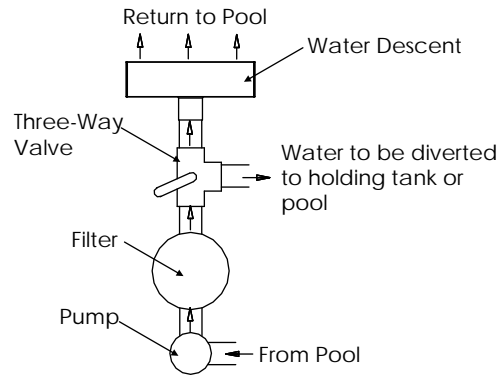
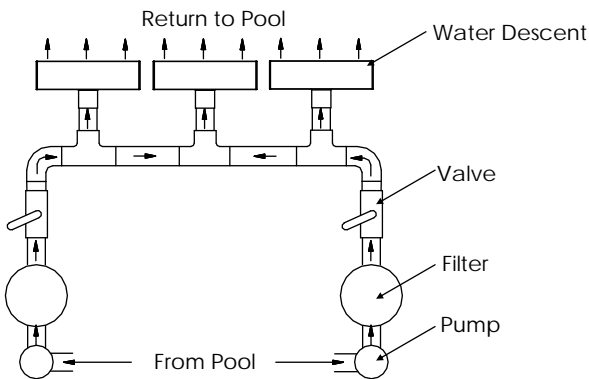
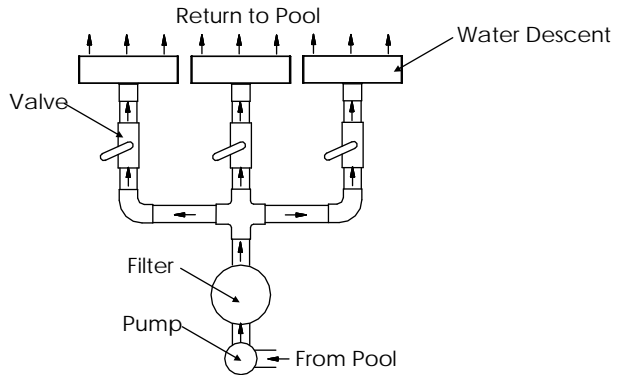


INSTALLATION FOR PIPING SINGLE UNIT WITH BALL VALVE.

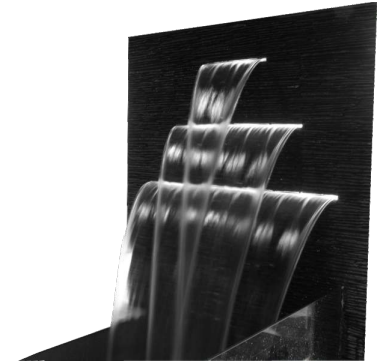
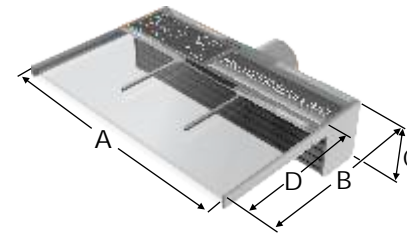


MULTIPLE UNITS WITH BALL VALVE. (IT IS BEST TO VALVE EACH UNIT)



Warning: Only filtered water should be used with this product, otherwise clogging within the product may occur and cause leakage.

WATER DESCENT



- * Read this manual carefully and keep this manual safe for future reference
- Installation must be done in compliance to your local ordinances and national regulations
- Installation to be made by authorised personnel only (E.G. licenced engineers, electrician and so on)
- Only filtered water should be used with this product, otherwise clogging within the product may occur and cause leakage.

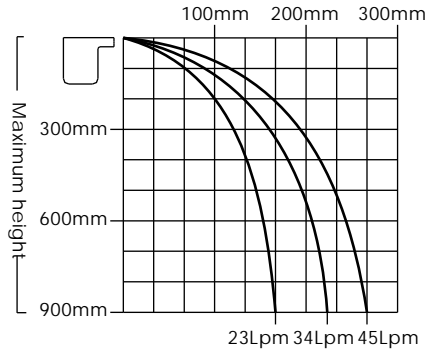
DIMENSION

| CODE | MODEL NO. | (mm) | | | | LED | TYPE OF WALL INSTALLATION |
|----------|---------------|------|-----|----|-----|------------|-----------------------------|
| | | A | B | C | D | | |
| 88480101 | PB300-25(L) | 306 | 138 | 76 | 25 | 4W DC 12V | Existing wall |
| 88480102 | PB300-150(L) | 306 | 263 | 76 | 150 | 4W DC 12V | New feature wall(brick) |
| 88480103 | PB300-230(L) | 306 | 343 | 76 | 230 | 4W DC 12V | New feature wall(limestone) |
| 88480111 | PB600-25(L) | 606 | 138 | 76 | 25 | 8W DC 12V | Existing wall |
| 88480112 | PB600-150(L) | 606 | 263 | 76 | 150 | 8W DC 12V | New feature wall(brick) |
| 88480113 | PB600-230(L) | 606 | 343 | 76 | 230 | 8W DC 12V | New feature wall(limestone) |
| 88480121 | PB900-25(L) | 906 | 138 | 76 | 25 | 12W DC 12V | Existing wall |
| 88480122 | PB900-150(L) | 906 | 263 | 76 | 150 | 12W DC 12V | New feature wall(brick) |
| 88480123 | PB900-230(L) | 906 | 343 | 76 | 230 | 12W DC 12V | New feature wall(limestone) |
| 88480131 | PB1200-25(L) | 1206 | 138 | 76 | 25 | 17W DC 12V | Existing wall |
| 88480132 | PB1200-150(L) | 1206 | 263 | 76 | 150 | 17W DC 12V | New feature wall(brick) |
| 88480133 | PB1200-230(L) | 1206 | 343 | 76 | 230 | 17W DC 12V | New feature wall(limestone) |
| 88485001 | PB300-25 | 306 | 138 | 76 | 25 | / | Existing wall |
| 88485002 | PB300-150 | 306 | 263 | 76 | 150 | / | New feature wall(brick) |
| 88485003 | PB300-230 | 306 | 343 | 76 | 230 | / | New feature wall(limestone) |
| 88485011 | PB600-25 | 606 | 138 | 76 | 25 | / | Existing wall |
| 88485012 | PB600-150 | 606 | 263 | 76 | 150 | / | New feature wall(brick) |
| 88485013 | PB600-230 | 606 | 343 | 76 | 230 | / | New feature wall(limestone) |
| 88485021 | PB900-25 | 906 | 138 | 76 | 25 | / | Existing wall |
| 88485022 | PB900-150 | 906 | 263 | 76 | 150 | / | New feature wall(brick) |
| 88485023 | PB900-230 | 906 | 343 | 76 | 230 | / | New feature wall(limestone) |
| 88485031 | PB1200-25 | 1206 | 138 | 76 | 25 | / | Existing wall |
| 88485032 | PB1200-150 | 1206 | 263 | 76 | 150 | / | New feature wall(brick) |
| 88485033 | PB1200-230 | 1206 | 343 | 76 | 230 | / | New feature wall(limestone) |

* Inlet size:1.5"/50mm

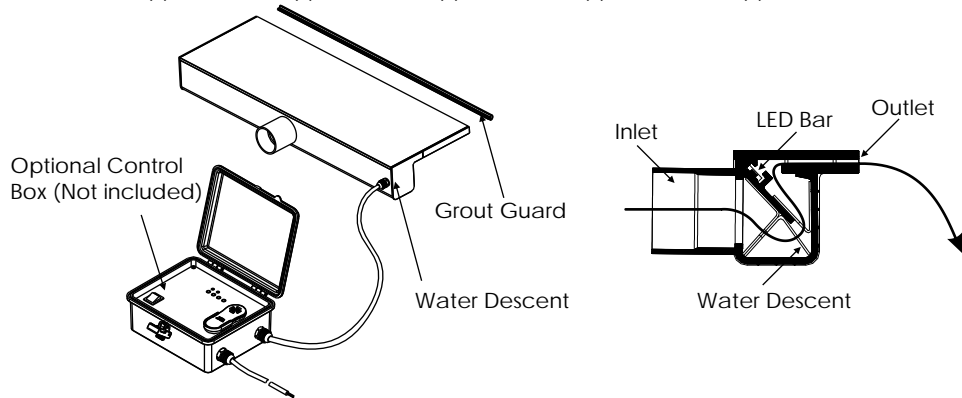
Emaux Water Descents were designed to cater a wide range of sizes to suit various wall lengths and widths. They are suited for existing and new feature wall installation. The "Clear Overflow" construction requires no painting or no special covering to the face of the feature wall as can be easily tucked away. The "Clear Overflow" allows it to blend to your feature wall regardless of composition. The Emaux Water Descent will provide you with peaceful and relaxing sound of a running waterfall.

APPROXIMATE PROJECTION OF SHEET OF WATER PER 300MM OF WATERFALL LENGTH

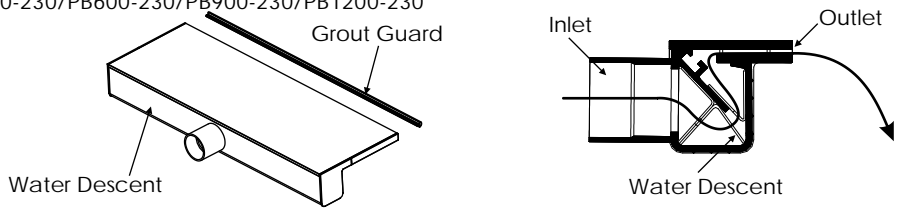


SPECIFICATION

PB300-25(L)/PB600-25(L)/PB900-25(L)/PB1200-25(L)/PB300-150(L)/PB600-150(L)/PB900-150(L)/PB1200-150(L)/PB300-230(L)/PB600-230(L)/PB900-230(L)/PB1200-230(L)



PB300-25/PB600-25/PB900-25/PB1200-25/PB300-150/PB600-150/PB900-150/PB1200-150/PB300-230/PB600-230/PB900-230/PB1200-230

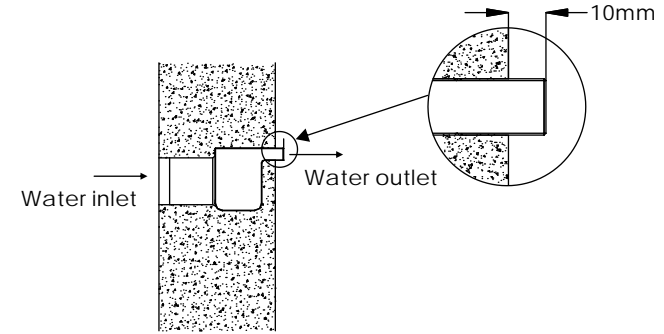


⚠ Important: Do not remove Grout Guard until the installation is complete
Do not leave unit in direct sunlight for long periods of time

INSTALLATION FOR WATER DESCENT

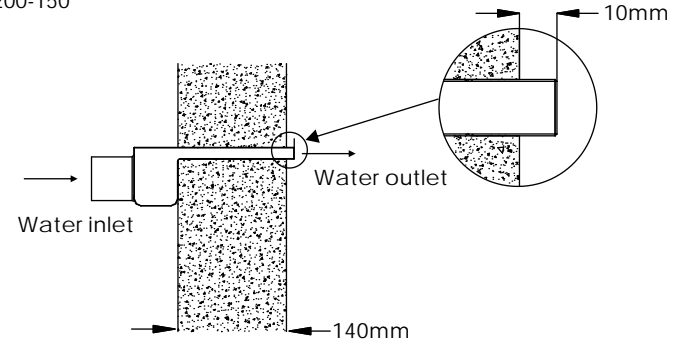
EXISTING BUILT WALLS

PB300-25(L)/PB600-25(L)/PB900-25(L)/PB1200-25(L)/PB300-25/PB600-25/PB900-25/PB1200-25



SINGLE BRICK WALLS DURING CONSTRUCTION

PB300-150(L)/PB600-150(L)/PB900-150(L)/PB1200-150(L)/PB300-150/PB600-150/PB900-150/PB1200-150



LIMESTONE BLOCK WALLS DURING CONSTRUCTION

PB300-230(L)/PB600-230(L)/PB900-230(L)/PB1200-230(L)/PB300-230/PB600-230/PB900-230/PB1200-230

