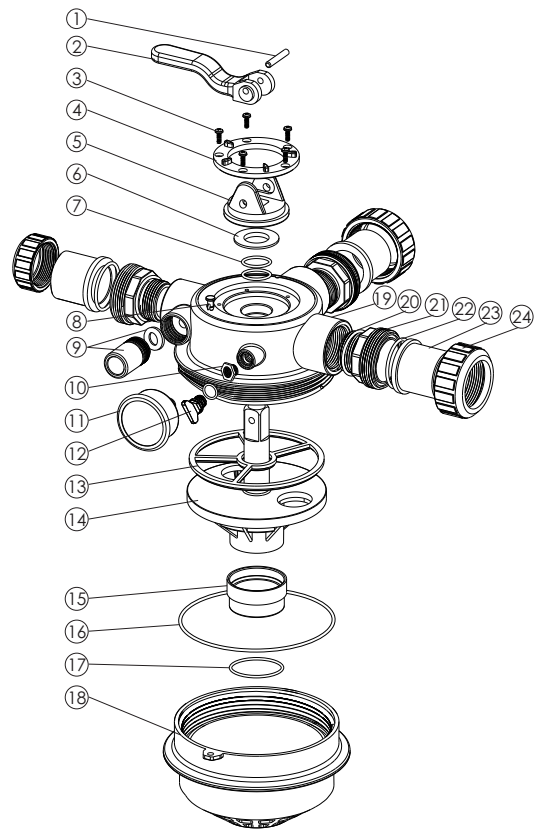


1.5" MULTIPOINT VALVE

Key No.	Part No.	Product Description	Qty
1	03018009	Pin for Handle	1
2	01013036	Handle for 1.5" 4-way Valve	1
3	03011003	∅ 4 x 12 Self-Drilling Screw	5
4	01013040	Pressing Ring	1
5	01013041	Fixation	1
6	01181003	Washer	1
7	02011017	O-Ring for Rotor	2
8	01111018	Defend Lock	1
9	89280104	Sight Glass with O-Ring	1
10	89280120	Drain Plug Fitting with O-ring	1
11	06011029	Oil Pressure Gauge with O-Ring	1
11	06021013	Plastic Pressure Gauge with O-Ring	
12	89021307	Drain Plug with O-ring	1
13	02311005	Spider Gasket	1
14	01021003	Rotor	1
15	01013039	Rotor Connector	1
16	02011021	O-Ring for Rotor Connector	1
17	02011018	O-Ring	1
18	01013038	Base for Clamp	1
19	01013160	Body	1
20	02020013	O-Ring for 1.5" Connector	3
21	01013015	1.5" Connector (Black)	3
22	02011003	O-Ring for 1.5" Adaptor	3
23	01171153	1.5" Union (A/E)	3
24	01013017	1.5" Union Nut (Black)	3



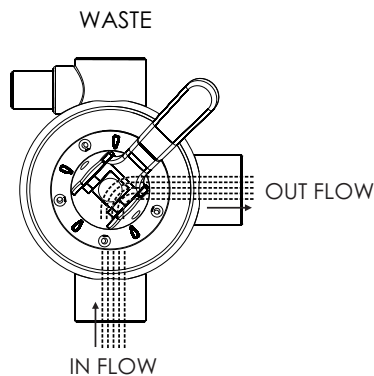
WARNING

- ⚠️ TURN PUMP OFF BEFORE CHANGING VALVE POSITION.
- ⚠️ THIS FILTER OPERATES UNDER HIGH PRESSURE. WHEN ANY PART OF THE CIRCULATING SYSTEM (e.g., CLAMP, PUMP, FILTER, VALVES, ETC.) IS SERVICED, AIR CAN ENTER THE SYSTEM AND BECOME PRESSURIZED. PRESSURIZED AIR CAN CAUSE THE LID OR VALVE TO BE BLOWN OFF WHICH CAN RESULT IN SEVERE INJURY, DEATH, OR PROPERTY DAMAGE
- ⚠️ TO PREVENT DAMAGE TO THE PUMP AND FOR PROPER OPERATION OF THE SYSTEM, CLEAN PUMP STRAINER AND SKIMMER BASKETS REGULARLY.

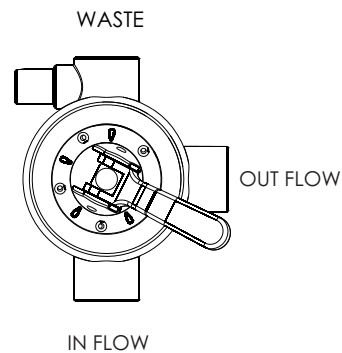
FUNCTIONS OF VALVE POSITIONS

Valve Position	Function
FILTER	Normal Filtration and Vacuuming
BACKWASH	Cleaning Filter by reversing the flow
RINSE	Used after backwash to flush dirt from valve
CLOSED	Shuts off all flow to filter or pool

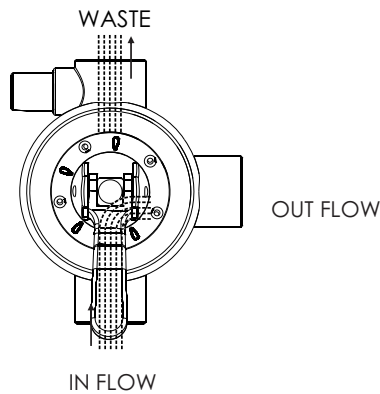
FILTER



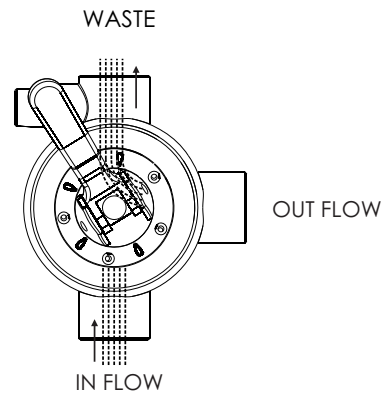
CLOSED



BACKWASH



RINSE



GENERAL

- 1) Pipe tap boss provided for optional influent pressure gauge.
- 2) Piping stops are provided to prevent over-tightening. Always use Teflon pipe tape for connections to provide a good, "living" seal. Add extra sealant if male pipe fitting is undersized
- 3) **SERVICING VALVE.** If it becomes necessary to service or gain access top the key or valve seat gasket:
 - a. Set handle in filter position.
 - b. Remove cover screws.
 - c. Lift cover and key assembly out.

TO ASSEMBLE:

- d. Place valve key so that wedge opening is at TOP port (handle in Filter psn.). Flat edge of cover screw lug should align with flat edge of body screw lug.
- e. Position cover O'Ring.
- f. Secure assembly to body with cover screws. Tighten cover screws evenly and alternately. Do not Over-tighten.