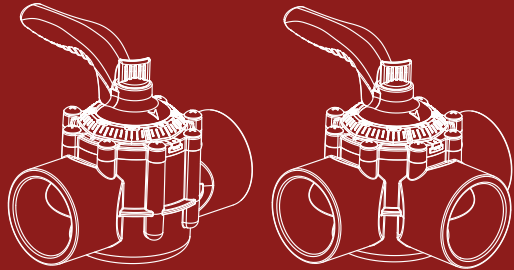




FLEX DIVERTER VALVE

Installation and Operation manual



USER MANUAL

Model: FLEX Series

TABLE OF CONTENTS

PAGE	2 ... WARNINGS AND SAFETY INSTRUCTIONS
2	... 1. PRODUCT INTRODUCTION
2	... 2. SPECIFICATIONS
4	... 3. INSTALLATION
4	... 3.1 PLUMBING
4	... 3.2 FUNCTION AND APPLICATIONS
5	... 4. OPERATION
5	... 4.1 INLET CHANGING
6	... 4.2 DIAL DIRECTION
7	... 5. SPARE PART LIST
8	... 6. TERMS OF THE WARRANTY



WARNING

This product should be installed and serviced by professionals qualified in the installation and maintenance of pool/spa products. Please read this manual before installing the product. The instructions in this manual can be followed exactly. Turn all power pumps OFF before doing any adjustment or maintenance to the valve. To reduce the risk of injury, do not permit children to use this product. Incorrect installation and/or operation can cause serious injury, property damage, or death. Improper installation and/or operation will void the warranty.

1. PRODUCT INTRODUCTION

Emaux FLEX Diverter Valve is a new maintenance-free valve with an ergonomic handle design. The new PTFE coated gasket gives reliable and smooth tuning for the valve. A new adjustable dial design provides user with a simple and flexible way of inlet changing. The shaft can work with the main actuators in the market. When paired with the new Emaux FLEX Actuator, it gives user a reliable automation experience on valve automation control.

2. SPECIFICATIONS

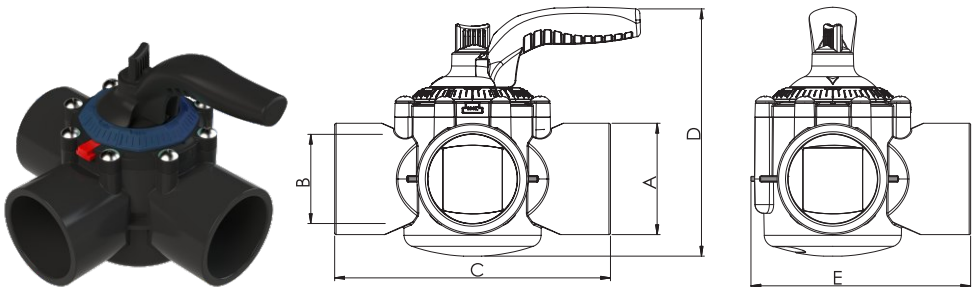


Fig. 1

Three-Way Valve (Imperial)

Code	Model	Material	Connection	A (in)	B (in)	C (in)	D (in)	E (in)	Description
91600106	FLEX40-3(A)	PVC/CPVC	1½" / 2"	Ø2.36	Ø1.89	7.3	6.6	5.87	ID 1½" pipe slip in OD 2" coupler
91600108	FLEX50-3(A)	PVC/CPVC	2" / 2½"	Ø2.95	Ø2.36	7.3	6.6	5.87	ID 2" pipe slip in OD 2½" coupler

Three-Way Valve (Metric)									
Code	Model	Material	Connection	A (mm)	B (mm)	C (mm)	D (mm)	E (mm)	Description
91600105	FLEX40-3(E)	PVC/CPVC	GB50 / GB63	Ø63	Ø50	186	168	149	ID GB50 pipe slip in OD GB63 coupler
91600107	FLEX50-3(E)	PVC/CPVC	GB63 / GB75	Ø75	Ø63	186	168	149	ID GB63 pipe slip in OD GB75 coupler

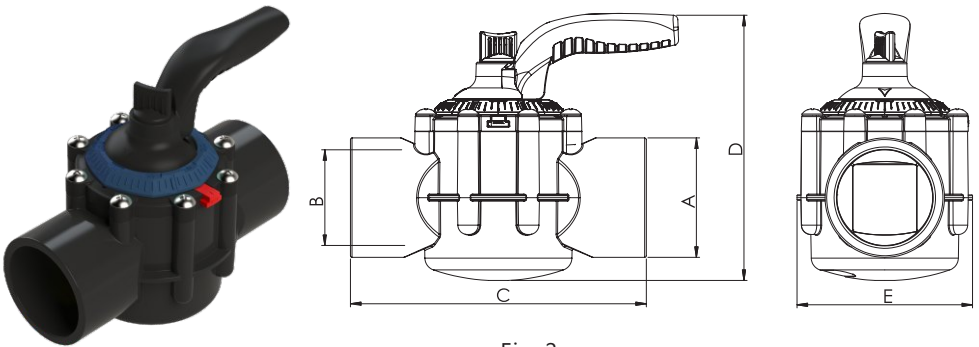


Fig. 2

Two-Way Valve (Imperial)									
Code	Model	Material	Connection	A (in)	B (in)	C (in)	D (in)	E (in)	Description
91600006	FLEX40-2(A)	PVC/CPVC	1½" / 2"	Ø2.36	Ø1.8	7.3	6.6	4.3	ID 1½" pipe slip in OD 2" coupler
91600008	FLEX50-2(A)	PVC/CPVC	2" / 2½"	Ø2.95	Ø2.36	7.3	6.6	4.3	ID 2" pipe slip in OD 2½" coupler

Two-Way Valve (Metric)									
Code	Model	Material	Connection	A (mm)	B (mm)	C (mm)	D (mm)	E (mm)	Description
91600005	FLEX40-2(E)	PVC/CPVC	GB50 / GB63	Ø63	Ø50	186	168	111	ID GB50 pipe slip in OD GB63 coupler
91600007	FLEX50-2(E)	PVC/CPVC	GB63 / GB75	Ø75	Ø63	186	168	111	ID GB63 pipe slip in OD GB75 coupler

3. INSTALLATION

3.1 PLUMBING

Emaux FLEX series Diverter Valve is designed for both Imperial pipes (1½", 2" and 2½") and metric pipes (GB50, GB63, and GB75). Pipes slipped in are required gluing to fix and to connect to a bigger pipe to the valve, coupler, 45° or 90° fittings have to be used.

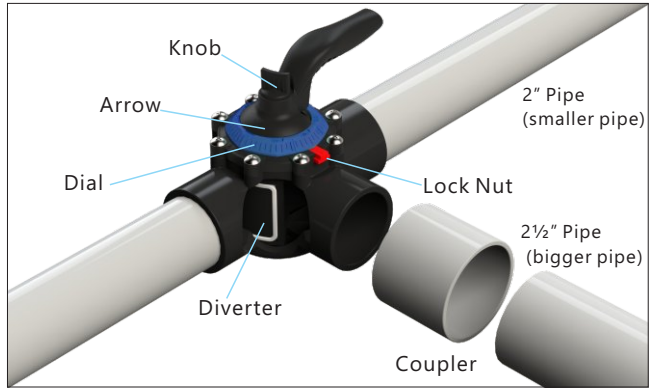


Fig. 3

NOTE:

During gluing the pipe and valve, to avoid glue going into the diverter, it is recommended to turn the handle in the direction as shown in Fig. 4. So that the diverter is away from ports. Make sure that no glue enters the main valve body.

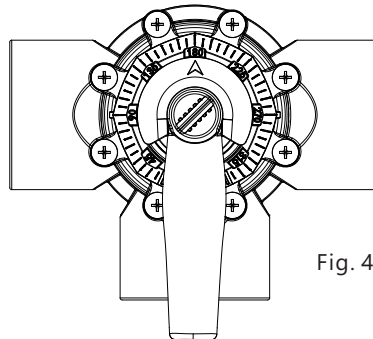


Fig. 4

3.2 FUNCTION AND APPLICATIONS

	Function	Application
Knob	To lock handle and the Dial.	Loosen knob to adjust handle and dial.
Lock Nut	To lock the Dial	After loosen knob, push the lock nut then turn the Dial.
Arrow on Handle	To indicate the diverter position.	Turn the handle to adjusting flow inside valve. Marking on the dial is used as position reference for the arrow to point to.
Dial	To set the handle turntable range.	Rotate the Dial until hear a click sound.



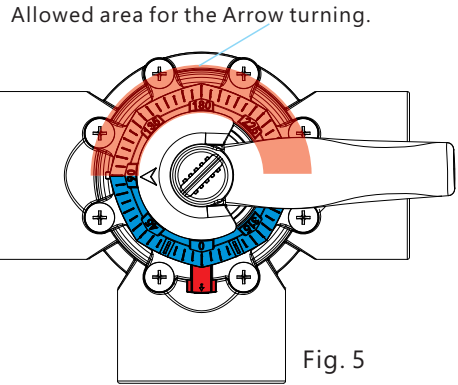
WARNING

Turn all power pumps OFF before doing any adjustment or maintenance to the valve.

4. OPERATION

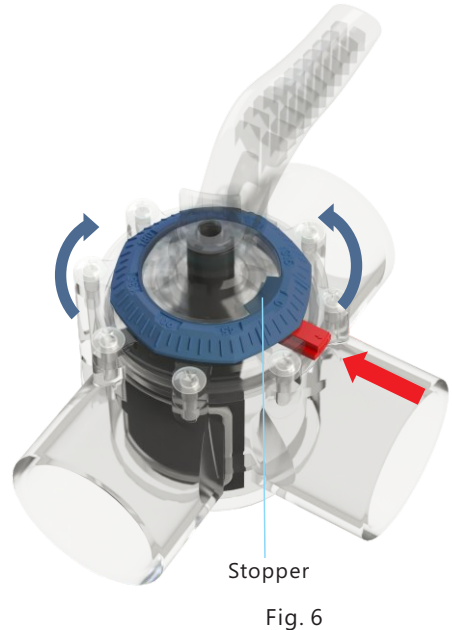
4.1 INLET CHANGING

User can set either port as an inlet port. The arrow on the handle indicates the diverter position and the port flow is blocked when the arrow on the handle is pointing at it. The new dial has markings from 0 to 360 degree where 270 to 90 degree range does not allow the arrow to turn to. As a result, the diverter is limited to turn to the range 90 to 270 only.



Follow the following procedure to change the inlet.

1. Turn the knob approximately half turn counter clockwise to loosen the handle.
2. Push and hold the Lock Nut to release the lock of the Dial and then turn the Dial "0" to the port which is defined as an inlet (port where water enters).
3. Lock the Dial by releasing the push, the Dial will be locked when the Lock Nut pops out (if the Lock Nut does not pop out, which means the Lock Nut is not pointing to either marking (0, 90, 180, 270) on the Dial).
4. Turn the knob clockwise until the handle is tightened to fix the setting.

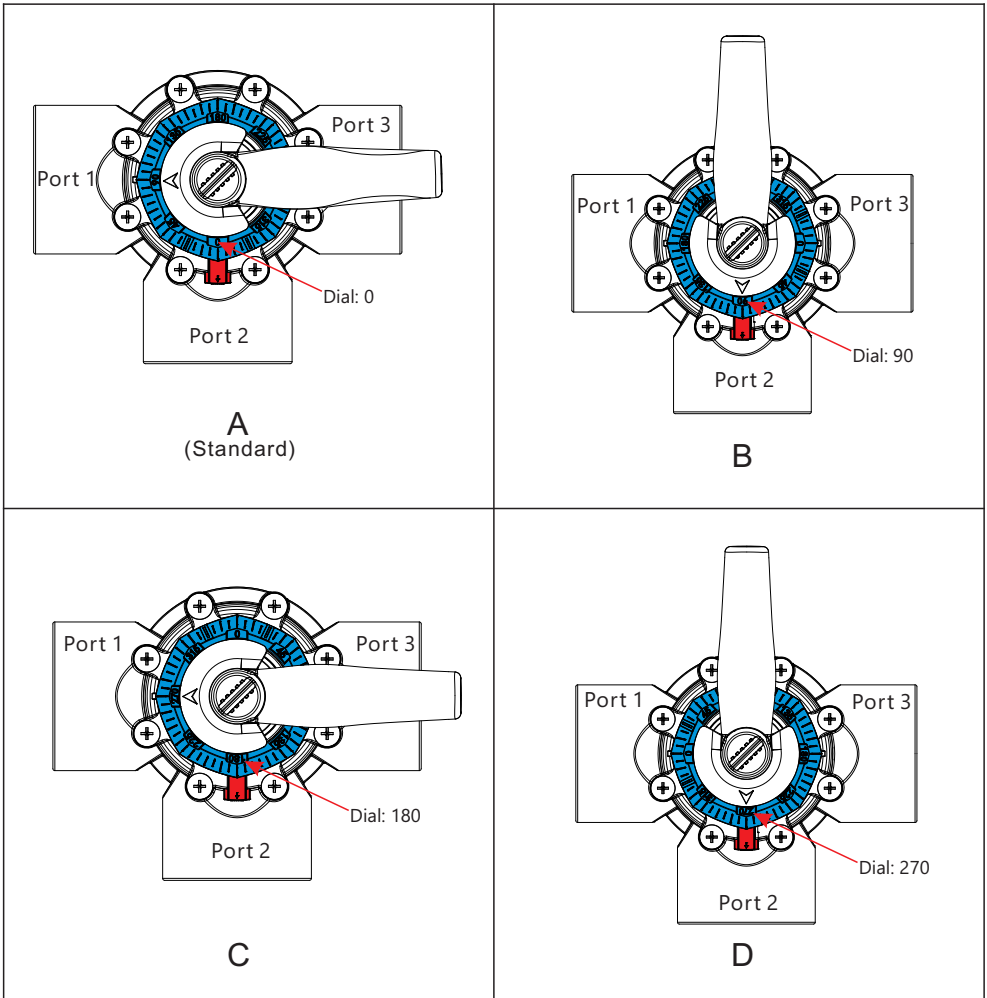


Turn the handle:

Before turning the handle, you must loosen the knob. Otherwise, the handle is locked.

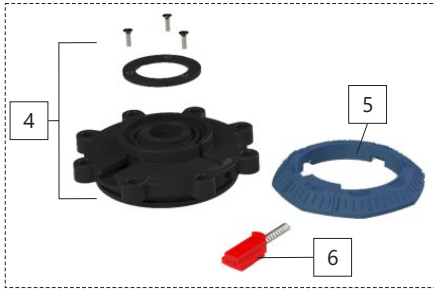
1. Power off the pumps. Make sure that water in the valley is not flowing.
2. Turn the knob at least two turns counter clockwise to loosen the handle.
3. Turn the handle, the arrow on the handle indicates the diverter position.
4. The 270 to 90 degree range which is marked on the dial does not allow the arrow to turn to.
5. Turn the knob clockwise until the handle is tightened to fix the setting.

4.2 DIAL DIRECTION



Dial direction	A (Standard)	B	C	D
Port where water enters (Inlet Port)	2	3	1, 2, 3	1
Port Where Water Exits (Port that the Diverter can block)	1, 3	1, 2	1, 2, 3	2, 3

5. SPARE PART LIST



Valve Cover module
Includes 3 M2 screws and 1 ring and cover main body.



8. Diverter module
Includes 2 shaft O-ring and 1 washer



Key No.	Part No.	Description	Qty
1	570349858	Knob	1
2	112010170	M6x20 Screws	1
3	570349857	Valve Handle	2
4	E160001	Valve Cover module	2
5	57200010	Dial	1
6	E042809	Lock Button	1
7	111000054	O-Ring	1
8	E160002	Diverter module	1

NOTE:

Item 9 (The Valve housing) is not available as a separate part. If you need to replace the valve housing, you must replace the entire valve.

6. TERMS OF THE WARRANTY

As original purchaser of this equipment have purchased from Emaux Water Technology Co Ltd, through Authorized International Distributor or Dealer, warrants its products free from defects in materials and workmanship under normal use during warranty period. The warranty period begins on the day of purchase and extends only to the original purchaser. It is not transferable to anyone who subsequently purchases the product from you. It excludes all expendable parts.

During the warranty period, Emaux authorized reseller will repair or replace defective parts with new parts or, at the option of Emaux, serviceable used parts that are equivalent or superior to new parts in performance.

This Limited Warranty extends only to products purchased from Emaux authorized reseller. This Limited Warranty does not extend to any product that has been damaged or rendered defective

- (a) as a result of accident, misuse or abuse;
- (b) as a result of an act of God;
- (c) by operation outside the usage parameters stated herein;
- (d) by the use of parts not manufactured or sold by Emaux;
- (e) by modification of the product;
- (f) as a result of war or terrorist attack; or
- (g) as a result of service by anyone other than Emaux authorized reseller or authorized agent.

EXCEPT AS EXPRESSLY SET FORTH IN THIS WARRANTY, EMAUX MAKES NO OTHER WARRANTIES EXPRESSED OR IMPLIED, INCLUDING ANY IMPLIED WARRANTIES OR MERCHANTABILITY AND FITNESS FOR A PARTICULAR PURPOSE. EMAUX EXPRESSLY DISCLAIMS ALL WARRANTIES NOT STATED IN THIS LIMITED WARRANTY. ANY IMPLIED WARRANTIES THAT MAY BE IMPOSED BY LAW ARE LIMITED TO THE TERMS OF THIS EXPRESS LIMITED WARRANTY.

EMAUX WATER TECHNOLOGY CO., LTD

ADDRESS FLAT A-D, 20/F., KAI BO 22, 22 WING KIN ROAD,
KWAI CHUNG, HONG KONG
PHONE +852 2832 9880

 **YOUR PREMIER SUPPLIER**

www.emauxgroup.com