

CTRL SERIES SOLENOID DRIVEN METERING PUMP

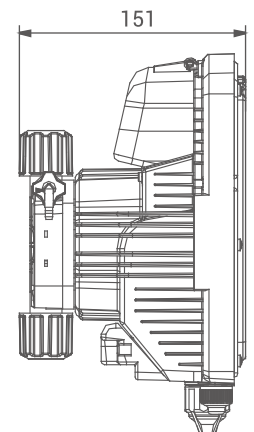
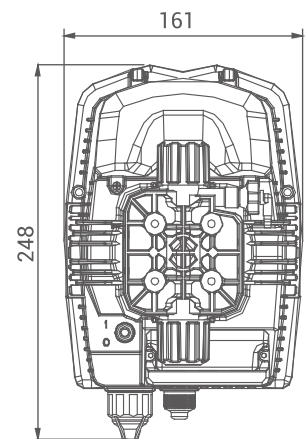
MEASURE AND DOSING AUTOMATICALLY

For measurement of the PH, Redox / ORP value



CTRL4/CTRL7/
CTRL20-PH/ORP

CTRL4/CTRL7/CTRL20



HIGH-ACCURACY AUTOMATIC DOSING / MANUAL DOSING

CTRL4/CTRL7/CTRL20-PH/ORP has an automatic monitoring system that measures the PH value and Redox / ORP value of water through the relative voltage of probes and injects the chemicals to the required set-point. Digital metering pump with pH/Redox control meter on board. Adjustable manual control with proportional dosing flow rate for correct pH & Redox management.

CTRL4/CTRL7/CTRL20 series has a compact, clean design, easy to install and operate. Unlike the above models, it requires adjusting the chemical dosing manually.

Main Features

- 16-word dual-line LCD screen, full working status
- Display automatic recording and storage
- 2 options: a) Built-in pH/ORP monitor or b) Dosing only
- Pump flow control is automatically determined according to monitor pH / ORP value
- PH, ORP, flow and other automatic/manual calibration
- Level gauge input interface, low level alarm
- Flow meter input telematic control
- Password protection

Code	Model	Pressure (bar)	Max Flow/Hour (l/h)	Stroke Capacity (cc/stroke)	Connection Size in/out (mm)	Frequency max (stroke/min)
9318658	CTRL4	12 10	4 5	0.42 0.52	4 / 6 4 / 6	160 160
88490405	CTRL4-PH	12 10	4 5	0.42 0.52	4 / 6 4 / 6	160 160
88490406	CTRL4-ORP	8 2	6 8	0.63 0.83	4 / 6 4 / 6	160 160
9318659	CTRL7	12 10	7 10	0.38 0.55	4 / 6 4 / 6	300 300
88490505	CTRL7-PH	12 10	7 10	0.36 0.52	4 / 6 4 / 6	320 320
88490506	CTRL7-ORP	5 1	15 18	0.78 0.99	4 / 6 4 / 6	320 320
9318660	CTRL20	5 4	20 32	1.11 1.78	8 / 12 8 / 12	300 300
88490605	CTRL20-PH	5 4	20 25	1.11 1.39	8 / 12 8 / 12	300 300
88490606	CTRL20-ORP	2 0.1	38 54	2.11 3	8 / 12 8 / 12	300 300



WT500 Series Dual Parameter Water Quality Monitor

T500 series water quality monitor can simultaneously measure pH & ORP value by a built-in dual parameter. It automatically controls the chemical dosage when partnered with the TRL4/CTRL7/CTRL20 dosing pump.

Model:	WT500PR
Code:	9318661
Measuring Range:	pH 0-14.0 & ORP 0-1500mV
Applicable pool area:	Standard Pool
Display:	Double line LCD
Input Voltage/Frequency:	220-240Vac 50/60Hz
Size:	234X162X108mm
Material:	PP
Waterproof Standard:	Ip65
Installation:	Wall mounted
Standard Accessories:	pH probe/ORP probe/Calibration solution/ Probe mounting connector

Highlight Features:

1. Simple and convenient parameter setting
2. Timed proportional dosing(PWM function)
3. Remote alarm relay
4. LCD diplay
5. 4-20mA current output (isolated)

The dosing pump is activated by a PTFE membrane mounted on a piston and electromagnet. When the piston is attracted by the electromagnet, pressure is produced in the pump body and the liquid is expelled from the discharge valve. Once the electric impulse is finished a spring brings the piston back to the initial position, with a recall of liquid through the suction valve.

LED indicators on the control panel monitor the dosing pump by electronic micro-control technology. Easy operation without lubrication, makes it almost maintenance free.

Note: The CTRL series of dosing pumps is based on an electronic micro-controller, strong and reliable components manage the pH or ORP parameters.



Code	Product Name	Parameter	Photo
87990300	pH probe	Pressure: 7bar Material: epoxy resin Measuring range: 0-14 (With 6m signal line) Electrode diameter: 12mm (Includes probe holder)	
87990301	ORP probe	Pressure: 7bar Material: epoxy resin Measuring range: 1200mV (With 6m signal line) Electrode diameter: ± 12mm (Includes probe holder)	
87990302	pH probe buffer solution	2 bottles of buffer solution of pH (pH4.00 and pH7.00) +1 bottle for buffering	
87990303	ORP probe buffer solution	1 bottle of ORP buffer solution (465mV) for 50ml bottle	
87990306	Dosing pipe fittings for CTRL4/ 7	Pressure: 7bar Material: PVC Screw size: 1/2"	
87990304	Dosing pipe fittings for CTRL20	The maximum resistance at: 60°C	
87990305	Fixing Accessories	Vertical base and wall-mounting accessories	



EMAUX WATER TECHNOLOGY CO., LTD

Flat A-D, 20/F., Kai Bo 22, 22 Wing Kin Road, Kwai Chung, HK
PHONE +852 2832 9880 www.emaugroup.com

Pool & Spa Equipment

ALL SPECIFICATIONS ARE SUBJECT TO CHANGE WITHOUT NOTICE
© 2021 EMAUX WATER TECHNOLOGY CO., LTD. ALL RIGHTS RESERVED.

Available from:

YOUR PREMIER SUPPLIER