

# Galaxy Single-Element Cartridge Filter

DELIVER OPTIMAL SPARKING CLEAR WATER

For residential pool and spa



 **Emaux**  
water technology

Pool & Spa Equipment

**NEW**

# Product Features

## Deliver Optimal Sparking Clear Water

Galaxy Single-Element Cartridge Filter is built with high-strength and UV-resistant material to prolong the product life. The compact and low height design is suitable for any pool especially with limited system setup space. The extensive dirt-catching capability of the filter element makes this filter highly efficient. A reliable choice for crystal clear water.





## User friendly

- 4 x mounting holes
- Easy-grip lid handle
- Indicative pressure gauge tells you when to service
- Knee-height tank base facilitates easy cartridge replacement

## Trouble-free maintenance

- Locking ring with quick-release latch allows removing and installing the top tank quickly.
- Large water drain makes fast and easy winterisation.
- Simple cleaning and rinsing the filter element with a garden hose.

## Eco-Friendly

Big one-piece cartridge element provides a large filtration surface for trapping more dirt and debris. Less cleaning required, and unlike sand filters, needs no backwashing thus saving water and its precious chemicals.



## Product Information:

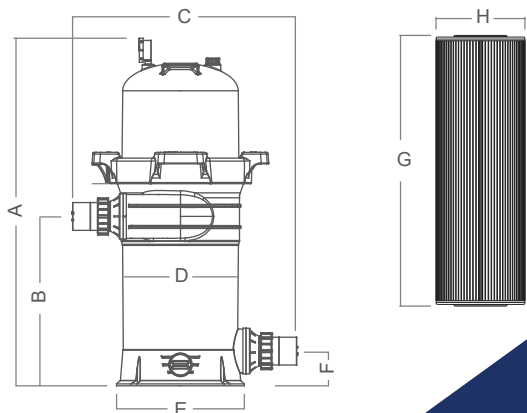
Code	Model	Filter Area		Flow Velocity		Max Flow Rate			In / Outlet Connections		A mm	B mm	C mm	D mm	E mm	F mm
		ft <sup>2</sup>	m <sup>2</sup>	gpm/ft <sup>2</sup>	m <sup>3</sup> /h/m <sup>2</sup>	gpm	lpm	m <sup>3</sup> /h	GB(mm)	ANSI						
9140401	ICF100	100	9.29	1.0	2.443	100	379	22.7	GB50	1.5"/2"	825	444.5	588	304	335	91
									GB63	2"/2.5"						
9140402	ICF150	150	13.94	0.8	1.955	120	454	27.2	GB50	1.5"/2"	910	444.5	588	304	335	91
									GB63	2"/2.5"						
9140403	ICF200	200	18.58	0.6	1.466	120	454	27.2	GB50	1.5"/2"	1033	444.5	588	304	335	91
									GB63	2"/2.5"						

## Cartridge Filter Element:

Code	Model	G mm	H mm	Micron µm	Fold Number
914100004	ICF100-CE	497	Ø267	15	137
914100005	ICF150-CE	590	Ø267	15	172
914100006	ICF200-CE	717	Ø267	15	187

Galaxy Series Filter is equipped with :

1. universal standard of union connection
2. pressure gauge
3. cartridge filter element



## EMAUX WATER TECHNOLOGY CO., LTD

ADDRESS: Flat A-D, 20/F., Kai Bo 22, 22 Wing Kin Road,  
Kwai Chung, HK

PHONE +852 2832 9880

[www.emauxgroup.com](http://www.emauxgroup.com)

 **YOUR PREMIER SUPPLIER**

Available from:

ALL SPECIFICATIONS ARE SUBJECT TO CHANGE WITHOUT NOTICE.  
© 2021 EMAUX WATER TECHNOLOGY CO., LTD. ALL RIGHTS RESERVED.

[www.emauxgroup.com](http://www.emauxgroup.com)