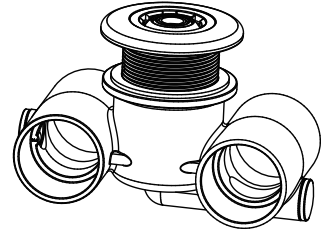


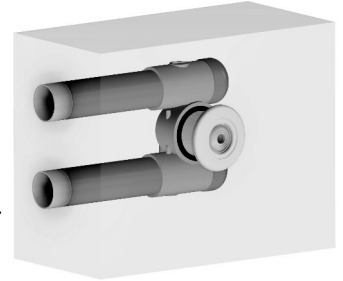
**CONCRETE SPA JET
(1.5"/50mm air & water)
EM4419 (E) Metric
EM4419 (A) Imperial**



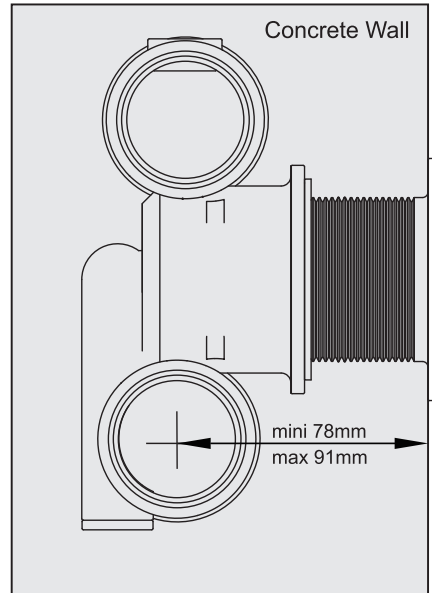
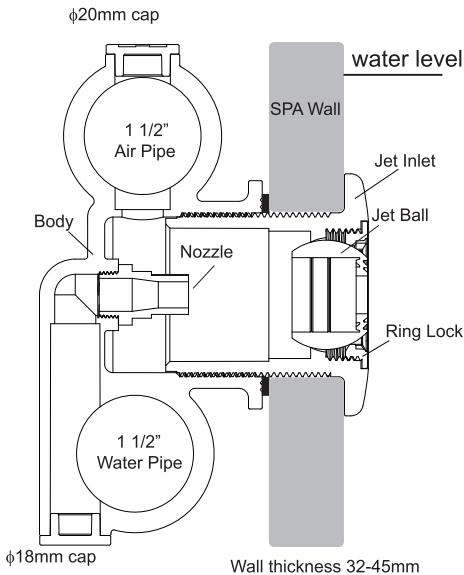
The concrete SPA JET is intended to use in concrete SPA, but also can be used in Fiberglass, wooden, standless SPA.

INSTALLATION

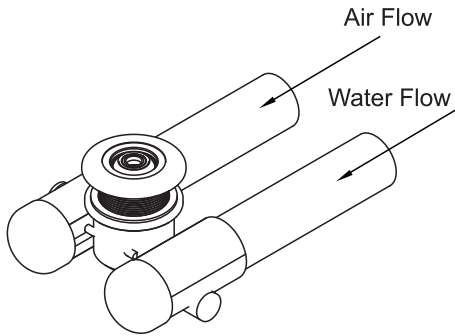
1. Mark the under water install level.
2. Drill a hole at the marked point, then using a 60mm hole saw make a hole to receive the 60mm Jet Inlet.
3. Glue the $\phi 18\text{mm}$ and $\phi 20\text{mm}$ cap.
4. Position the body of the jet behind the SPA wall and make sure the gasket is in place, screw the jet inlet into the body.



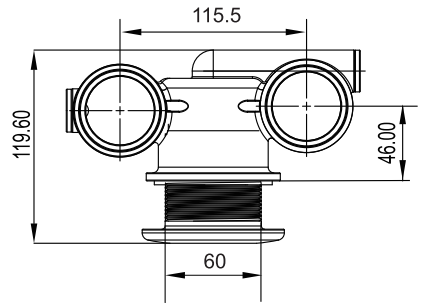
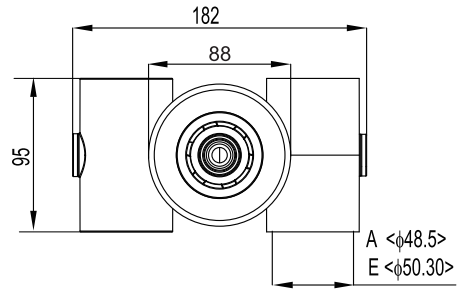
DIMENSIONS:



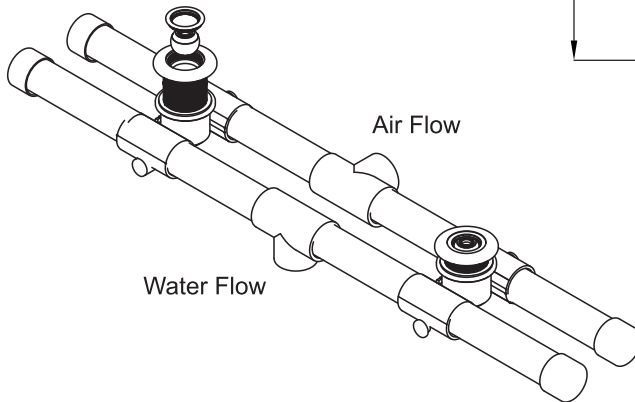
Single Connection



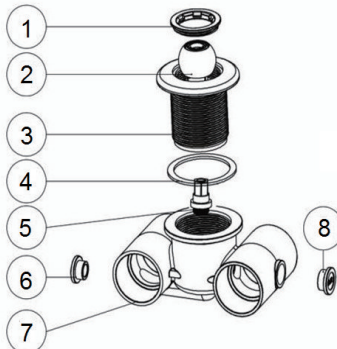
Dimensions (mm)



Continue Connection



Spare Part



Key NO.	Part Number	Part Name	QTY
1	570796991	Ring Lock	1
2	570584527	Ball jet	1
3	570826987	Jet Inlet with thread EM4419(A)	1
	570826988	Jet Inlet with thread EM4419 (E)	1
4	560182636	Gasket D73Xd60X3	1
5	570046991	Nozzle	1
6	570726989	End cap D20	1
7	570056987	Jet Body EM4419 (A)	1
	570056988	Jet Body EM4419(E)	1
8	570726990	End Cap D18	1