

# ***FILTER SYSTEM PARTS***

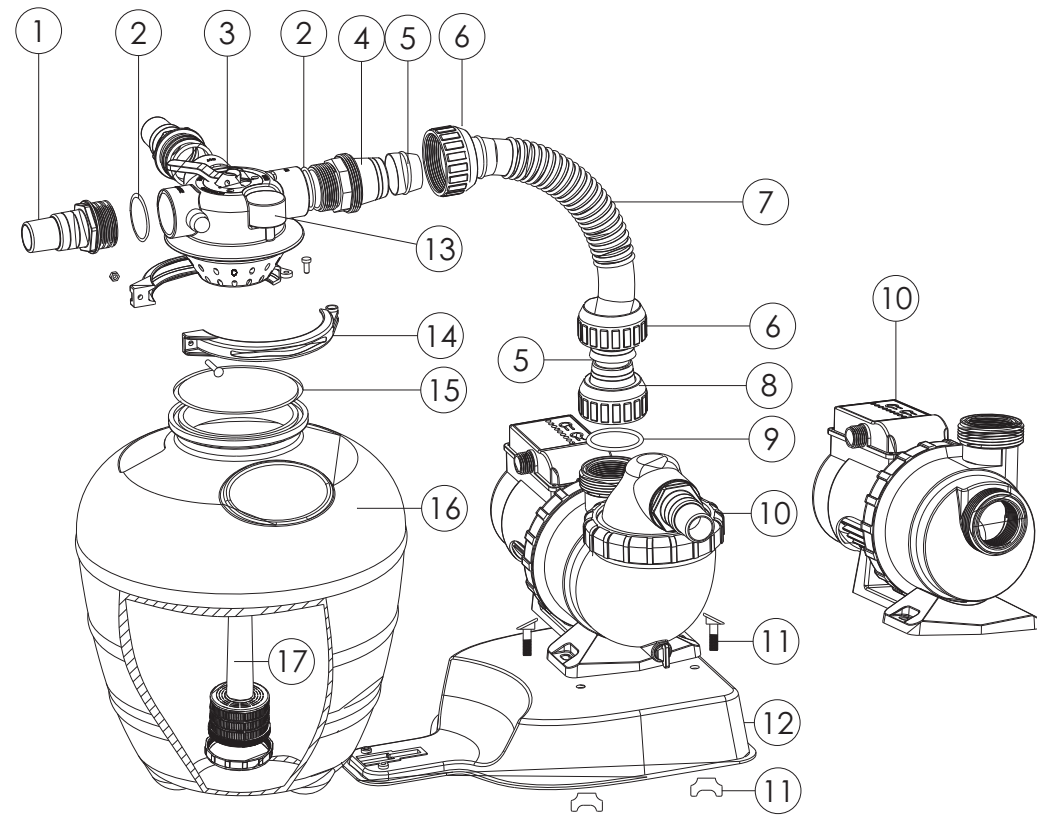
*Replacement Parts  
for Filter System*





# FSU Series Ultra Filter System

Model: FSU-8TP, FSU-8P

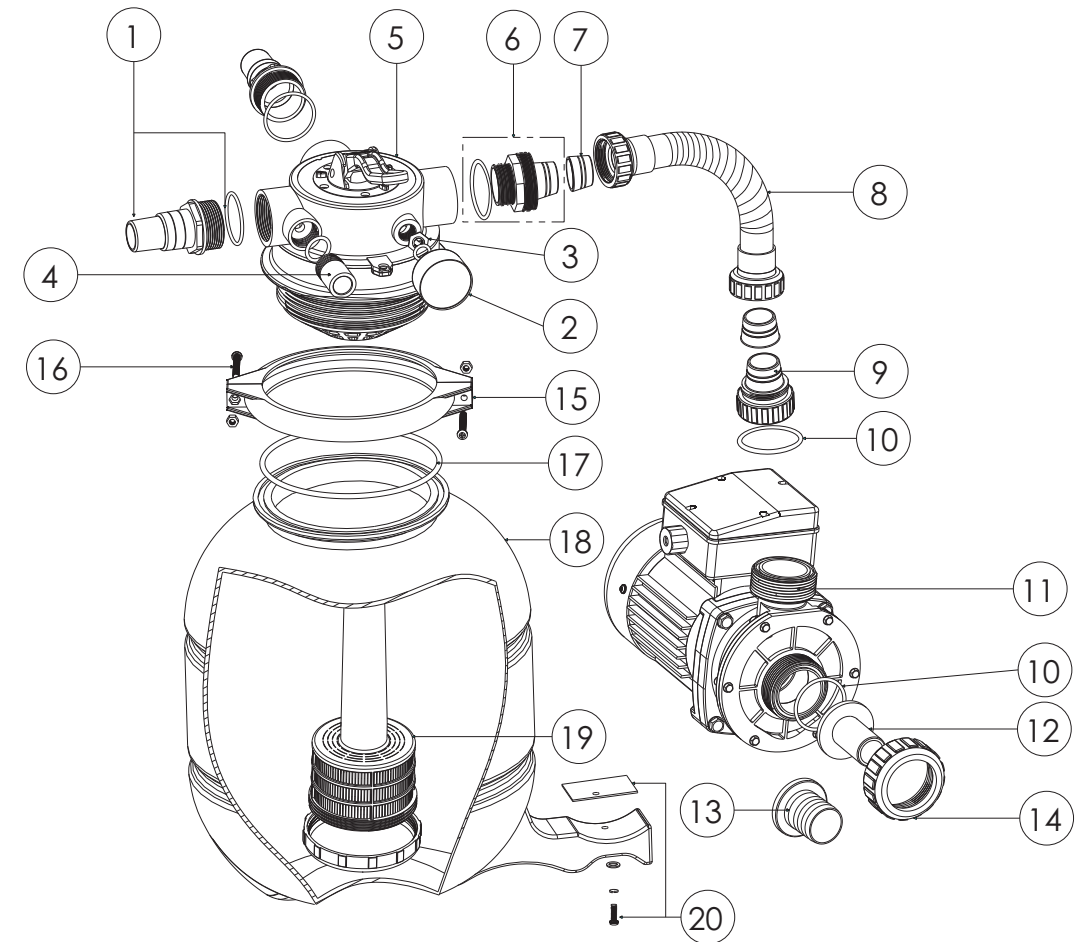


## Replacement Parts

Key No.	Part No.	Description	Piece(s) Required
1	01013051	32mm and 38mm Adaptor	3
2	02020013	O-Ring	4
3	88281105	4 Way Valve	1
4	01013047	Hose Adaptor	1
5	02011026	Sleeve for Hose	2
6	01013046	Nut for Hose	2
7	01370011	Hose	1
8	01013049	Hose Adaptor with Nut	1
9	02011104	O-Ring for 1.5" Union	1
10	88028419	AMU012TP AQUA-MINI Pump (with Timer & Pre-Filter)	1
10	88027519	AMU012T AQUA-MINI Pump (with Timer)	1
10	88027819	AMU012P AQUA-MINI Pump (with Pre-Filter)	1
10	88028420	AMU016TP AQUA-MINI Pump (with Timer & Pre-Filter)	1
10	88027520	AMU016T AQUA-MINI Pump (with Timer)	1
10	88027820	AMU016P AQUA-MINI Pump (with Pre-Filter)	1
10	88028401	AMU020TP AQUA-MINI Pump (with Timer & Pre-Filter)	1
10	88027501	AMU020T AQUA-MINI Pump (with Timer)	1
10	88027801	AMU020P AQUA-MINI Pump (with Pre-Filter)	1
11	89033601	Pump Assembly Screw	1
12	01111105	Combo Base	1
13	06021014	Plastic Pressure Gauge with O-Ring (28psi)	1
14	89033602	Clamp Lock with Screws & Nut	1
15	02010045	O-Ring	1
16	01331061	13" Filter Tank	1
17	89033603	Lateral Assembly with Center Pipe	1

# FSP Series Compact Filter System

Model: FSP300-4W with ST020, FSP300-4W with ST033

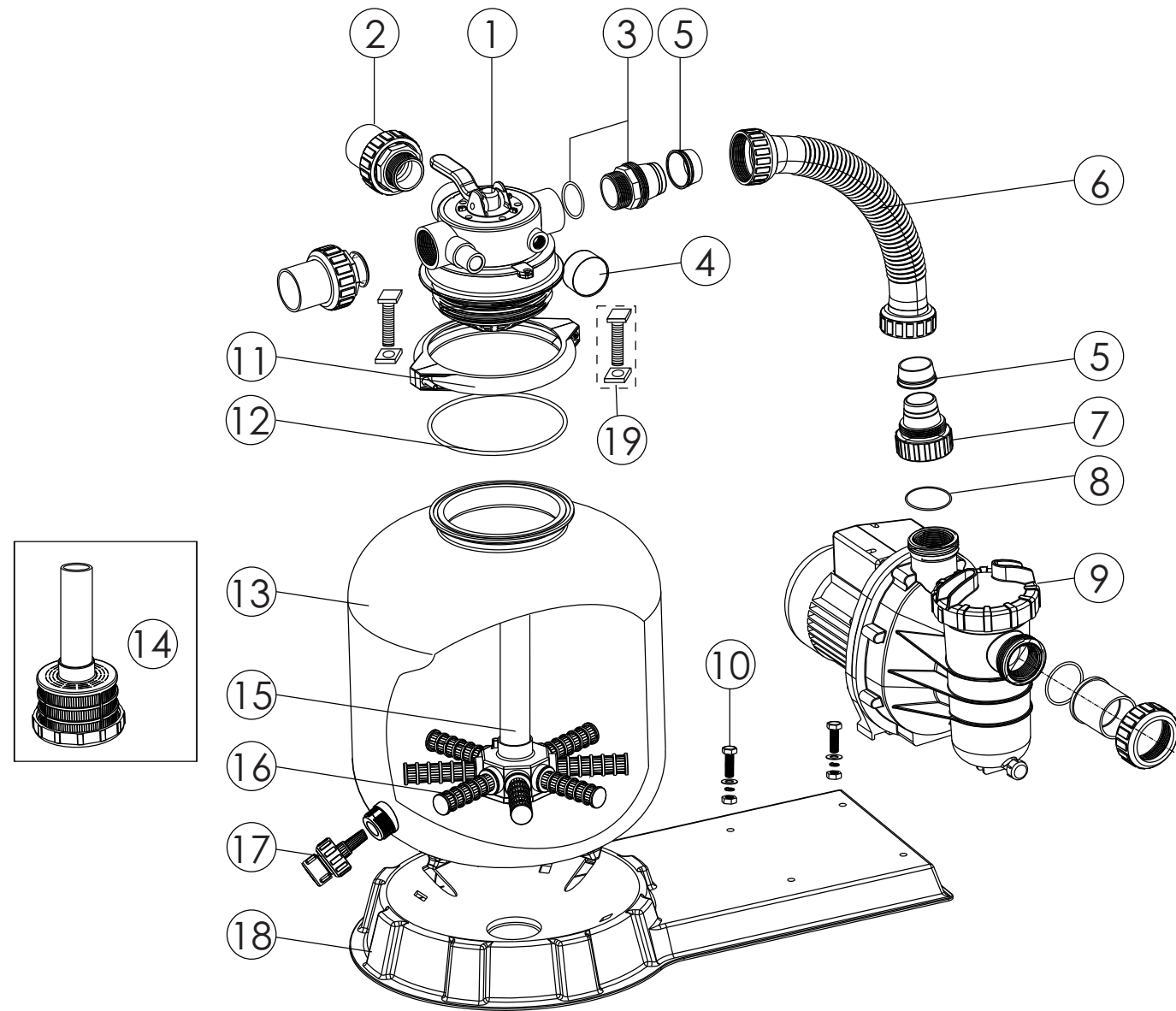


## Replacement Parts

Key No.	Part No.	Description	Piece(s) Required
1	89030201	32mm and 38mm Adaptor with O-ring	2
2	06021013	Plastic Pressure Gauge with O-Ring (40psi)	1
3	01111048	Connector for Pressure Gauge/Stopper	1
4	89280104	Sight Glass with O-Ring	1
5	88281205	1.5" Valve (4Way)	1
6	89030204	Hose Adaptor with O-Ring	1
7	02011026	Sleeve for Hose	2
8	89030202	FSP300-4W Plastic Hose with Nut	1
9	01013049	Hose adaptor with Nut	1
10	02011104	O-Ring for 1.5" Union	2
11	88023017	ST013 Pump	1
11	88023001	ST020 Pump	1
11	88023002	ST033 Pump	1
12	01013053	φ32mm Union	1
13	01013045	φ38mm Union	1
14	01013017	1.5"Union Nut(Black)	3
15	01271010	Clamp Lock	2
16	89010119	M6 x 50 Screws with nut	2
17	02011134	O-Ring for Filter Neck	1
18	01331001	FSP300 Filter tank	1
19	89030205	FSP300 Lateral Assembly with Center Pipe	1
20	89030203	Pump Assembly Screw	1

# FSP Series Compact Filter System

Model: FSP350-4W, FSP400-4W, FSP450-4W, FSP500-4W, FSP650-4W



# FSP Series Compact Filter System

Model: FSP350-4W, FSP400-4W, FSP450-4W, FSP500-4W, FSP650-4W

## Replacement Parts

Key No.	Part No.	Description	Piece(s) Required
1*	88281205	1.5"-4Way Top Mount Valve (Black/ White Colour)	1
2*	89280102	1.5" Union Set With O-Ring (Black/ White Colour)	1
3	89030204	Hose adaptor with O-Ring	1
4	06021001	Plastic Pressure Gauge with O-Ring (35psi)	1
4	01111048	Connector for pressure gauge/stopper	1
5	02011026	Sleeve for Hose	2
6	89030301	FSP350-4W Plastic Hose with Nut	1
6	89030401	FSP400-4W Plastic hose with Nut	1
6	89030501	FSP450-4W Plastic hose with Nut	1
6	89030601	FSP500-4W Plastic hose with Nut	1
6	89030701	FSP650-4W Plastic hose with Nut	1
7	01013049	Hose adaptor with nut	1
8	02011104	O-Ring for 1.5" Union	1
9	88022401	FSF350-4W Pump (SS020)	1
9	88022402	FSP400-4W Pump (SS033)	1
9	88022403	FSP450-4W Pump (SS050)	1
9	88022404	FSP500-4W Pump (SS075)	1
9	88022405	FSP650-4W Pump (SS100)	1
10	89032001	Pump Assembly Screw	2
11	89010119	M6*50 Screws With Nut	2
11	01271010	Clamp Lock	2
12	02011134	O-Ring for Filter Neck	1
13	01331005	P350 Filter Tank	1
13	01331006	P400 Filter tank	1
13	01331007	SP/P450 Filter tank	1
13	01331008	SP/P500 Filter tank	1
13	01331010	SP/P650 Filter tank	1
14	89011602	P350 Lateral Assembly with Center Pipe	1
15	89011603	P400 Lateral Assembly with Center Pipe	1
15	89011604	P450 Lateral Assembly with Center Pipe	1
15	89011605	P500 Lateral Assembly with Center Pipe	1
15	89011606	P650 Lateral Assembly with Center Pipe	1
16	01172007	Laterals (115mm) for P/V400-P/V450	8
16	01172008	Laterals (126mm) for P/V500-P/V650	8
17	89011601	Water Drain Set	1
18	01111056	FSP/F350-4-6W Combo Base	1
18	01111053	FSP/F400-6W - FSP/F650-6W Combo base	1

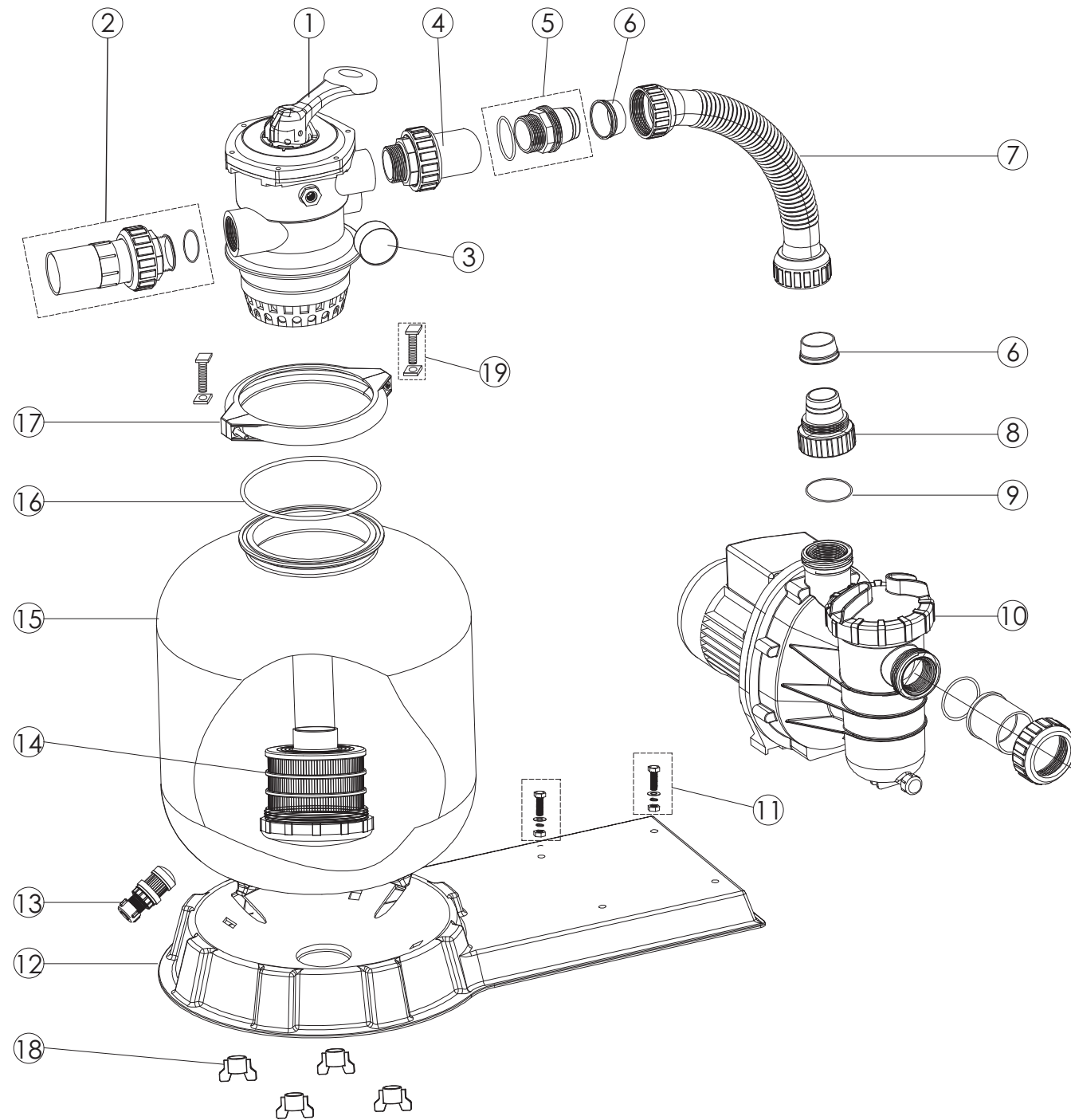
**Notes:** 1\* 88281205B is 1.5"-4Way Top Mount Valve in Black Colour  
 1\* 88281205W is 1.5"-4Way Top Mount Valve in White Colour  
 2\* 89280102B is 1.5" Union Set With O-Ring in Black Colour  
 2\* 89280102W is 1.5" Union Set With O-Ring in White Colour

# FSF Series Filter System

Model: FSF350-6W

# FSF Series Filter System

Model: FSF350-6W



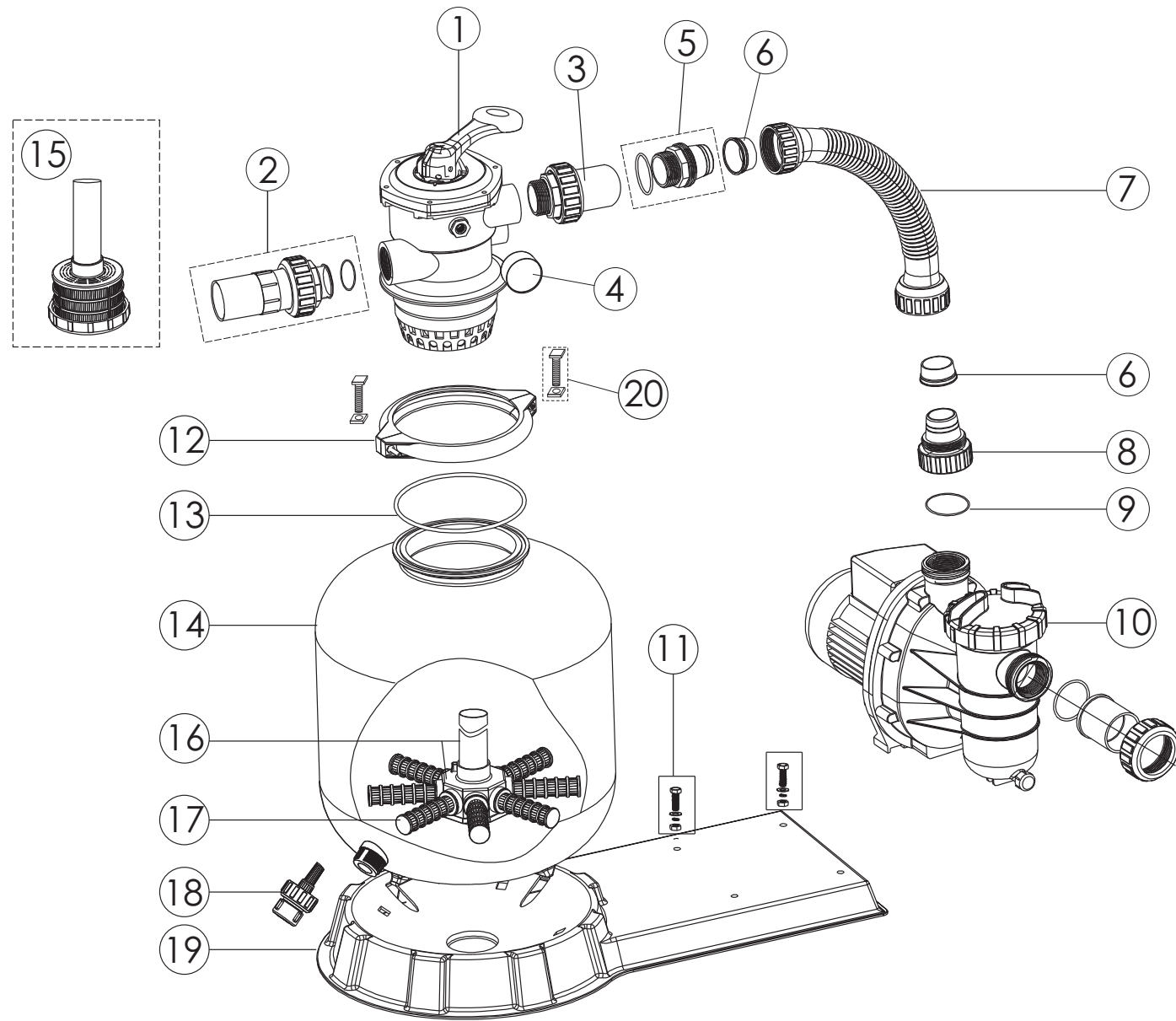
## Replacement Parts

Key No.	Part No.	Description	Piece(s) Required
1	88280105	1.5" Top Mount Valve	1
2	89280101	1.5" Union with Sight Glass and O-Ring	1
3	06011029	Oil Pressure Gauge with O-ring (40Psi)	1
3	01111048	Connector for Pressure Gauge/Stopper	1
4	89280102	1.5" Union Set with O-Ring	1
5	89030204	Hose Adaptor with O-Ring	1
6	02011026	Sleeve for Hose	2
7	89032002	FSF350-6W Plastic Hose with Nut	1
8	01013049	Hose Adaptor with Nut	1
9	02011104	O-Ring for 1.5" Union	1
10	88022402	FSF350-6W Pump (SS033)	1
11	89032001	Pump Assembly Screw	2
12	01111056	FSP/F350-4/6W Combo Base	1
13	89010107	Water Drain Set	1
14	89010106	V350 Lateral Assembly with Center Pipe	1
15	89010115	V350 Filter tank	1
16	02011134	O-Ring for Filter Neck	1
17	01271010	Clamp Lock	2
18	01181052	Fastener for Filter base	4
19	89010119	M6*50 Screws With Nut	2



# FSP Series Compact Filter System

Model: FSP350-6W, FSP400-6W, FSP450-6W, FSP500-6W, FSP650-6W



# FSP Series Compact Filter System

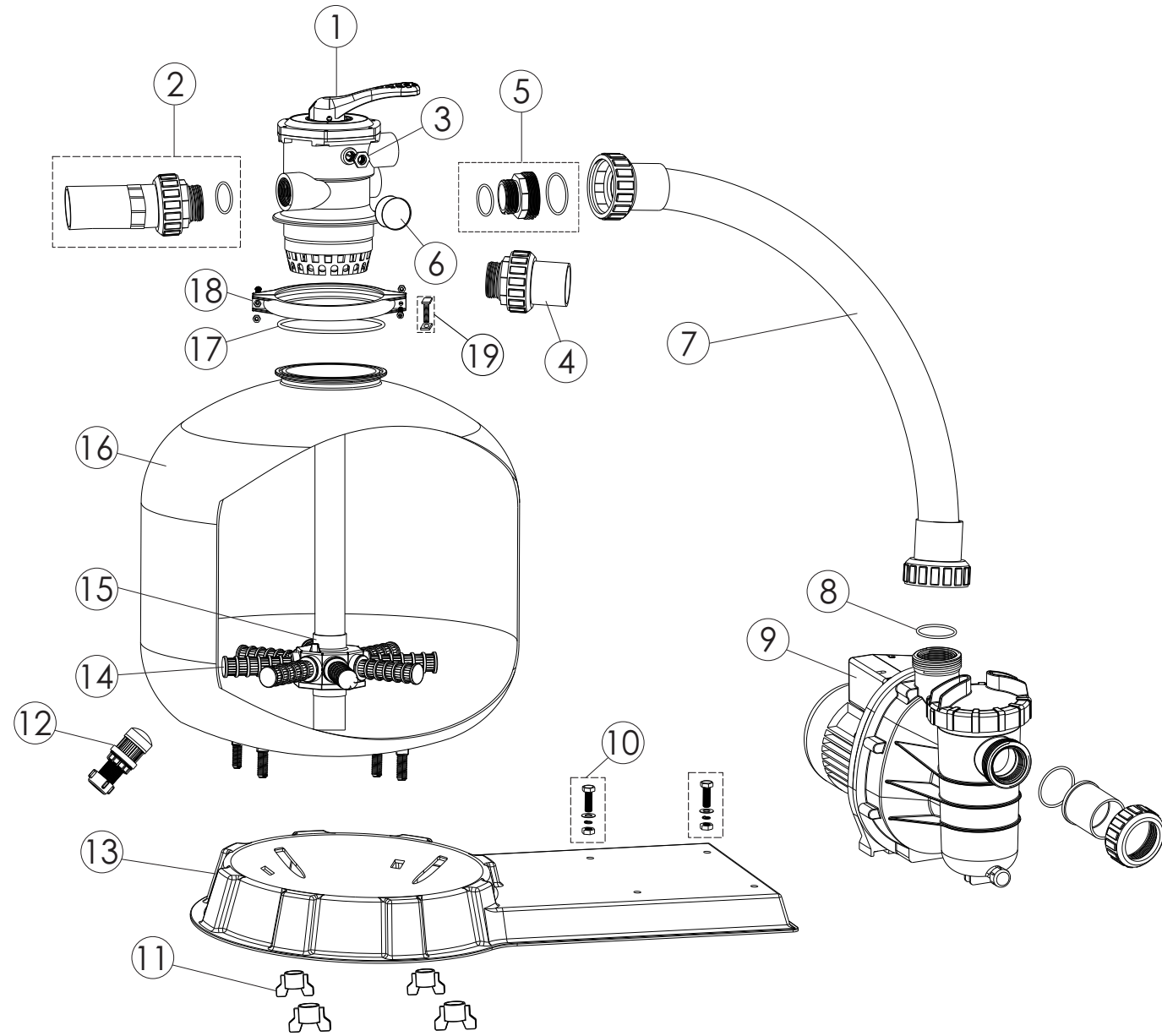
Model: FSP350-6W, FSP400-6W, FSP450-6W, FSP500-6W, FSP650-6W

## Replacement Parts

Key No.	Part No.	Description	Piece(s) Required
1	88280105	1.5" Top Mount Valve	1
2	89280101	1.5" Union with Sight Glass,O-Ring	1
3	89280102	1.5" Union Set With O-Ring	1
4	06021001	Plastic Pressure Gauge with O-Ring (35psi)	1
4	01111048	Connector for Pressure Gauge/ Stopper	1
5	89030204	Hose Adaptor with O-Ring	1
6	02011026	Sleeve for Hose	2
7	89031501	FSP350-6W Plastic Hose with Nut	1
7	89031601	FSP400-6W Plastic Hose with Nut	1
7	89031701	FSP450-6W Plastic Hose with Nut	1
7	89031801	FSP500-6W Plastic Hose with Nut	1
7	89031901	FSP650-6W Plastic Hose with Nut	1
8	01013049	Hose Adaptor with Nut	1
9	02011104	O-Ring for 1.5" Union	1
10	88022401	FSF350-4W Pump (SS020)	1
10	88022402	FSF400-6W Pump (SS033)	1
10	88022403	FSP450-6W Pump (SS050)	1
10	88022404/E071801	FSP500-6W Pump (SS075)	1
10	88022405/E071901	FSP650-6W Pump (SS100)	1
11	89032001	Pump Assembly Screw	2
12	01271010	Clamp Lock	2
13	02011134	O-Ring for Filter Neck	1
14	01331005	P350 Filter Tank	1
14	01331006	P400 Filter tank	1
14	01331007	SP/P450 Filter tank	1
14	01331008	SP/P500 Filter tank	1
14	01331010	SP/P650 Filter tank	1
15	89011602	P350 Lateral Assembly with Center Pipe	1
16	89011603	P400 Lateral Assembly with Center Pipe	1
16	89011604	P450 Lateral Assembly with Center Pipe	1
16	89011605	P500 Lateral Assembly with Center Pipe	1
16	89011606	P650 Lateral Assembly with Center Pipe	1
17	01172007	Laterals (115mm) for P/V400-P/V450	8
17	01172008	Laterals (126mm) for P/V500-P/V650	8
18	89011601	Water Drain Set	1
19	01111056	FSP/F350-4-6W Combo Base	1
19	01111053	FSP/F400-6W - FSP/F650-6W Combo base	1
20	89010119	M6*50 Screws with Nut	2

# FSF Series Compact Filter System

Model: FSF400-6W with SS050, FSF400-6W with SS075, FSF400-6W with SC100, FSF-4006W with SC150



# FSF Series Compact Filter System

Model: FSF400-6W with SS050, FSF400-6W with SS075, FSF400-6W with SC100, FSF-4006W with SC150

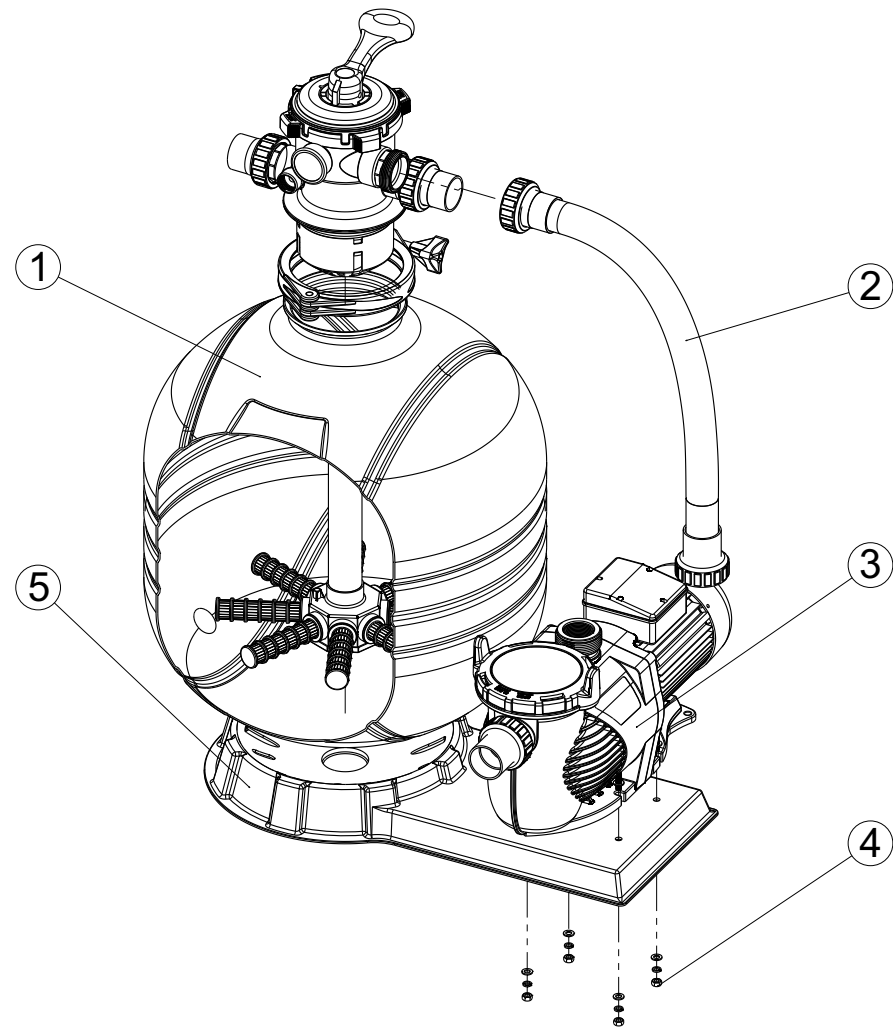
## Replacement Parts

Key No.	Part No.	Description	Piece(s) Required
1	88280105	1.5" Top Mount Valve	1
2	89280101	1.5" Union with Sight Glass and O-Ring	1
3	01111048	Connector for Pressure Gauge/Stopper	1
4	89280102	1.5" Union Set with O-Ring	1
5	89032102	1.5" Bulkhead Fitting with O-Ring	1
6	06011029	Oil Pressure Gauge with O-ring (40Psi)	1
7	89032103	FSF400-6W Plastic Hose with Nut	1
7	89032201	FSF450-6W Plastic Hose with Nut	1
7	89032301	FSF500-6W Plastic Hose with Nut	1
7	89032401	FSF650-6W Plastic Hose with Nut	1
8	02011104	O-Ring for 1.5" Union	1
9	88022403	FSF400-6W Pump(SS050)	1
9	88022404	FSF450-6W Pump(SS075)	1
9	E072301	FSF500-6W Pump(SC100)	1
9	E072401	FSF650-6W Pump(SC150)	1
10	89032001	Pump Assembly Screw	2
11	01181052	Fastener for Filter Base	4
12	89010107	Water Drain Set	1
13	01111053	FSP/F400-6W - FSP/F650-6W Combo Base	1
14	01172007	Laterals (115mm) for P/V400-P/V450	8
14	01172008	Laterals (126mm) for P/V500-P/V650	8
15	89010116	V400 Lateral Assembly with Center Pipe	1
15	89010105	V450 Lateral Assembly with Center Pipe	1
15	89010104	V500 Lateral Assembly with Center Pipe	1
15	89010103	V650 Lateral Assembly with Center Pipe	1
16	89010113	V400 Filter tank	1
16	89010112	V450 Filter tank	1
16	89010111	V500 Filter tank	1
16	89010110	V650 Filter tank	1
17	02011134	O-Ring for Filter Neck	1
18	01271010	Clamp Lock	2
19	89010119	M6*50 Screws with Nut	2



# FSM Series Filter System

Model: FSM17-6W, FSM20-6W, FSM24-6W

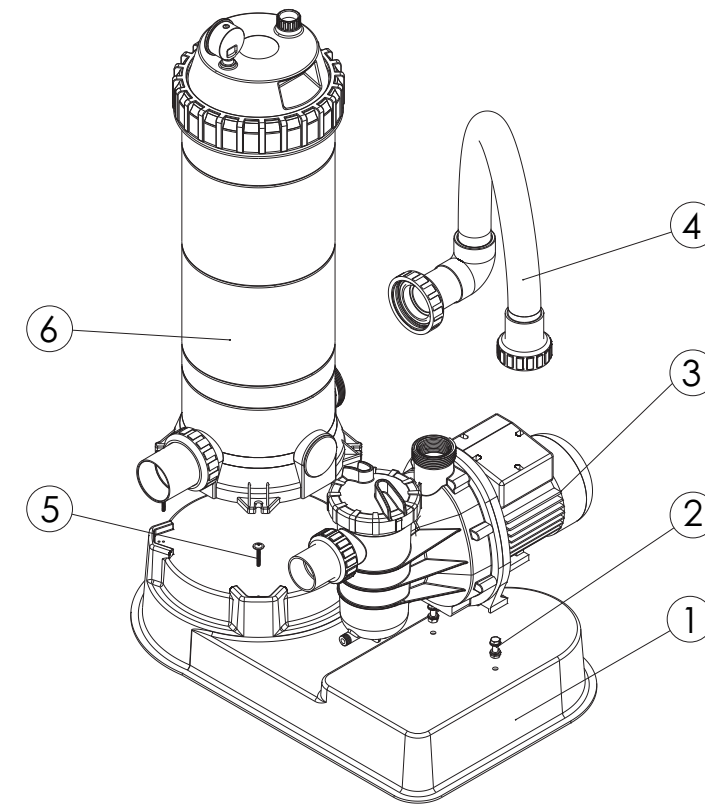


## Replacement Parts

Key No.	Part No.	Description	Piece(s) Required
1	9010101	Φ17" Top Mount Plastic Filter, 1.5" Valve	1
1	9010102	Φ20" Top Mount Plastic Filter, 1.5" valve	1
1	9010103	Φ24" Top Mount Plastic Filter, 1.5" valve	1
2	E070602	FSM+SPH Plastic Hose with Nut	1
2	E070603	FSM+SPH Plastic Hose with Nut	1
2	E070604	FSM+SPH Plastic Hose with Nut	1
3	88029604	SPH075 pump (220V/50Hz)	1
3	88029605	SPH100 pump (220V/50Hz)	1
3	88029607	SPH150 pump (220V/50Hz)	1
3	88029704	SPH075 pump (220V/60Hz)	1
3	88029705	SPH100 pump (220V/60Hz)	1
3	88029707	SPH150 pump (220V/60Hz)	1
4	112192685	External hex screw	4
4	112052659	Spring washer	4
4	590003024	Gasket	8
4	112102659	Outer hex nut	4
5	1111053	FSP/F400-6W - FSP/F650-6W Combo Base	1

# FSCO Series Filter System

Model: FSCO025+SS033, FSCO050+SS050, FSCO075+SS075, FSCO100+SS100, FSCO150+SS120



## Replacement Parts

Key No.	Part No.	Description	Piece(s) Required
1	470033902	Cartridge Filter Base	1
2	112192685	Outer Hexagonal Screw	2
2	112052659	Spring Washer	2
2	590003024	Shim	4
2	112102659	Nut	2
3	9020305	Pump (SS033)	1
3	9020308	Pump (SS050)	1
3	9020311	Pump (SS075)	1
3	9020314	Pump (SS100)	1
3	9020316	Pump (SS120)	1
3	9020330	Pump (SS033T)	1
3	9020331	Pump (SS050T)	1
3	9020332	Pump (SS075T)	1
3	9020333	Pump (SS100T)	1
3	9020334	Pump (SS120T)	1
4	E071002	FSCO+SS Plastic Hose with Nut	1
5	112032649	Self Tapping Screw	4
5	590004167	Shim (Non-standard)	4
6	914000437	Cartridge Filter (CF25 )	1
6	914000446	Cartridge Filter (CF50 )	1
6	914000447	Cartridge Filter (CF75)	1
6	914000448	Cartridge Filter (CF100 )	1
6	914000449	Cartridge Filter (CF150 )	1