



DURABLE AND EXCELLENT PERFORMANCE

FOR RESIDENTIAL POOL AND SPAS

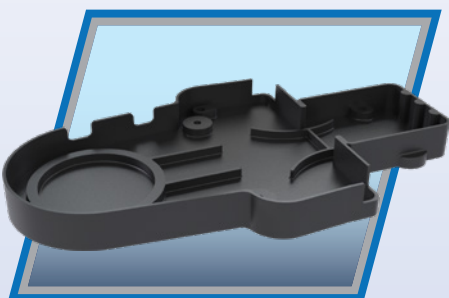


EFFICIENT AND RELIABLE

Emaux new E-Turbo single-speed pump combination of new pump body design and Emaux high performance motor, offer a more efficient and reliable solution for pool and spa. Noise reduction design and optimize water flow that delivering optimal performance. Emaux E-Turbo single-speed pump is designed for easy and hassle-free installation. This ensures a smooth and efficient installation process, saving time and effort. New design base to make the pump suitable for retrofitting into existing pool systems, providing an upgrade option for pool owners.



Special Design for E-Turbo pump



**Retro-Fit Replacement
Adjustable Base**



Ergonomic Handle & Lid

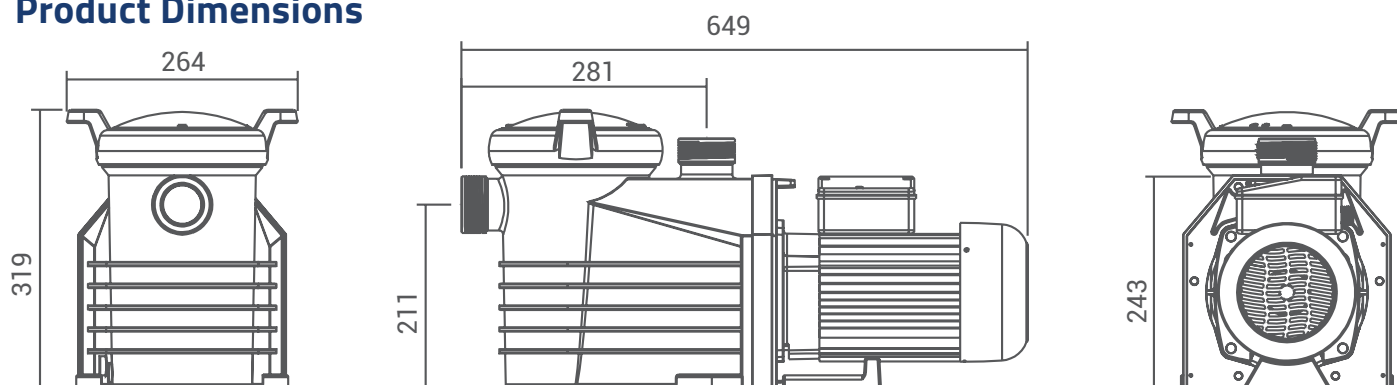


Enlarged 3L Strainer Basket

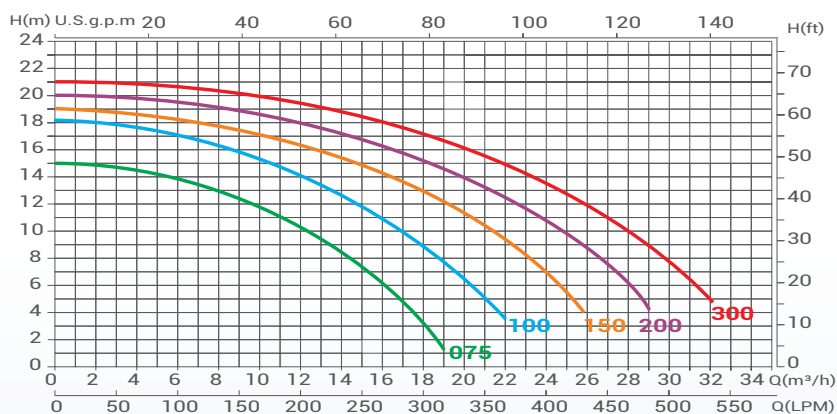
Product feature:

- Direct replacement for other model pumps
- Motor Insulation Class F
- Thermal or over current protection
- IPX5 Waterproof
- Asynchronous, two poles motor
- Self Priming up to 3.5m above water level
- Feasible union design for both imperial and metric standard
- Basket volume 3L

Product Dimensions



Technical Information



Remark: The performance curve above is for 50Hz models.

Model	Input (kW)	Current (AMP)	Noise (dB)	Head (m)					
				6	8	10	12	14	16
ET075	0.75	3.5	63	16	14.4	12.4	9.5	5.5	--
ET100	1.10	5	64	20.2	19.8	16.8	14.8	12	8.5
ET150	1.50	6.8	65	24.5	23.2	21.5	19.2	16.5	12.5
ET200	1.80	8.2	65	28	26.6	25	22.5	20	16.5
ET300	2.20	10	67	31.2	29.8	28	25.8	23.2	20



Code (230V 50H)	Code (230V 60H)	Model	Connection size	Housepower	Weight	Input Power	Capacitance
9022401	9022406	ET075	1.5"ID / 50mm ID, 2.0" OD / 63mm OD	0.75 hp	14.5 Kg	0.75 kW	20 µF
9022402	9022407	ET100	1.5"ID / 50mm ID, 2.0" OD / 63mm OD	1.0 hp	14.5 Kg	1.1 kW	25 µF
9022403	9022408	ET150	1.5"ID / 50mm ID, 2.0" OD / 63mm OD	1.5 hp	15 kg	1.5 kW	25 µF
9022404	9022409	ET200	1.5"ID / 50mm ID, 2.0" OD / 63mm OD	2.0 hp	15.2 kg	1.8 kW	30 µF
9022405	9022410	ET300	1.5"ID / 50mm ID, 2.0" OD / 63mm OD	3.0 hp	15.7 kg	2.2 kW	35 µF



EMAUX WATER TECHNOLOGY CO., LTD

**ADDRESS: Flat A-D, 20/F., Kai Bo 22, 22 Wing Kin Road,
Kwai Chung, HK**

PHONE +852 2832 9880

www.emauxgroup.com

● YOUR PREMIER SUPPLIER