



COMPETITION POOL
PRODUCTS CATALOGUE

www.emauxgroup.com

PRODUCT CONTENTS

PRODUCTS	PAGE
STARTING PLATFORM SUPER RACER 800	01
STARTING PLATFORM RACER 600	02
OVERFLOW BOARD STAND	02
TURN BOARD	02
RACING LANE	03
RACING LANE / DECK HOLE / OVERFLOW ANCHORS	04
LANE ROLLER & LANE SAVER	05
BACK STROKE & FALSE START SET	06
LIFEGUARD CHAIR	06
BLOCK PLATFORM	07
GRATING	08

STARTING PLATFORM

Super Racer 800

This is a premium starting platform suitable for top performance training and competition venues.

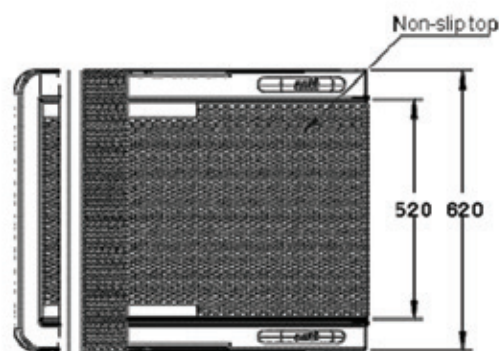
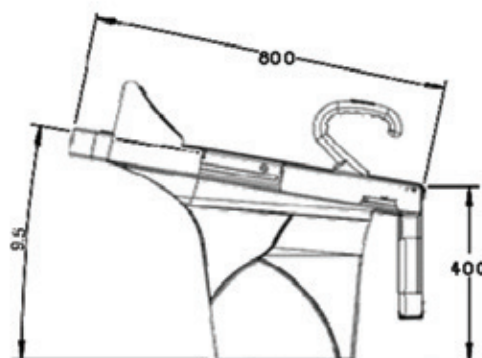
The platform includes the FINA Approved Moveable Track Start and Safe Start Handles.



€ Glass-Reinforced plastic (GRP) construction with SS316 fittings.

€ Movable Track Start (MTS) adjustable to 5 positions.

- Durable, non-slip Aquadeck® tread.
- Safe Start handles for fast starts and safety.
- Backstart handles reinforced with SS316 for safety and durability.
- Compatible with major electronic timing systems (including Omega RBD).
- 'No Dive' Covers available.



Product Order Code

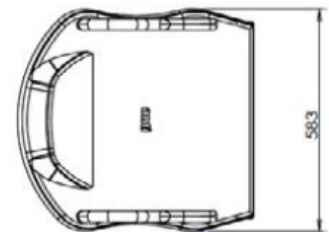
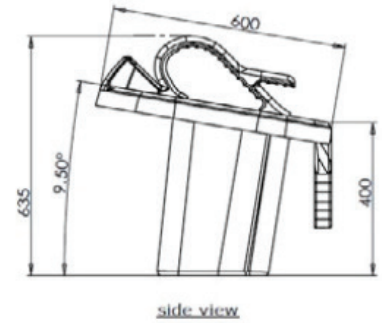
CODE	MODEL	PRODUCT	DESCRIPTION	WEIGHT	VOLUME
931166132	EOP017	SUPER RACER 800	GRP, 800mm Top	43kg	0.42m ³
931166133	EOP018	PLATFORM COVER	NO DIVING	2kg	0.05m ³

STARTING PLATFORM

Racer 600

It is designed for the requirements of competition and training pools.

- ☞ Glass-Reinforced plastic (GRP) construction with 316 SS fittings.
- ☞ Compliant with FINA starting platform guide lines FR2.7.
- ☞ Fixed Track Start and Safe Start handles for fast start times and safety.
- ☞ Back start handle is reinforced with SS316.
- ☞ Top features non-slip finish.

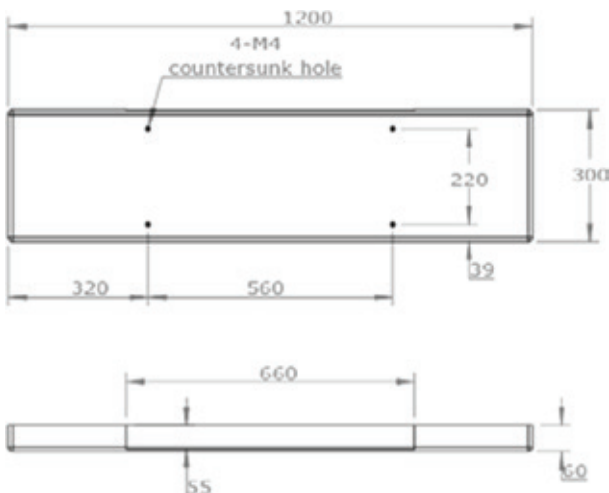


Product Order Code

CODE	MODEL	PRODUCT	DESCRIPTION	WEIGHT	VOLUME
931166135	EOP115	RACER 600	STARTING PLATFORM GRP, WHITE COLOR	19.5kg	0.27m ³

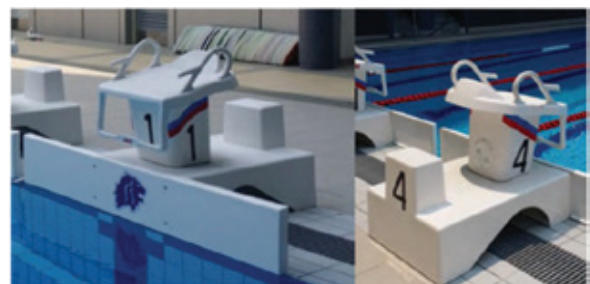
Overflow Block Stand

The Overflow BlockStand provides a stable and durable platform for the installation of blocks in an overflow pool environment.



Turn Board

Produced from FRP with SS316 fittings, the turn board provides positive confirmation of the pool end for the swimmer and attaches to the Overflow BlockStand with 4 x SS M4 Bolts.



Product Order Code

CODE	MODEL	PRODUCT	DESCRIPTION	WEIGHT	VOLUME
931166136	EOP020	OVERFLOW BLOCK STAND	GRP BLOCKSTAND	31kg	0.45m ³
931166137	EOP021	TURN BOARD GRP	GRP 1.2m x 0.3m	10kg	0.10m ³
931166138	EOP429	TURN BOARD GRP	GRP 2.0m x 0.3m	13kg	0.15m ³

RACING LANE

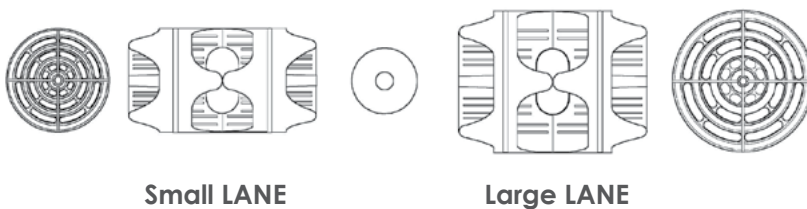
Super Tensioner Design:

- ☞ Meet FINA (2013-2017) requirements
- ☞ Threaded rod allows safe and simple lengthening or shortening of lane ropes.
- ☞ Stainless Steel rod with brass ferrule and glass filled polycarbonate body construction.
- ☞ Cable is SS316 with diameter of 3.1mm and max force of 5KN.
- ☞ Super tensioner body length including lock nut is 230mm.
- ☞ All fittings are marine grade SS316.
- ☞ Super Tensioner is tested up to 4kN line pressure, allowing high performance wave dissipation.



Product Order Code

CODE	MODEL	PRODUCT	DESCRIPTION	WEIGHT	VOLUME
931166122	EOP001	25m Small	Racing Lane 110mm diameter	29kg	0.34m ³
931166123	EOP002	25m Large	Racing Lane 150mm diameter	34kg	0.62m ³
931166124	EOP003	50m Small	Racing Lane 110mm diameter	57kg	0.68m ³
931166125	EOP004	50m Large	Racing Lane 150mm diameter	68kg	1.20m ³
931166126	EOP005	Super Tensioner	Lane tensioner with Short Clamp set	0.06kg	0.001m ³
931166127	EOP009	LONG Clamp	Supplied with SS Hook	0.1kg	0.001m ³



Small LANE

Large LANE



EOP009

- ☞ The small LANE 110mm is suitable for competition, water polo and general pool division.
- ☞ The large LANE 150mm is designed for optimal water dissipation and wave control in high turbidity competitive environments (shown above), such as top National and International competition venues.



EOP005



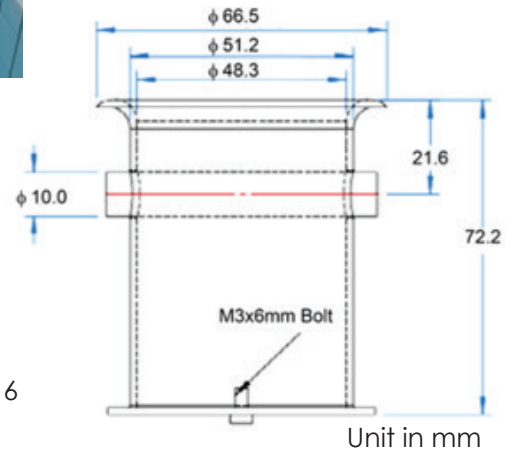
LANE ANCHORS

Racing Lane Anchors provide secure flush anchoring to the pool for lane ropes and goal lines.

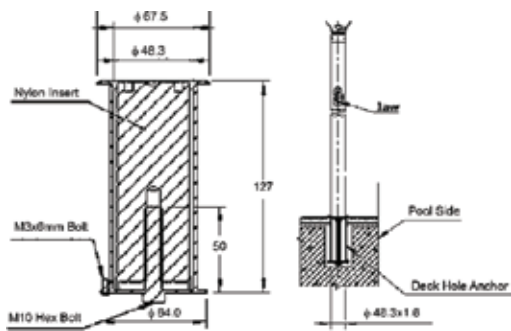
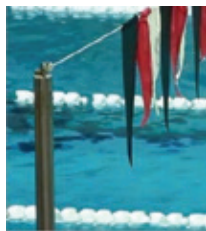
- ☞ SS316 Lane Anchor with 38.1mm or 48.3mm diameter x 72.2mm length.
- ☞ Optional Booker Rod may be used if required.
- ☞ Feature flush fitting end cap



Lane Anchor S316



Deck Hole Anchor S316

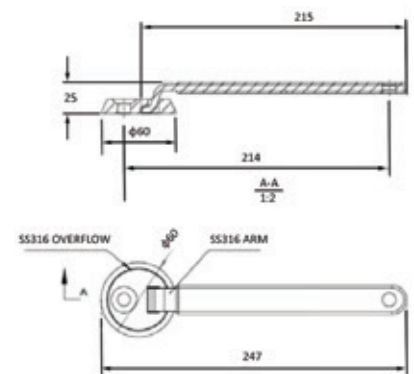


DECK HOLE ANCHORS

- ☞ Provides a flush and secure anchor for equipment.
- ☞ Fabricated from either marine grade SS316 or Nylon.
- ☞ SS316 Deck Hole available in 38.1mm x 100mm.
- ☞ Marine Nylon Deck Anchor (not pictured) available in 48.3mm x 125mm only.

OVERFLOW LANE ANCHORS

Overflow Lane Anchors provide secure anchoring of Lanes to the pool in overflow pools.



Product Order Code

CODE	MODEL	PRODUCT	DESCRIPTION	WEIGHT	VOLUME
931166128	EOP030	LANE ANCHOR	SS316, 38.1mm or 48.3mm dia. x 72.2mm	0.3 kg	0.001m ³
931166129	EOP031	DECK HOLE ANCHOR	SS316, 48.3mm x 125mm	0.54 kg	0.001m ³
931166130	EOP121	OVERFLOW LANE ANCHOR	SS316, 215mm length	0.38 kg	0.001m ³
931166131	EOP122	LANE ANCHOR HOOK	SS316 Hook, 200mm length	0.18 kg	0.001m ³

LANE ROLLER

- High capacity, unbeatable quality.
- Powder Coated Aluminum construction.
- Exceptional Capacity - holds up to 6 x 25m Small 110mm lanes or 4 x 25m Large 150mm.
- Strong SS316 Castor Wheels with brake.



Product Order Code

CODE	MODEL	PRODUCT	DESCRIPTION	WEIGHT	VOLUME
931166142	EOP010	STOREEL	ALU Lane Storage Reel	48kg	0.47m ³

LANE SAVER

Lane Saver provides a safe and quick removal and installation of racing lanes and prevent pool edge damage.

- Hooks over the pool edge to enable easy and safe removal of lanes.
- Produced from reinforced Fiber-reinforced plastic (FRP).



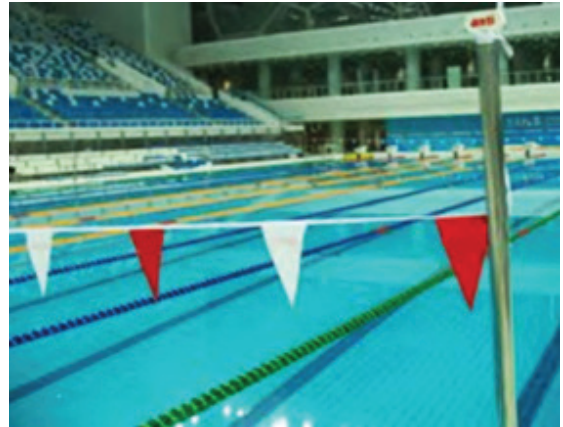
Product Order Code

CODE	MODEL	PRODUCT	DESCRIPTION	WEIGHT	VOLUME
931166147	EOP013	LANE SAVER	GRP LANE REMOVAL	3.25kg	0.07m ³

BACK STROKE & FALSE START SET

Contains a complete set of poles, flags, lines and pool deck fittings, including:

- € 2 x SS316 False Start Poles.
- € 1 x False Start Flags and Rope
- € 2 x Deck Hole Anchors
- € Three sizes available - 21m, 25m and 50m.



Product Order Code

CODE	MODEL	PRODUCT	DESCRIPTION	WEIGHT	VOLUME
931166139	EOP039	FALSE START SET WITH ANCHOR & ROPE	SS316 Poles x 2, DH Anchors x 2	30kg	0.40m ³
931166140	EOP032	BACKSTROKE SET w FLAGS	SS316 Poles x 2, DH Anchors x 2	54kg	0.65m ³

LIFEGUARD CHAIR

- € Sturdy Aluminum construction with white powder coating.
- € Nylon wheels allows the chair to be safely moved.
- € Rubber inserts protect the pool deck from scratches and ensures stable positioning.
- € Lifeguard chair has fittings for the mounting of a lifeguard buoy and Umbrella, both located just behind the seating location.
- € Height from ground to base of seat is 1895mm.
- € Base dimensions are 1200mm x 1200mm.
- € Total height to top of chair is 2000mm.



Product Order Code

CODE	MODEL	PRODUCT	DESCRIPTION	WEIGHT	VOLUME
931166141	EOP012	LIFEGUARD CHAIR	ALU LifeGuard Chair - 4 Step	51kg	1.24m ³

BLOCK PLATFORM

It is designed to provide a safe and efficient means of managing competition and fitness swimming in an overflow or 'wet deck' pool environment.

- ☞ Compliance FINA standard for competition and training events.
- ☞ Enables the installation of starting blocks and timing equipment in over flow pool environment
- ☞ Movable gratings on top and sides for quick and easy cleaning.
- ☞ Support most popular timing Systems and touch pads.
- ☞ Non-slip surface provides positive confirmation of the end of the pool to the swimmer as well as safe and speedy exiting of the pool.



Product Order Code

CODE	MODEL	PRODUCT	DESCRIPTION	WEIGHT	VOLUME
931166149	EOP023	FRP BLOCK PLATFORM	White FRP 2.5cm x 0.7m x 0.3m	60kg	0.80m ³
931166148	EOP024	HITECH BLOCK PLATFORM	White Extruded Plast 2.5m x 1m x 0.3m	100kg	1.00m ³

GRATING

Competition Pool Gratings connection joint by interlocking design that maximum strength and durability on the pool deck to provide better of comfort under the feet.

Features:

- ☞ Safe and non-toxic Polypropylene (PP) material with strong and durable interlocking connection joint between each grating.
- ☞ Anti-Slip's slip resistance grade is equivalent to DIN 51097 testing criteria, Category B.
- ☞ UV resistant and color consistent.
- ☞ Easy maintenance and cleaning
- ☞ Available in 250mm, 300mm, and 350mm width



White



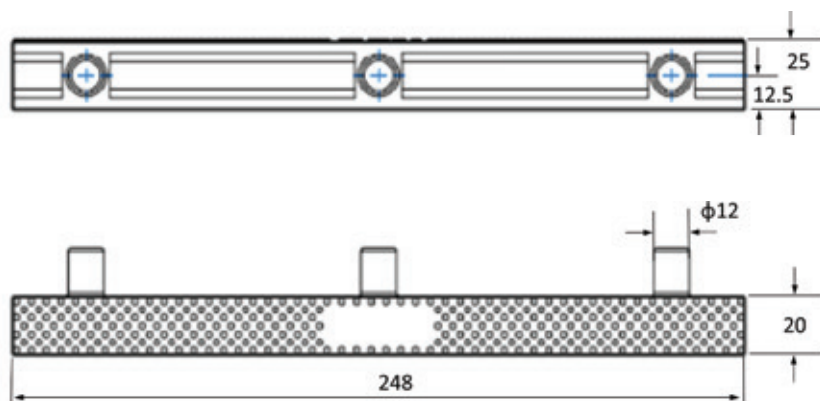
Grey



Blue

Product Order Code

CODE	MODEL	PRODUCT	DESCRIPTION	WEIGHT	VOLUME
931166144	EOP026	TRANSGRATE PP	250mm Width Grating	3kg	0.01m ³
931166145	EOP027	TRANSGRATE PP	300mm Width Grating	4.7kg	0.01m ³
931166146	EOP028	TRANSGRATE PP	350mm Width Grating	5.5kg	0.01m ³



Unit in mm



EMAUX WATER TECHNOLOGY CO., LTD

ADDRESS: Flat A-D, 20/F., Kai Bo 22,
22 Wing Kin Road, Kwai Chung, Hong Kong
PHONE +852 2832 9880
www.emauxgroup.com

 **YOUR PREMIER SUPPLIER**

ALL SPECIFICATIONS ARE SUBJECT TO CHANGE WITHOUT NOTICE.
© 2023 EMAUX WATER TECHNOLOGY CO., LTD. ALL RIGHTS RESERVED.



Websites and Social Media