

Cartridge Filter **CF SERIES**

COMPACT AND LIGHTWEIGHT
For residential pool and spa



UV resistant tank

Max Operating Pressure

250kPa/36psi(2.5bar)

Max Temperature

40°C (104°F)

Pool & Spa Equipment

 **Emaux**
water technology

www.emauxgroup.com

CF Series Cartridge Filter

comes with a UV resistant tank and a heavy duty ring-lock lid which allows easy cleaning and replacement of the cartridge element. A screw type air bleed valve releases trapped air inside the filter tank. The high quality oil-filled pressure gauge provides an easy overview of the operating pressure.

Product Information:

Code	Model with Standard Element	Code	Model with Anti-microbial Element	Filter Area (m ²)	Valve Connections	Max Flow Rate	A mm	B mm	C mm
88060101	CF25	914000001	CF25S	2.25	1.5" / 50mm	92lpm 5.5m ³ /h	445	387	225
88060102	CF50	914000002	CF50S	4.63	1.5" / 50mm	190lpm 11.4m ³ /h	625	567	225
88060103	CF75	914000003	CF75S	7.00	1.5" / 50mm	283lpm 17.0m ³ /h	805	747	225
88060104	CF100	914000004	CF100S	9.40	2.0" / 63mm	382lpm 22.9m ³ /h	985	927	225
88060105	CF150	914000005	CF150S	13.72	2.0" / 63mm	555lpm 33.4m ³ /h	1165	1107	225
88060106	CF200	914000006	CF200S	16.82	2.0" / 63mm	680lpm 40.9m ³ /h	1345	1287	225



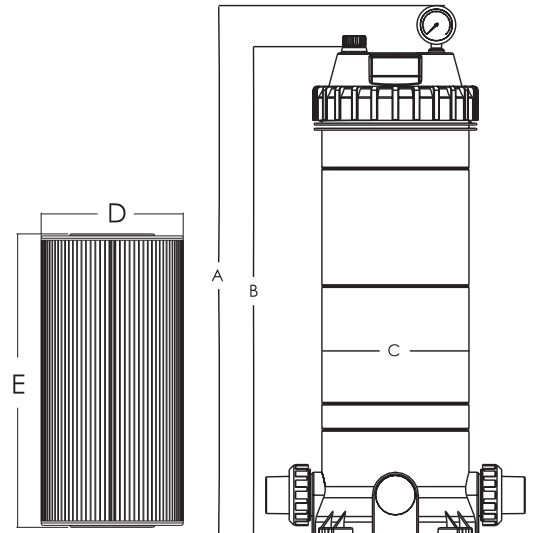
CF Series Filter is equipped with :

1. universal standard of union connection
2. pressure gauge
3. cartridge filter element



Cartridge Filter Element:

Code	Model (Standard)	Code	Model (Anti-microbial Element)	D mm	E mm	Micron μ m	Fold Number
88270101	CF25-CE	914100012	CF25S-CE	Ø183	184.5	15	150
88270102	CF50-CE	914100013	CF50S-CE	Ø183	364.5	15	150
88270103	CF75-CE	914100014	CF75S-CE	Ø183	544.5	15	150
88270104	CF100-CE	914100015	CF100S-CE	Ø183	724.5	15	150
88270105	CF150-CE	914100016	CF150S-CE	Ø183	904.5	15	175
88270106	CF200-CE	914100017	CF200S-CE	Ø183	544.5 x 2	15	180



EMAUX WATER TECHNOLOGY CO., LTD

ADDRESS: Flat A-D, 20/F., Kai Bo 22, 22 Wing Kin Road,
Kwai Chung, Hong Kong
PHONE +852 2832 9880
www.emauxgroup.com

Pool & Spa Equipment

YOUR PREMIER SUPPLIER

Available from:

ALL SPECIFICATIONS ARE SUBJECT TO CHANGE WITHOUT NOTICE
© EMAUX WATER TECHNOLOGY CO., LTD. ALL RIGHTS RESERVED.