



EXCELLENT PERFORMANCE MATCHLESS FILTRATION

FOR RESIDENTIAL & COMMERCIAL POOL AND SPA

GALAXY SERIES

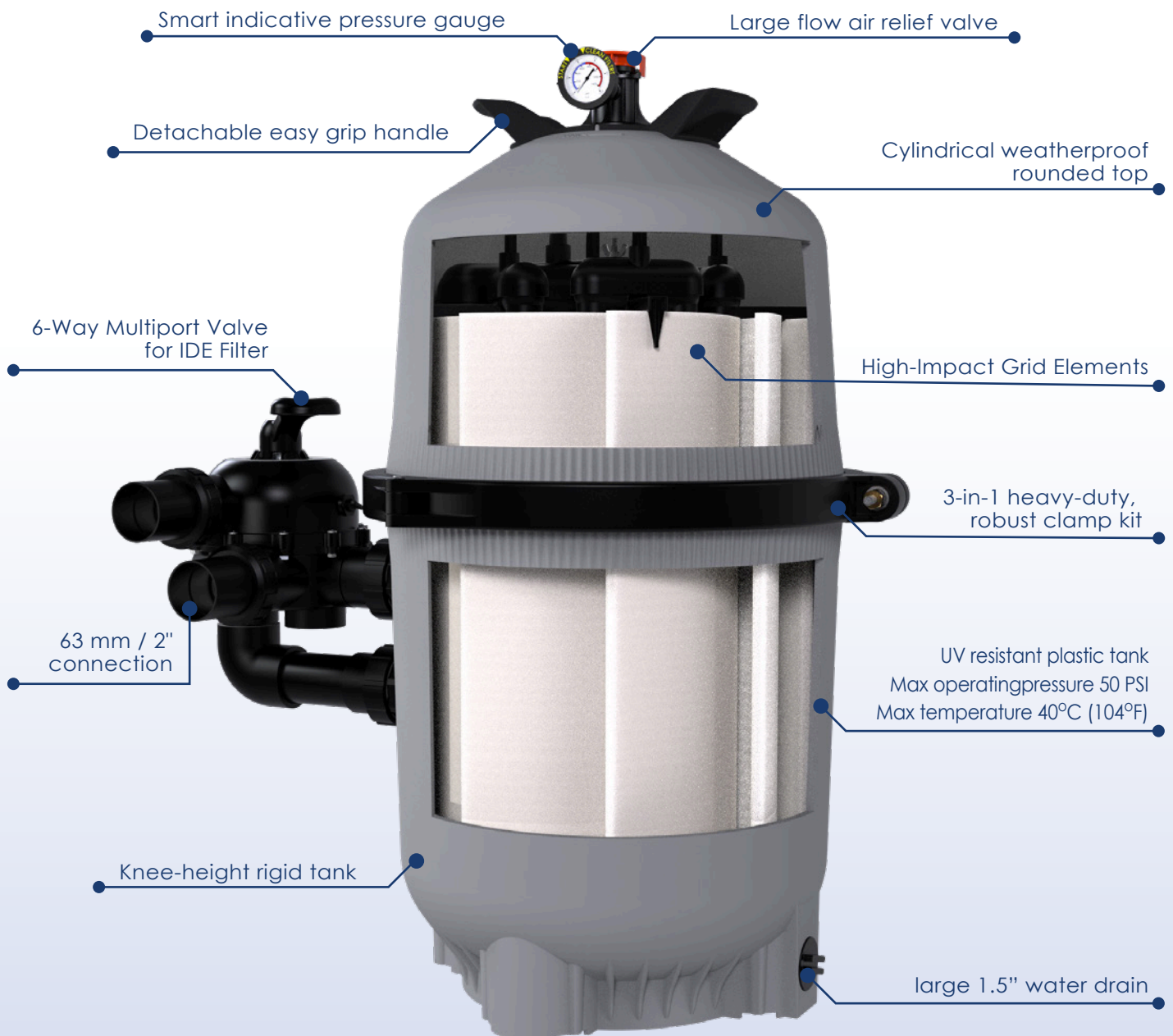
IDE FILTER



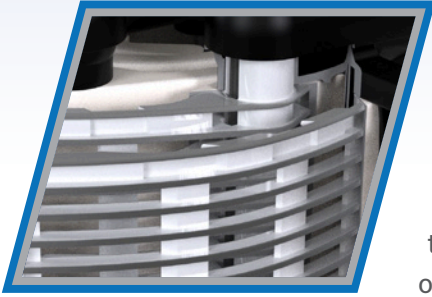
EXCEPTIONAL FILTRATION QUALITY

Galaxy IDE filters are known for their excellent filtration capabilities. The perlite or diatomaceous earth powder coats the filter grids, creating a fine, porous layer that can trap even the smallest particles, including dirt and debris. This results in cleaner and clearer pool water. They are particularly effective at removing microparticles, including fine dust, pollen, oils, and even some pathogens. This can contribute to a healthier and safer swimming environment for you and your family. The lower pressure of operation compared to other filters, IDE filters resulting in energy savings. Emaux offers a variety of IDE filter models and sizes to accommodate different pool sizes and filtration needs. This allows you to choose a filter that is specifically suited to your pool requirements.

Product Features:



Special Design for IDE Filter



Reinforced connections and frame

This ensures the grid's durability and prevents any potential leaks or damage during operation. It helps distribute the pressure evenly across the grid, preventing any potential damage or deformation during operation.

Polypropylene cloth

Polypropylene cloth exhibits exceptional resistance to degradation from pool chemicals. Its non-stick characteristics and robust durability simplify cleaning and maintenance, ensuring efficient capture and retention of even the tiniest particles and impurities found in pool water.

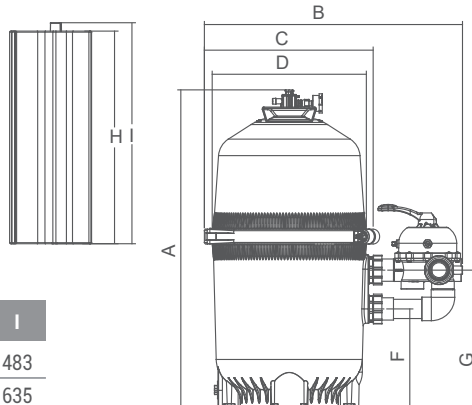


6-Way Multiport Valve For IDE Filter

The side mount filter valve special design for IDE Filter is made of ABS material with a heavy-duty plastic handle. Easy installation, maintenance, and servicing.

Galaxy Series IDE Filter is equipped with :

1. Universal standard of union connection
2. Pressure gauge
3. IDE filter element



Design Filtration Velocity

4.9 m³/h/m²
[2.0 gpm/ft²]

Max Operating Pressure

3.4 bar [50 psi]

Max Temperature

40°C [104°F]

Valve

6-Way Multiport Valve

Filter Element:

Code	Model	Description	H	I
92201001	IDE36-CE	Filter grid: 7+ 1 shot span	458	483
92201002	IDE48-CE	Filter grid: 7+ 1 shot span	610	635
92201003	IDE60-CE	Filter grid: 7+ 1 shot span	762	787
92201004	IDE72-CE	Filter grid: 7+ 1 shot span	914	939

Product Information:

Code	Model	Filter Area		Flow Velocity		Max Flow Rate			Recommended Amount Of D.E.		Recommended Amount Of Perlite		Valve Connections	A	B	C	D	E	F	G
		ft ²	m ²	gpm/ft ²	m ³ /h/m ²	gpm	lpm	m ³ /h	lbs	kgs	lbs	kgs		mm	mm	mm	mm	mm	mm	mm
9220001	IDE36	36	3.3	2.0	4.9	72	269	16.14	4.5	2.0	3.4	1.5	2.0" / 63 mm	886	895	556	504	462	317.5	444.5
9220002	IDE48	48	4.4	2.0	4.9	96	359	21.54	6.0	2.7	4.5	2.0	2.0" / 63 mm	1035	895	556	504	462	317.5	444.5
9220003	IDE60	60	5.5	2.0	4.9	120	448	26.88	7.5	3.4	5.6	2.6	2.0" / 63 mm	1223	895	556	504	462	317.5	444.5
9220004	IDE72	72	6.6	2.0	4.9	144	538	32.28	9.0	4.1	6.8	3.1	2.0" / 63 mm	1362	895	556	504	462	317.5	444.5



EMAUX WATER TECHNOLOGY CO., LTD

**ADDRESS: Flat A-D, 20/F., Kai Bo 22, 22 Wing Kin Road,
Kwai Chung, HK**

PHONE +852 2832 9880

www.emauxgroup.com

◆ YOUR PREMIER SUPPLIER



ALL SPECIFICATIONS ARE SUBJECT TO CHANGE WITHOUT NOTICE.
© EMAUX WATER TECHNOLOGY CO., LTD. ALL RIGHTS RESERVED.