

Super-Power Variable Speed Pump

MAXIMIZES HYDRAULIC PERFORMANCE

For residential pools and water features



 **Emaux**
water technology



RoHS
COMPLIANT
2002/95/EC



SAA

Pool & Spa Equipment

SIGNATURE COLLECTION



With Advanced Menu

One touch controller - total control at your finger tips.
Pre-set speed programs and schedules, offer the most efficient pool, spa, or any connected water feature.

Product Features

- 1) External control of Wi-Fi Direct (AP mode) or Home Network STA Mode
- 2) Permanent Magnet Motor (PMM), Totally Enclosed Fan Cooled (TEFC)
- 3) Pump casing ABS + glass fiber, Impeller PPO, Strainer basket and base in PP + Glass fiber
- 4) Motor shaft - SS316, Seals bellows - EPDM, stationary face - SIC, rotating face - Graphite, Spring - SS316
- 5) Super quiet operation when running at low RPM mode
- 6) IPX Waterproof Standard

Motor Advantages

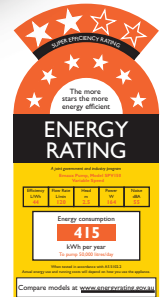
Emaux Super-Power Variable Speed Pump uses the latest Permanent Magnet Motor (PMM) technology, which produces a magnetic field between the rotor and windings. The energy-saving is derived from the ability to reduce the RPM of the motor itself. A standard motor consumes electricity to induce the magnetic field into the rotor. On the other hand, a permanent magnet motor gains efficiency by the magnets working on spinning the rotor, achieving an energy cost saving of up to 80%.

The design of (Totally Enclosed Fan Cooled) TEFC Motor also increases the reliability and durability for use in all weather conditions. The AISI316 stainless steel motor shaft and shaft seal also ensure reliability and compatibility with saltwater pools.

Ultra Energy Efficiency

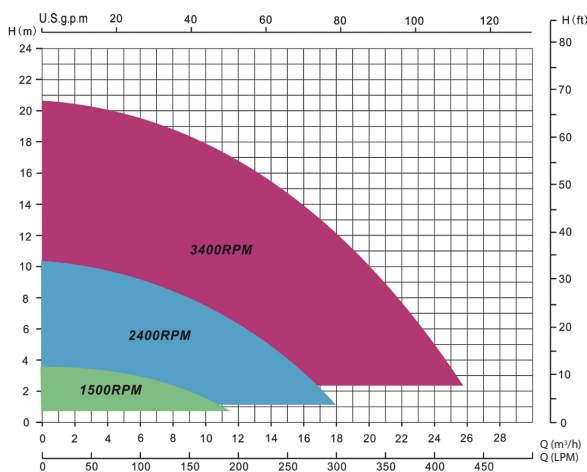
Emaux Super-Power Variable Speed Pump reduces the energy use of your pool, spa, and water features. Thanks to its higher efficiency, it eliminates over-usage and reduces equipment maintenance costs.

Compared to the Emaux Super-Power Variable speed pump, traditional single-speed pumps run continuously and inefficiently at maximum load incurring high running costs. Reduced speed provides slower water circulation rates and puts less strain on the complete installation such as filter, sanitization and plumbing. It reduces the wear-and-tear factor ending in significant savings for the pool owner.

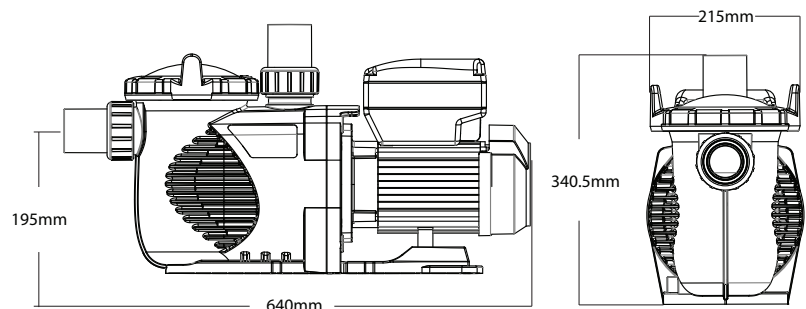


Technical Information

SPV150 220-240V-50Hz/60Hz



Product Dimensions



Code	Model	Power	Connection size	Weight	Input Power	Housepower	RPM
9023302	SPV150-RS485	220-240V, 50Hz/60Hz	1.5" ID / 50mm ID, 2.0" OD / 63mm OD	18.5Kg	1.3kW	1.5hp	800-3400
9023303	SPV150-WIFI+RS485	220-240V, 50Hz/60Hz	1.5" ID / 50mm ID, 2.0" OD / 63mm OD	18.5Kg	1.3kW	1.5hp	800-3400

New Connectivity and External Control

1. Wi-Fi Direct (AP mode) or Home Network STA Mode
2. RS485 communication port

Wi-Fi connectivity:

1. IEEE802.11, 2.4GHz, b/g/n
2. Internal antenna, open area 25m
3. Data throughput 300Mbits



Modbus:

1. RTU over RS-485
2. Support all standard Modbus protocol equipment
3. Isolated AB data bus
4. Max Baud Rate 9600 bps



EMAUX WATER TECHNOLOGY CO., LTD

ADDRESS: Flat A-D, 20/F., Kai Bo 22, 22 Wing Kin Road,
Kwai Chung, Hong Kong

PHONE +852 2832 9880

www.emauxgroup.com

 **YOUR PREMIER SUPPLIER**

Available from:

ALL SPECIFICATIONS ARE SUBJECT TO CHANGE WITHOUT NOTICE.
© 2018 EMAUX WATER TECHNOLOGY CO., LTD. ALL RIGHTS RESERVED.

www.emauxgroup.com