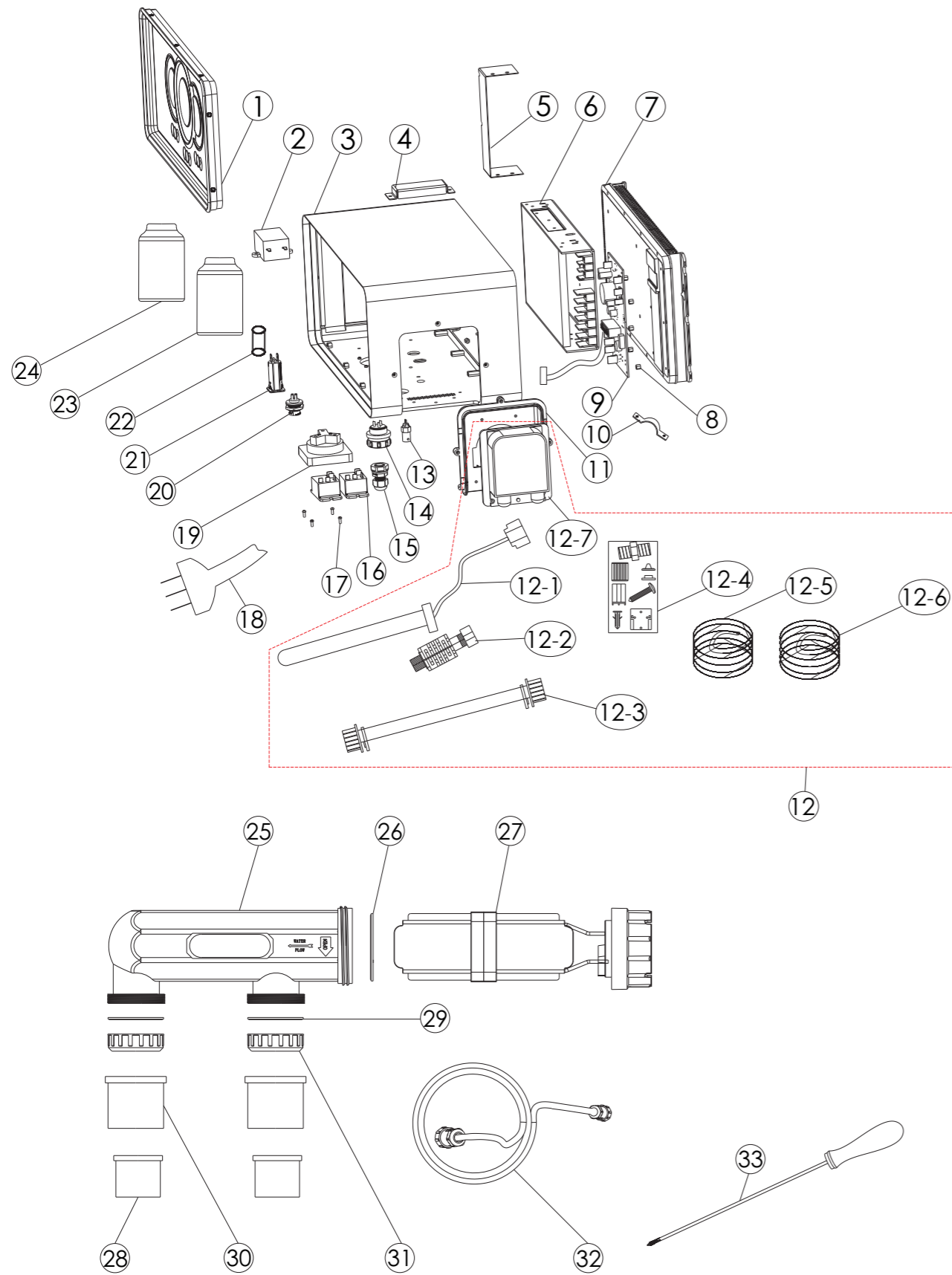


DISINFECTION SYSTEM PARTS

*Replacement Parts
for Disinfection Systems*





Replacement Parts

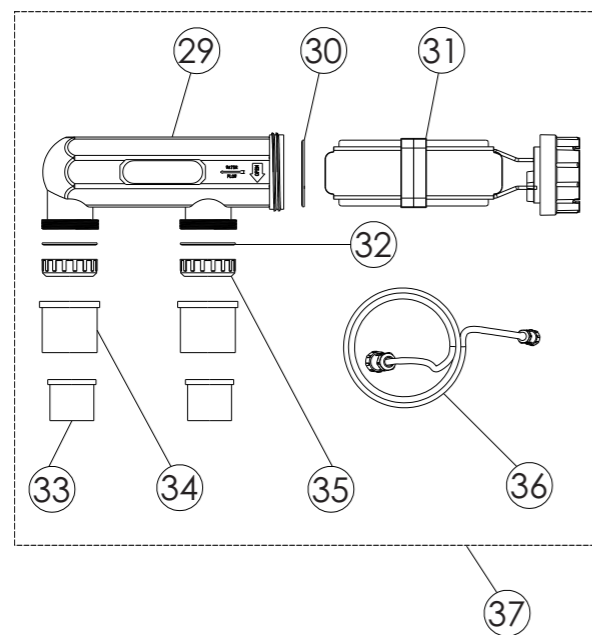
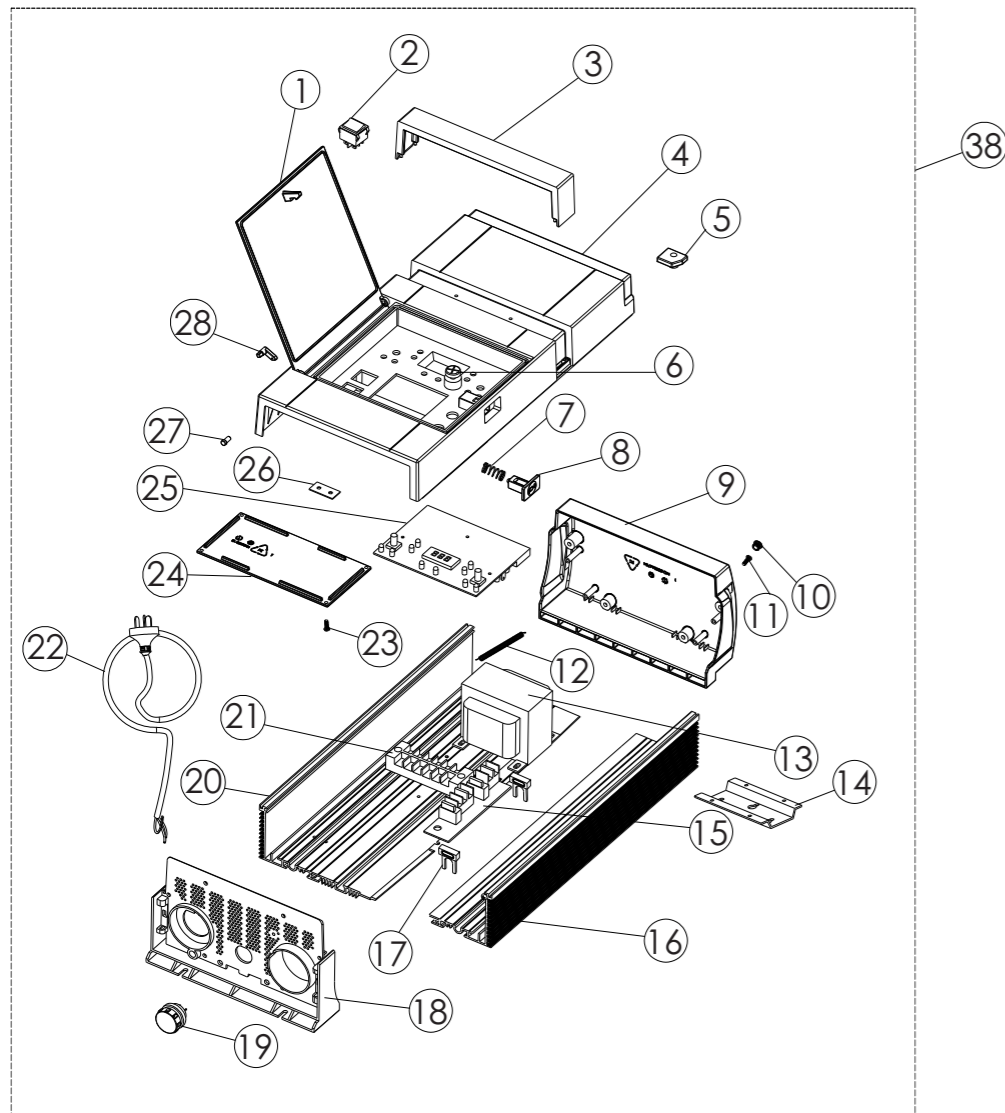
Key No.	Part No.	Description	Piece(s) Required
1	E130018	SSCone Lid with Touch Panel	1
1	112222741	Screw M2.5*10(for SSCone lid)	14
2	106090003	Filter	1
2	112222675	Screw M4*8(for filter)	2
3	530185745	Casing	1
4	530176754	Exhaust Cover for casing	1
4	112222674	Screw M4*6(for Exhaust Cover)	2
5	530176837	Exhaust Cover for SMPS	1
5	112222674	Screw M4*6 (for Exhaust Cover)	4
6	106326825	Switch Mode Power Supply(SMPS)	1
6	112000040	Screw M4*12(for SMPS)	4
7	530105745	Bottom Casing	1
7	112000037	Screw M4*60B(for Bottom Casing)	2
7	112232645	Screw M4*14(for Bottom Casing)	12
8	178497	Nylon Column M3*5	6
9	E130019	PCB with 4 pins cable (with thermal pad)	1
9	112222742	Screw M3*10(for PCB)	6
10	420180886	Cable Clip	1
10	112222675	Screw M4*8(for Cable Clip)	2
11	540005780	Bottom lid of dosing pump	1
11	112000036	Screw M2.5*10(for Bottom lid of dosing pump)	6
12	31683901	Dosing Pump (with pH Probe and accessories 12-1 to 12-7)	1
12-1	178503	pH Probe	1
12-2	178504	Probe Cover	1
12-3	178505	Tube	1
12-4	178506	Dosing accessories pack	1
12-5	178507	Suction Tube	1
12-6	178508	Discharging Tube	1
12-7	31695001	Dosing Pump Only (without accessories)	1
13	1062670003	pH socket (BNC)	1
14	106481502	SP Power Point	2
15	106234778	PG9 Cable lock	1
15	112222675	Screw M4*8(for PG9 cable lock)	2
16	106090002	Relay	2
16	112222675	Screw M4*8(for Relay)	4
17	112000021	Screw M4*10(for earth cable)	1
18	105021259	Cable with Euro Plug	1
18	105011249	Cable with Australia Plug	1
18	105061272	Cable with USA Plug	1
19	106116849	Euro Power Socket	1
19	106116848	Australia Power Socket	1
19	106116847	USA Power Socket	1
19	E130026	Screw M4*16(for power socket)	4
20	106486840	Pool Cover Socket	1
20	106486851	Pool Cover contact	1
21	106306844	Overcurrent Protector	1
22	106090006	Ferrite	3
23	109007168	Buffer Solution pH4 (50ml)	1
24	109007167	Buffer Solution pH10 (50ml)	1
25	530040442	Cell Housing	1
26	111192492	O-Ring for Housing	1
27	08050019	Replacement Cells for SSC25 & SSC50	1
28	01171155	1.5" Union(A/E)	2
29	111202472	O-Ring for Union	2
30	430300989	2.0" Union (A/E)	2
31	430170991	2.0" Union Nut	2
32	9130021	Salt Chlorinator Cable Set	1
33	178512	Ø3x200 Screw knife	1

Superior SSC Series Salt Chlorinator

Model: SUC15-E, SUC25-E, SUC50-E

Superior SSC Series Salt Chlorinator

Model: SUC15-E, SUC25-E, SUC50-E



Replacement Parts

Key No.	Part No.	Description	Piece(s) Required
1	530096784	Door Model	1
2	106171404	Switch I O 250VAC	1
3	530186785	Bar Model SUC	1
4	530086784	Front Panel	1
5	570336784	Wall Hanger	1
6	E130011	Fuse 2. 5A with socket SSC/SUC15	1
6	E130010	Fuse 6. 3A with Socket SSC/SUC 25/50	1
7	112010051	Spring	1
8	570636784	Lock	1
9	530066784	Top Cover	1
10	111040047	Silicon stopper	4
11	112002636	M4 x 10 Screw	27
12	112062661	Spring	1
13	106166313	Transformer for SSC/SUC15	1
13	106166314	Transformer for SSC/SUC25	1
13	106166315	Transformer for SSC/SUC50	1
14	116113342	Hanging Bracket	1
*15	E130052	SSC/SUC15 Silicon contrlled combination (ver1. 5)	1
*15	E130053	SSC/SUC25 Silicon contrlled combination (ver1. 5)	1
*15	E130054	SSC/SUC50 Silicon contrlled combination (ver1. 7)	1
16	1160970007	Heat Sink B	1
17	106147653	Fuse 30A for SSC/SUC50	2
18	530100443	Bottom Panel Comp	1
19	106485903	SP Power Point 2112/S	1
20	1160970006	Heat Sink A	1
21	106415534	Terminal block	1
22	105021259	Power Cord France	1
23	112232743	M3 x8 screw	10
24	530076784	Proteciton sheet	1
*25	E130036	SUC15 PCB Control Complete (ver5. 7. 1)	1
*25	E130037	SUC15 PCB Control Complete (ver5. 7. 1)	1
*25	E130038	SUC50 PCB Control Complete (ver5. 7. 1)	1
26	530110445	Cable clamp	1
27	570646784	Binder	1
28	570966784	Roller	1
29	530040442	Cell Housing	1
30	111192492	O-Ring for Housing	1
31	9130010	Replacement Cells for SSC15	1
31	9130009	Replacement Cells for SSC25/50	1
32	111202472	O-Ring for Union	2
33	430300943	1. 5" Union	2
34	430300989	2. 0" Union	2
35	430170991	2. 0" Union Nut	2
36	9130021	Salt Chlorinator Cable Set	1
37	9130022	Complete Cell kits for SSC15 (with cable)	1
38	9130023	Complete Cell kits for SSC25&SSC50 SSCone (with cable)	1

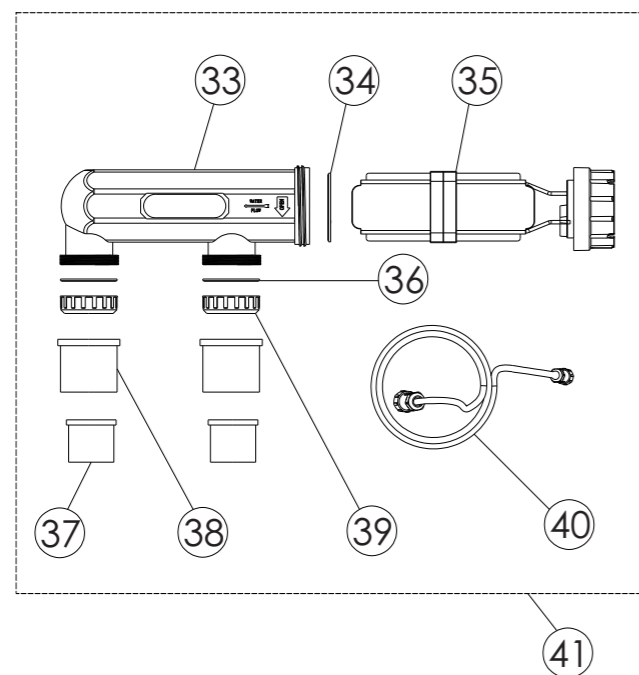
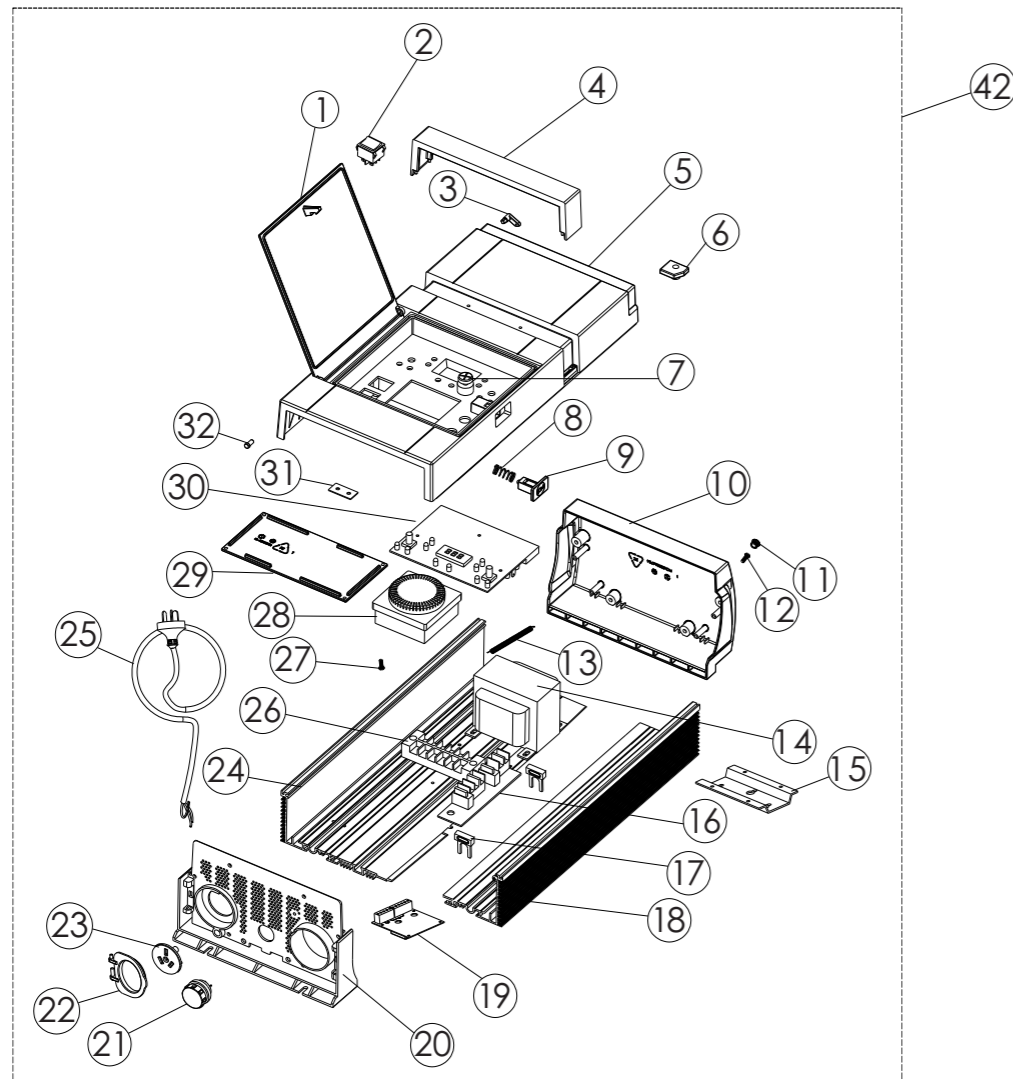
Notes: *15 E130049 SSC/SUC15 Silicon contrlled combination (ver1. 4)
 *15 E130050 SSC/SUC25 Silicon contrlled combination (ver1. 4)
 *15 E130051 SSC/SUC50 Silicon contrlled combination (ver1. 6)
 *25 E130033 SUC15 PCB Control Complete (ver5. 7)
 *25 E130034 SUC15 PCB Control Complete (ver5. 7)
 *25 E130035 SUC50 PCB Control Complete (ver5. 7)

Superior SSC Series Salt Chlorinator

Model: SUC15-T SUC25-T SUC50-T

Superior SSC Series Salt Chlorinator

Model: SUC15-T SUC25-T SUC50-T



Replacement Parts

Key No.	Part No.	Description	Piece(s) Required
1	530096784	Door Model	1
2	106171405	Switch I O II 250VAC	1
3	570966784	Roller	1
4	530186785	Bar Model SUC	1
5	530086784	Front Panel	1
6	570336784	Wall Hanger	1
7	E130011	Fuse 2. 5A with socket SSC/SUC15	1
7	E130010	Fuse 6. 3A with Socket SSC/SUC25/50	1
8	112010051	Spring	1
9	570636784	Lock	1
10	530066784	Top Cover	1
11	111040047	Silicon stopper	4
12	112002636	M4 x 10 Screw	30
13	112062661	Spring	1
14	106166313	Transformer for SSC/SUC15	1
14	106166314	Transformer for SSC/SUC25	1
14	106166315	Transformer for SSC/SUC50	1
15	116113342	Hanging Bracket	1
*16	E130052	SSC/SUC15 Silicon contrlled combination (ver1. 5)	1
*16	E130053	SSC/SUC25 Silicon contrlled combination (ver1. 5)	1
*16	E130054	SSC/SUC50 Silicon contrlled combination (ver1. 7)	1
17	106147653	Fuse 30A for SSC/SUC50	2
18	1160970007	Heat Sink B	1
19	E130042	EMC Board (without Light) (ver2. 0)	1
20	530100444	Bottom Panel Comp	1
21	106485903	SP Power Point 2112/S	1
22	E130025	Component Enclosure Plate	1
23	106111391	250V/10A Jack for Australia	1
24	1160970006	Heat Sink A	1
25	105021259	Power Cord France	1
26	106415534	Terminal block	1
27	112232743	M3 x8 screw	10
28	106591524	Timer Analogue Battery Pack	1
29	530076784	Protectiton sheet	1
*30	E130036	SUC15 PCB Control Complete (ver5. 7. 1)	1
*30	E130037	SUC15 PCB Control Complete (ver5. 7. 1)	1
*30	E130038	SUC50 PCB Control Complete (ver5. 7. 1)	1
31	530110445	Cable clamp	1
32	570646784	Binder	1
33	530040442	Cell Housing	1
34	111192492	O-Ring for Housing	1
35	9130010	Replacement Cells for SSC15	1
35	9130009	Replacement Cells for SSC25/50	1
36	111202472	O-Ring for Union	2
37	430300943	1. 5" Union	2
38	430300989	2. 0" Union	2
39	430170991	2. 0" Union Nut	2
40	9130021	Salt Chlorinator Cable Set	1
41	9130022	Complete Cell kits for SSC15 (with cable)	1
42	9130023	Complete Cell kits for SSC25&SSC50 SSCone (with cable)	1

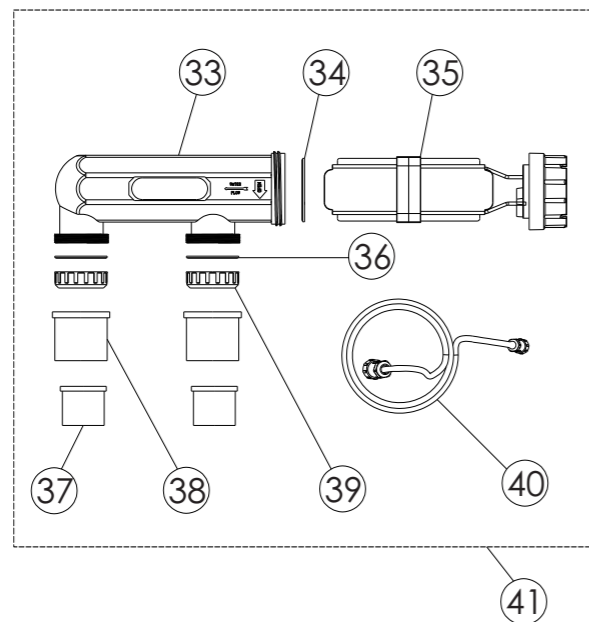
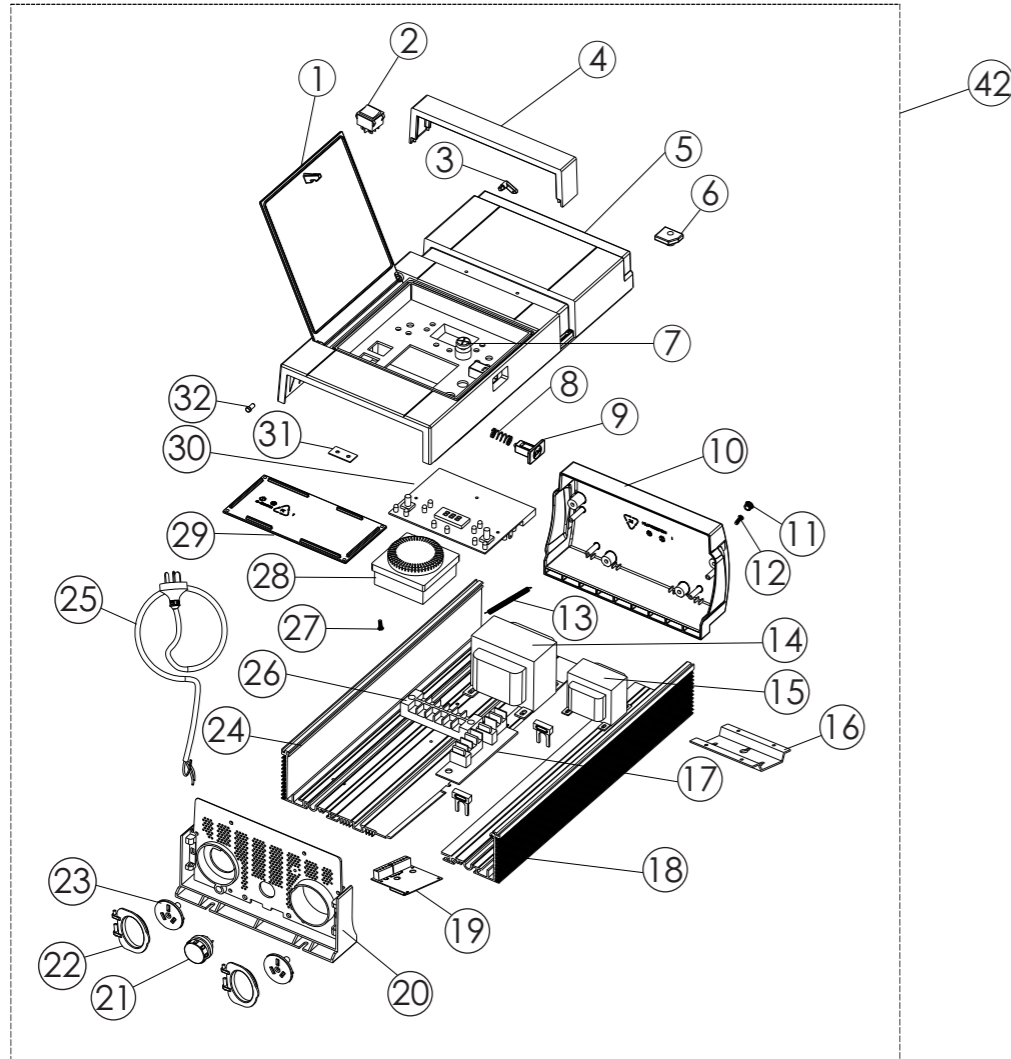
Notes : *16 E130049 SSC/SUC15 Silicon contrlled combination (ver1. 4)
 *16 E130050 SSC/SUC25 Silicon contrlled combination (ver1. 4)
 *16 E130051 SSC/SUC50 Silicon contrlled combination (ver1. 6)
 *30 E130033 SUC15 PCB Control Complete (ver5. 7)
 *30 E130034 SUC15 PCB Control Complete (ver5. 7)
 *30 E130035 SUC50 PCB Control Complete (ver5. 7)

Superior SSC Series Salt Chlorinator

Model: SUC15-TLT SUC25-TLT

Superior SSC Series Salt Chlorinator

Model: SUC15-TLT SUC25-TLT



Replacement Parts

Key No.	Part No.	Description	Piece(s) Required
1	530096784	Door Model	1
2	106171405	Switch I O II 250VAC	1
3	570966784	Roller	1
4	530186785	Bar Model SUC	1
5	530086784	Front Panel	1
6	570336784	Wall Hanger	1
7	E130011	Fuse 2. 5A with socket SSC/SUC15	2
7	E130010	Fuse 6. 3A with Socket SSC/SUC25 (2. 5A for underwater light)	1
8	112010051	Spring	1
9	570636784	Lock	1
10	530066784	Top Cover	1
11	111040047	Silicon stopper	4
12	112002636	M4 x 10 Screw	31
13	112062661	Spring	1
14	106166313	Transformer for SSC/SUC15	1
14	106166314	Transformer for SSC/SUC25	1
15	106161579	Transformer for Lighting	1
16	116113342	Hanging Bracket	1
*17	E130052	SSC/SUC15 Silicon contrlled combination (ver1. 5)	1
*17	E130053	SSC/SUC25 Silicon contrlled combination (ver1. 5)	1
18	1160970007	Heat Sink B	1
19	E130041	EMC Board (with Light) (ver2. 0)	1
20	530100444	Bottom Panel Comp	1
21	106485903	SP Power Point 2112/S	1
22	E130025	Component Enclosure Plate	2
23	106111391	250V/10A Jack for Australia	2
24	1160970006	Heat Sink A	1
25	105021259	Power Cord France	1
26	106415534	Terminal block	1
27	112232743	M3 x8 screw	10
28	106591524	Timer Analogue Battery Pack	1
29	530076784	Protectiton sheet	1
30	E130036	SUC15 PCB Control Complete (ver5. 7. 1)	1
30	E130037	SUC15 PCB Control Complete (ver5. 7. 1)	1
*31	530110445	Cable clamp	1
32	570646784	Binder	1
33	530040442	Cell Housing	1
34	111192492	O-Ring for Housing	1
35	9130010	Replacement Cells for SSC15	1
35	9130009	Replacement Cells for SSC25/50	1
36	111202472	O-Ring for Union	2
37	430300943	1. 5" Union	2
38	430300989	2. 0" Union	2
39	430170991	2. 0" Union Nut	2
40	9130021	Salt Chlorinator Cable Set	1
41	9130022	Complete Cell kits for SSC15 (with cable)	1
42	9130023	Complete Cell kits for SSC25&SSC50, SSCone (with cable)	1

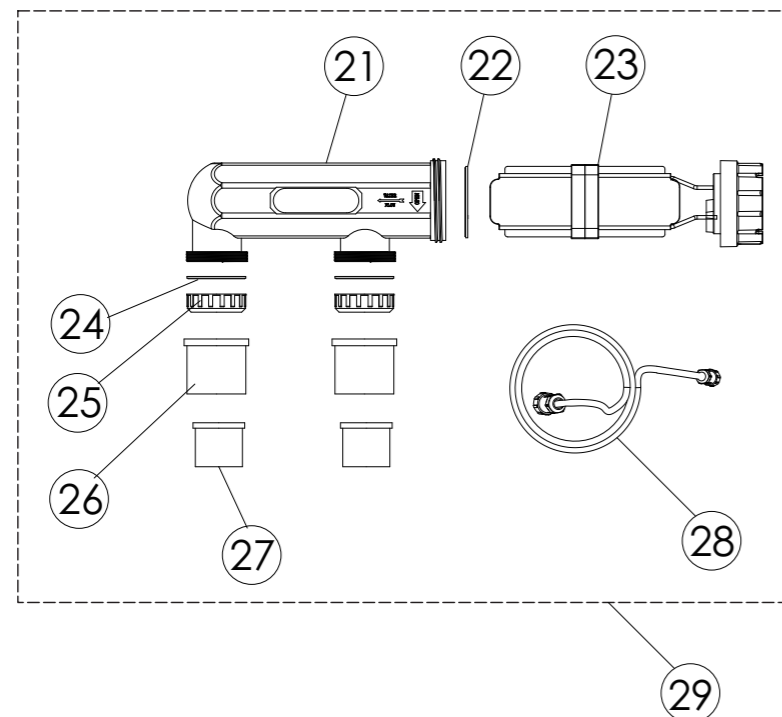
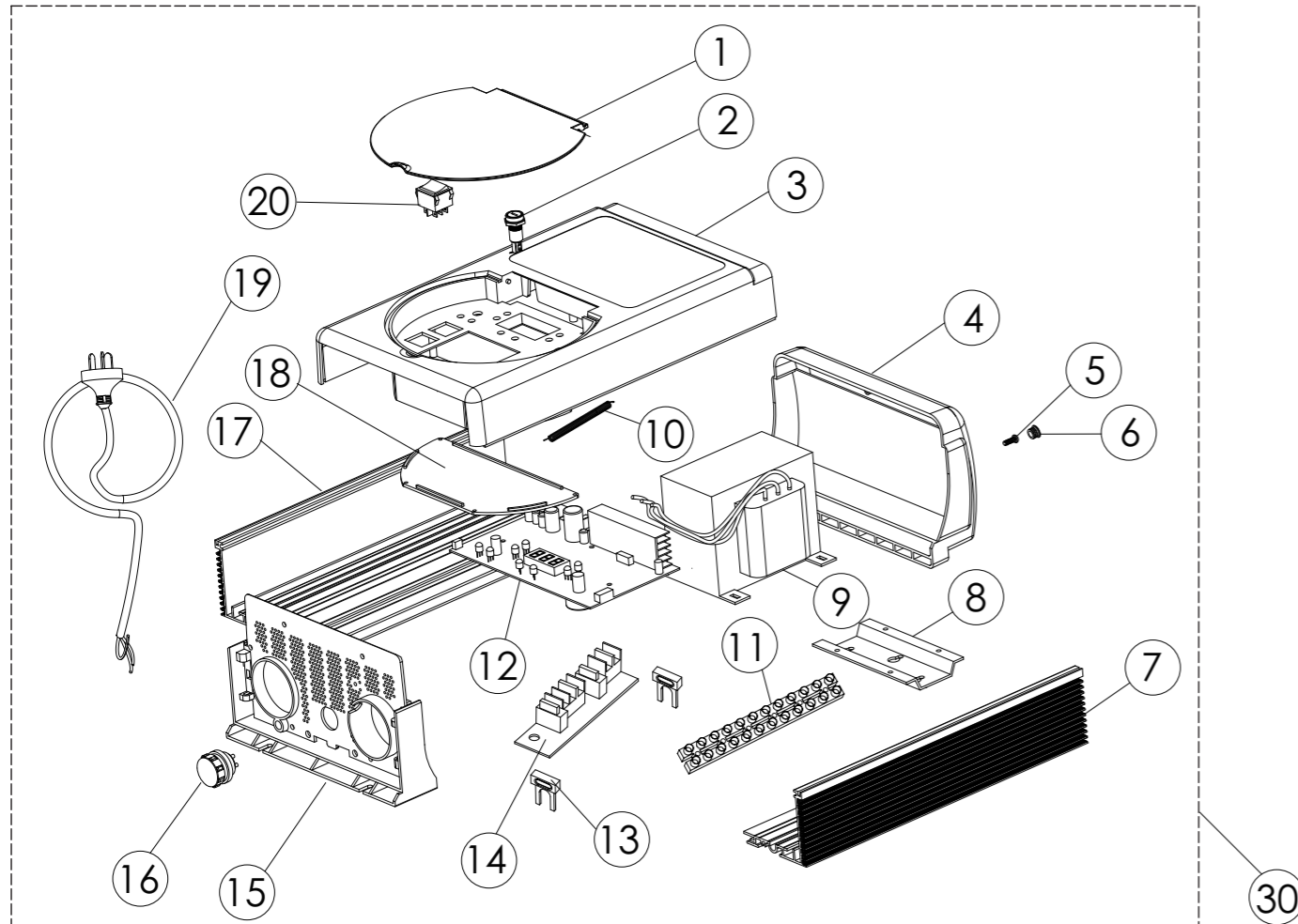
Notes: *17 E130049 SSC/SUC15 Silicon contrlled combination (ver1. 4)
 *17 E130050 SSC/SUC25 Silicon contrlled combination (ver1. 4)
 *31 E130033 SUC15 PCB Control Complete (ver5. 7)
 *31 E130034 SUC15 PCB Control Complete (ver5. 7)

SSC Series Salt Chlorinator

Model: SSC15-E SSC25-E SSC50-E

SSC Series Salt Chlorinator

Model: SSC15-E SSC25-E SSC50-E



Replacement Parts

Key No.	Part No.	Description	Piece(s) Required
1	530090442	Door Model	1
2	E130011	Fuse Seat 2.5A SSC15	1
2	E130010	Fuse Seat 6.3A SSC25/50	1
3	530080442	SSC Lid	1
4	530060442	Chlorinator Top Cover	1
5	112002636	M4 x 10 Screw	30
6	111212512	Plastic Caps for Chlorinator Top Cover	4
7	116093340	Profile B	1
8	116113342	Hanging Bracket	1
9	106166313	Transformer for SSC15	1
9	106166314	Transformer for SSC25	1
9	106166315	Transformer for SSC50	1
10	112062661	Spring	1
11	106271455	Terminal Jumper	1
*12	E130030	SSC15 PCB Control Complete(Ver5.6.2)	1
*12	E130031	SSC25 PCB Control Complete(Ver5.6.2)	1
*12	E130032	SSC50 PCB Control Complete(Ver5.6.2)	1
13	106147653	Fuse 30A for SSC50	2
*14	E130052	SSC15 Silicon controlled combination(ver1.5)	1
*14	E130053	SSC25 Silicon controlled combination(ver1.5)	1
*14	E130054	SSC50 Silicon controlled combination(ver1.7)	1
15	530100443	Bottom Panel Comp	1
16	106481502	SP Power Point	1
17	116093339	Profile A	1
18	530070442	Fense Cover	1
19	105021259	Cable and Euro Plug	1
19	105011249	Cable and Australian Plug	1
20	106171404	Switch I O 250VAC/6A	1
21	530040442	Cell Housing	1
22	111192492	O-Ring for Housing	1
23	9130010	Replacement Cells for SSC15 .	1
23	9130009	Replacement Cells for SSC25 & SSC50	1
24	111202472	O-Ring for Union	2
25	430170991	2.0" Union Nut	2
26	430300989	2.0" Union (A/E)	2
27	430300943	1.5" Union	2
28	9130021	SSC15 \SSC25 Salt Chlorinator Cable	1
29	9130022	Complete Cell kits for SSC15 (with cable)	1
29	9130023	Complete Cell kits for SSC25&SSC50, SSCone (with cable)	1
30	9130024	SSC15-E Control Unit	1
30	9130025	SSC25-E Control Unit	1
30	9130026	SSC50-E Control Unit	1

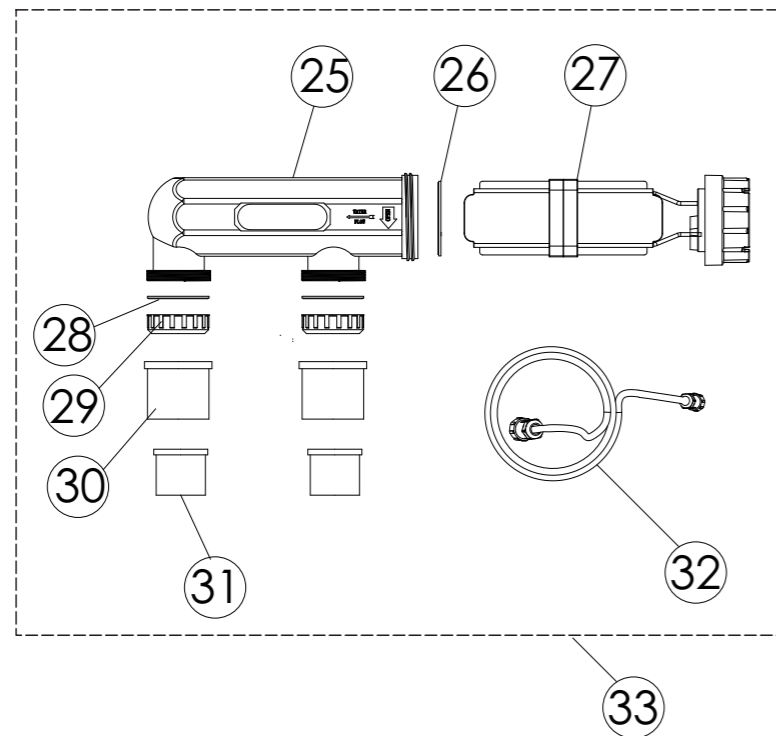
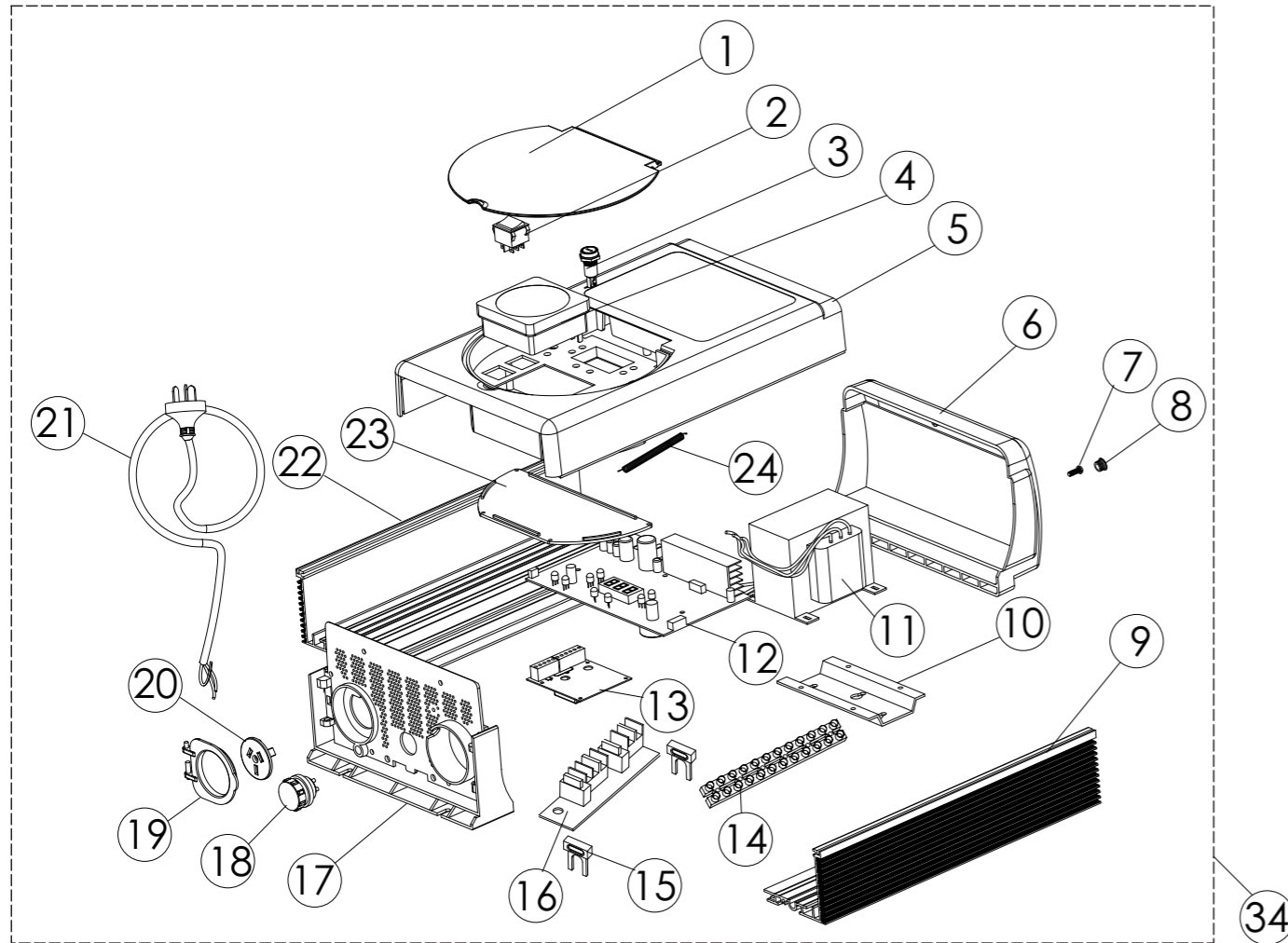
Notes : *12 89380202/E130007 SSC15 PCB Control Complete (Ver5.4)
 *12 89380203/E130002 SSC25 PCB Control Complete (ver5.4)
 *12 89380216/E130001 SSC50 PCB Control Complete (ver5.4)
 *12 E130012 SSC15 PCB Control Complete (Ver5.6)
 *12 E130013 SSC25 PCB Control Complete (ver5.6)
 *12 E130014 SSC50 PCB Control Complete (ver5.6)
 *12 E130027 SSC15 PCB Control Complete (Ver5.6.1)
 *12 E130028 SSC25 PCB Control Complete (ver5.6.1)
 *12 E130029 SSC50 PCB Control Complete (ver5.6.1)
 *14 E130043 SSC15 Silicon controlled combination(ver1.2)
 *14 E130044 SSC25 Silicon controlled combination(ver1.2)
 *14 E130045 SSC50 Silicon controlled combination(ver1.2)
 *14 E130046 SSC15 Silicon controlled combination(ver1.3)
 *14 E130047 SSC25 Silicon controlled combination(ver1.3)
 *14 E130048 SSC50 Silicon controlled combination(ver1.5)
 *14 E130049 SSC15 Silicon controlled combination(ver1.4)
 *14 E130050 SSC25 Silicon controlled combination(ver1.4)
 *14 E130051 SSC50 Silicon controlled combination(ver1.6)

SSC Series Salt Chlorinator

Model: SSC15-T SSC25-T SSC50-T

SSC Series Salt Chlorinator

Model: SSC15-T SSC25-T SSC50-T



Replacement Parts

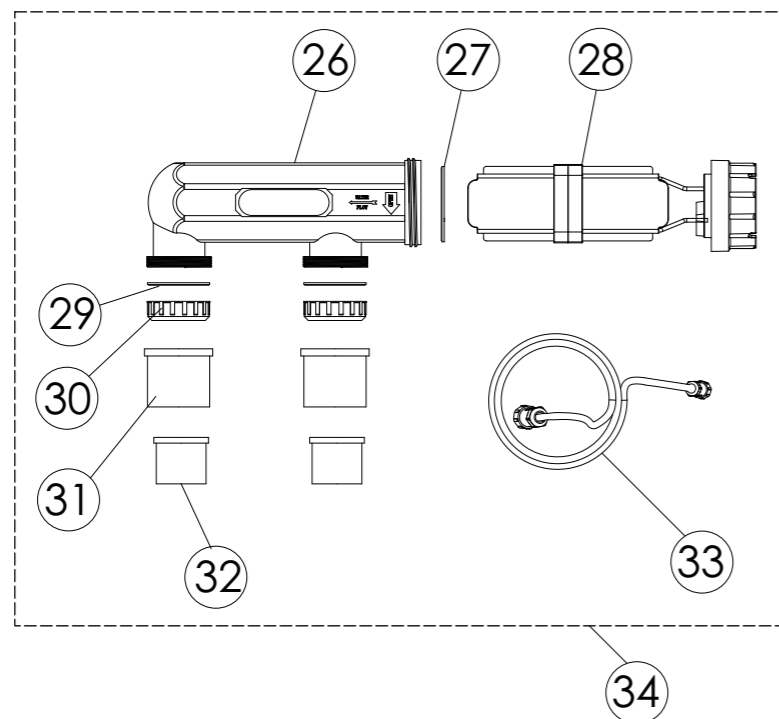
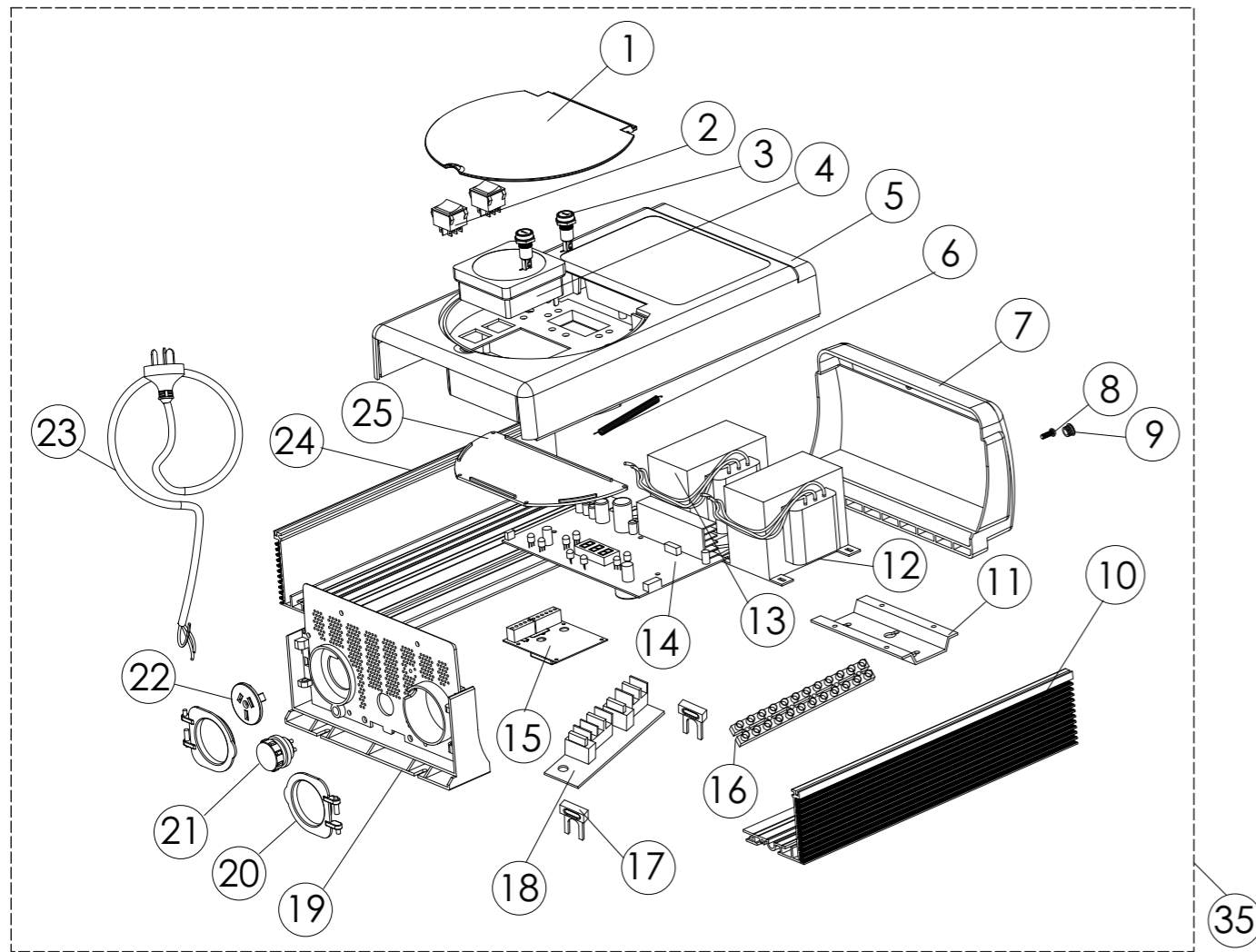
Key No.	Part No.	Description	Piece(s) Required
1	530090442	Door Model	1
2	106171405	Switch I O II 250VAC / 6A	1
3	E130011	Fuse Seat 2.5A SSC15	1
3	E130010	Fuse Seat 6.3A SSC25/50	1
4	106591524	Timer Analogue Battery Pack	1
5	530080442	SSC Lid	1
6	530060442	Chlorinator Top Cover	1
7	112002636	M4 x 10 Screw	30
8	111212512	Plastic Caps for Chlorinator Top Cover	4
9	116093340	Profile B	1
10	116113342	Hanging Bracket	1
11	106166313	Transformer for SSC15	1
11	106166314	Transformer for SSC25	1
11	106166315	Transformer for SSC50	1
*12	E130030	SSC15 PCB Control Complete(ver5.6.2)	1
*12	E130031	SSC25 PCB Control Complete(ver5.6.2)	1
*12	E130032	SSC50 PCB Control Complete(ver5.6.2)	1
13	E130042	EMC Board (without Light)(ver2.0)	1
14	106271455	Terminal Jumper	1
15	106147653	Fuse 30A for SSC50	2
*16	E130052	SSC15 Silicon contrlled combination(ver1.5)	1
*16	E130053	SSC25 Silicon contrlled combination(ver1.5)	1
*16	E130054	SSC25 Silicon contrlled combination(ver1.7)	1
17	530100444	Bottom Panel Comp	1
18	106481502	SP Power Point	1
19	E130017	Component Enclosure Plate	1
20	106111391	250V/10A Jack for Australia	1
21	105021259	Cable with Euro Plug	1
21	105011249	Cable with Australian Plug	1
22	116093339	Profile A	1
23	530070442	Fense Cover	1
24	112062661	Spring	1
25	530040442	Cell Housing	1
26	111192492	O-Ring for Housing	1
27	9130010	Replacement Cells for SSC15	1
27	9130009	Replacement Cells for SSC25/50	1
28	111202472	O-Ring for Union	2
29	430170991	2.0" Union Nut (White)	2
30	430300989	2.0" Union (A/E)	2
31	430300943	1.5" Union	2
32	9130021	SSC50 Salt Chlorinator Cable Set	1
33	9130022	Complete Cell kits for SSC15 (with cable)	1
33	9130023	Complete Cell kits for SSC25&SSC50, SSCone (with cable)	1
34	9130027	SSC15-T Control Unit	1
34	9130028	SSC25-T Control Unit	1
34	9130029	SSC50-T Control Unit	1

Notes :

- *12 89380202/E130007 SSC15 PCB Control Complete (Ver5.4)
- *12 89380203/E130002 SSC25 PCB Control Complete (ver5.4)
- *12 89380216/E130001 SSC50 PCB Control Complete (ver5.4)
- *12 E130012 SSC15 PCB Control Complete (Ver5.6)
- *12 E130013 SSC25 PCB Control Complete (ver5.6)
- *12 E130014 SSC50 PCB Control Complete (ver5.6)
- *12 E130027 SSC15 PCB Control Complete (Ver5.6.1)
- *12 E130028 SSC25 PCB Control Complete (ver5.6.1)
- *12 E130029 SSC50 PCB Control Complete (ver5.6.1)
- *13 E130040 EMC Board (withoutlight)(ver1.8)
- *16 E130043 SSC15 Silicon contrlled combination(ver1.2)
- *16 E130044 SSC25 Silicon contrlled combination(ver1.2)
- *16 E130045 SSC50 Silicon contrlled combination(ver1.2)
- *16 E130046 SSC15 Silicon contrlled combination(ver1.3)
- *16 E130047 SSC25 Silicon contrlled combination(ver1.3)
- *16 E130048 SSC50 Silicon contrlled combination(ver1.5)
- *16 E130049 SSC15 Silicon contrlled combination(ver1.4)
- *16 E130050 SSC25 Silicon contrlled combination(ver1.4)
- *16 E130051 SSC50 Silicon contrlled combination(ver1.6)

SSC Series Salt Chlorinator

Model: SSC15-TLT SSC25-TLT



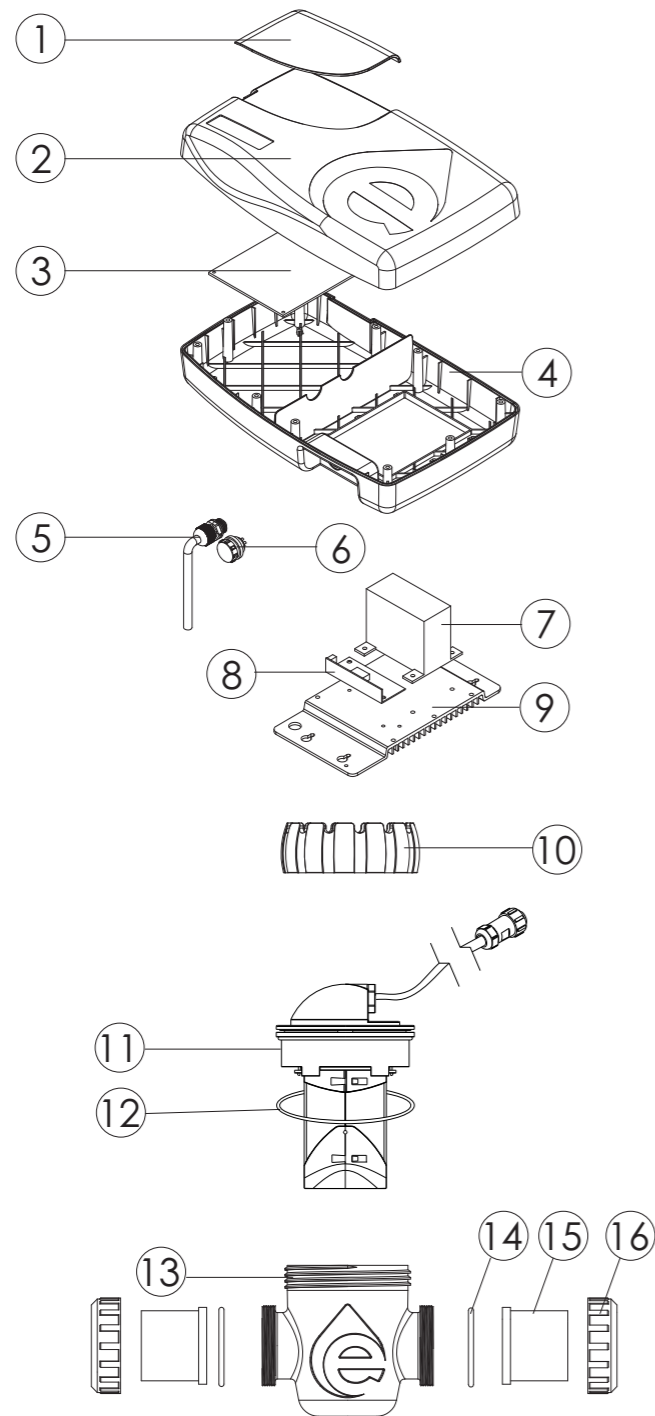
SSC Series Salt Chlorinator

Model: SSC15-TLT SSC25-TLT

Replacement Parts

Key No.	Part No.	Description	Piece(s) Required
1	530090442	Door Model	1
2	106171405	Switch I O II 250VAC / 6A	1
2	106171404	Switch I O 250VAC /6A	1
*3	E130011	Fuse Seat 2.5A (Refer to remarks)	*
*3	E130010	Fuse Seat 6.3A (Refer to remarks)	*
4	106591524	Timer Analogue Battery Pack	1
5	530080442	SSC Lid	1
6	112062661	Spring	1
7	530060442	Chlorinator Top Cover	1
8	112002636	M4 x 10 Screw	30
9	111212512	Plastic Caps for Chlorinator Top Cover	4
10	116093340	Profile B	1
11	116113342	Hanging Bracket	1
12	106166313	Transformer for SSC15	1
12	106166314	Transformer for SSC25	1
13	106161579	Transformer for Lighting	1
*14	E130030	SSC15 PCB Control Complete (Ver5.6.2)	1
*14	E130031	SSC25 PCB Control Complete (ver5.6.2)	1
*15	E130041	EMC Board (with Light)(ver2.0)	1
16	106271455	Terminal Jumper	1
*18	E130052	SSC15 Silicon contrlled combination(ver1.5)	1
*18	E130053	SSC25 Silicon contrlled combination(ver1.5)	1
19	530100444	Bottom Panel Comp	1
20	E130017	Component Enclosure Plate	2
21	106481502	SP Power Point	1
22	106111391	250V/10A Jack for Australia	1
23	105021259	Cable and Euro Plug	1
23	04013101	Cable and Australian Plug	1
24	116093339	Profile A	1
25	530070442	Fense Cover	1
26	530040442	Cell Housing	1
27	111192492	O-Ring for Housing	1
28	08050018	Replacement Cells for SSC15	1
28	08050019	Replacement Cells for SSC25	1
29	111202472	O-Ring for Union	2
30	430170991	2.0" Union Nut	2
31	430300989	2.0" Union (A/E)	2
32	01171155	1.5" Union	2
33	9130021	SSC15 \SSC25 Salt Chlorinator Cable	1
34	9130022	Complete Cell kits for SSC15 (with cable)	1
34	9130023	Complete Cell kits for SSC25&SSC50, SSCone (with cable)	1
35	9130030	SSC15-TLT Control Unit	1
35	9130031	SSC25-TLT Control Unit	1

Notes : 3 For SSC15TLT
 E130011 Fuse seat 2.5A S for SSC15
 3 For SSC25TLT
 E130011 Fuse seat 2.5A S for SSC25
 E130010 Fuse seat 6.3A for SSC25



Replacement Parts

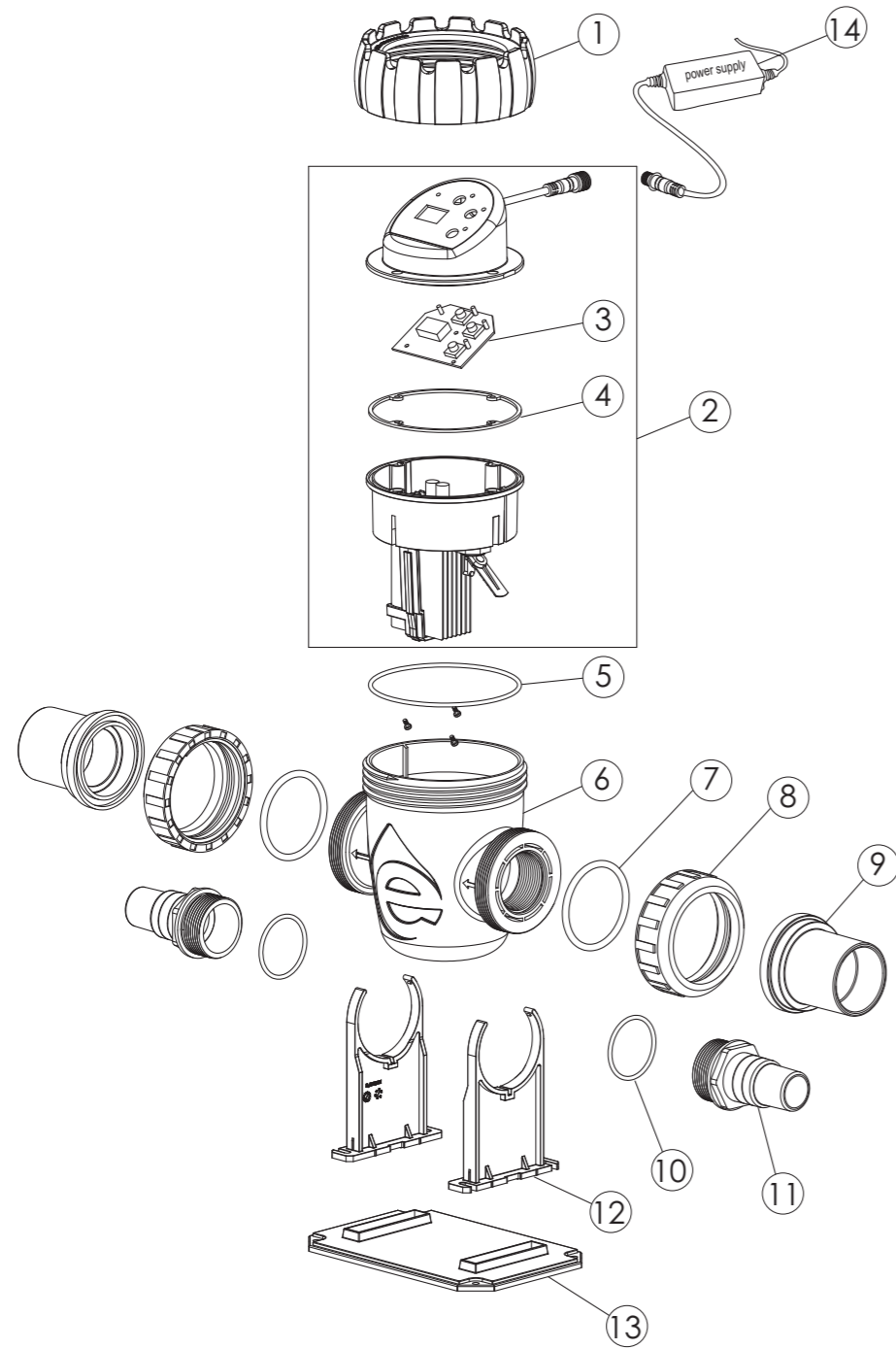
Key No.	Part No.	Description	Piece(s) Required
1	530095108	Transparent Lid	1
2	530085108	Chlorinator Top Cover	1
2	106855108	Switch keys	1
3	106255294	Control electronic board(230/240V)	1
4	530145108	lower lid	1
5	106231416	Lock for Cable	1
5	105021259	Cable and Euro Plug	1
5	105005227	Cable	1
5	105011249	Cable and Australia Plug	1
6	106485122	SP Power Point	1
7	106166314	Transformer for SSCmini	1
8	106445476	SSCmini thyristor module	1
9	116095118	Cooling aluminum	1
10	530135108	Electrolytic cell nut	1
11	E130015	Electrolytic cell	1
12	111040010	O-Ring	1
13	530045108	Electrolyzer housing	1
14	111202472	O-Ring	2
15	430300943	1.5" Union	2
15	430300989	2.0" Union	2
16	430170991	2.0" Nut	2

SSCnano Salt Chlorinator

Model: SSCnano4, SSCnano6, SSCnano8, SSCnano10

SSCnano Salt Chlorinator

Model: SSCnano4, SSCnano6, SSCnano8, SSCnano10

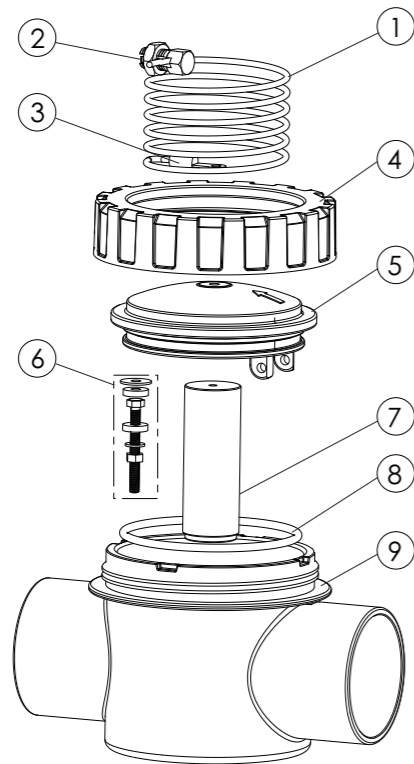


Replacement Parts

Key No.	Part No.	Description	Piece(s) Required
1	530135108	Electrolytic cell nut	1
2	E130069	SSCnano4 Electrolytic cell (4 grams)	1
2	E130070	SSCnano6 Electrolytic cell (6 grams)	1
2	E130071	SSCnano8 Electrolytic cell (8 grams)	1
2	E130072	SSCnano10 Electrolytic cell (10 grams)	1
3	1062510186	SSCnano PCB	1
4	111040013	SSCnano O-Ring	1
5	111040010	D116.6X1.5 O-Ring	1
6	5300410081	Electrolyser housing	1
7	111202472	O-Ring D70 x d60 x 6	2
8	430170991	2.0" Union Nut (black)	2
9	430300943	1.5" Union	2
10	111142481	O-Ring d42x3	2
11	430091071	32x38 Union	2
12	5203410081	Stand	2
13	5203410083	Mounting Stand Base	1
14	106090062	DC power supply (4 & 6 grams)	1
14	106090063	DC power supply (8 grams)	1
14	106090064	DC power supply (10 grams)	1

Aacrificial Anode Shield

Model: DF50-1(E), DF50-1(A)

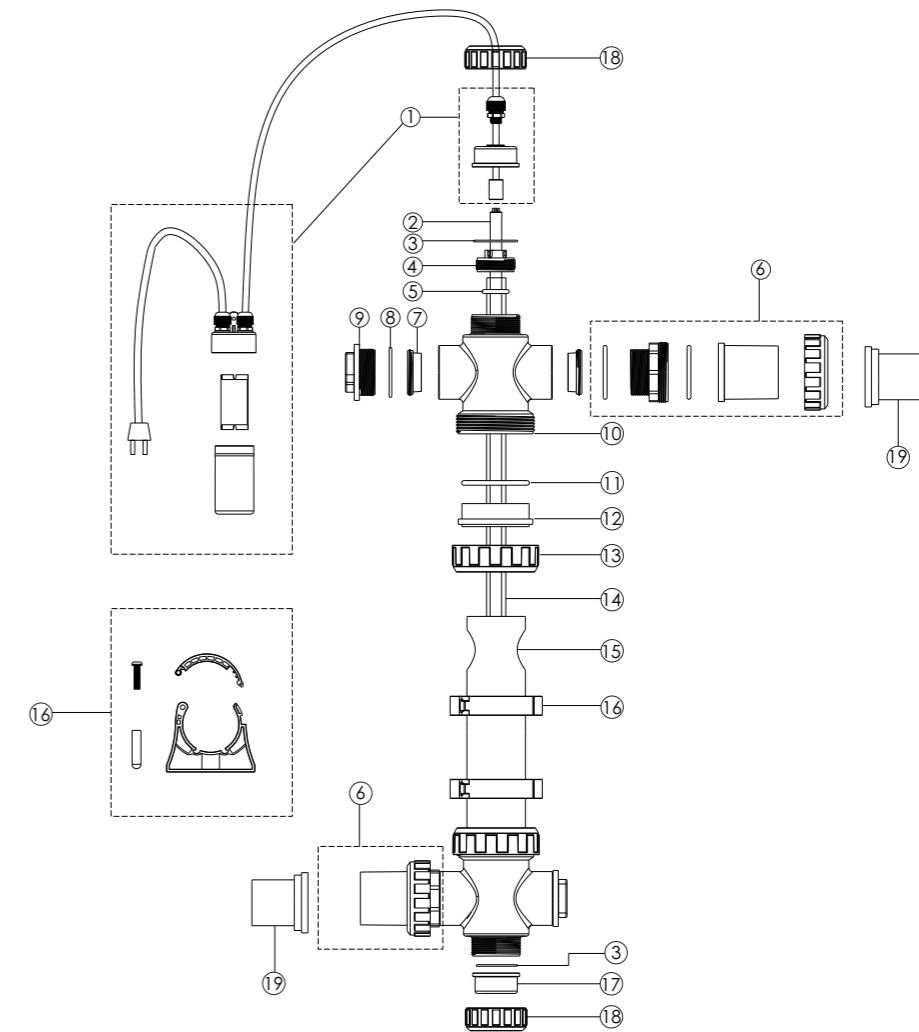


Replacement Parts

Key No.	Part No.	Description	Piece(s) Required
1	112030012	8 AWG Copper Wire	1
2	112030011	Copper Bolt Clamp	1
3	106391490	Terminal Connector	1
4	570523486	Nut	1
5	570306906	Transparent Cover	1
6	E162701	M5 Screw Set	1
7	112080001	Zinc Alloy 78mmx30mm	1
8	111002375	O-ring	1
9	570383479	2 port valve housing (Metric)	1
9	570384040	2 port valve housing (Imperial)	1

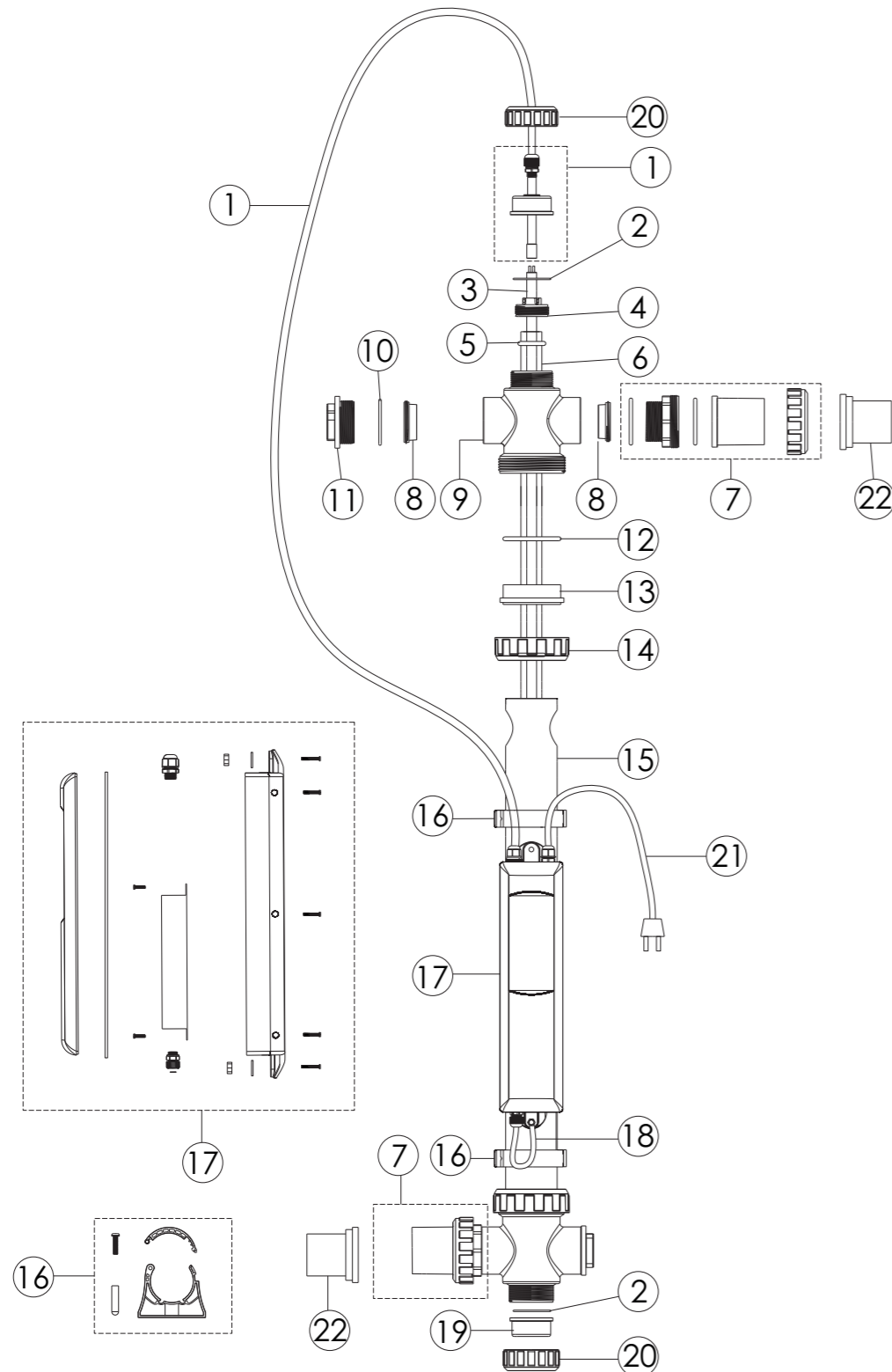
Nano Tech UV-C Disinfection System

Model: NT-UV16



Replacement Parts

Key No.	Part No.	Description	Piece(s) Required
1	E130405	UV16 ballst and lamp connection	1
2	E130425	16W UV lamp	1
3	111040015	Lamp connector O'ring	2
4	440422251	25 lamp adaptor	2
5	111030021	Quaatz O'ring(d24.8Xφ 5.2)	2
6	E190201	Pipe connection 2 "	2
7	620125430	Adaptor	4
8	111142482	UV body O'ring	2
9	430221017	Transpar lid	2
10	620062251	25Cross	2
11	111202472	Quaatz O'ring(D76*φ 6)	2
12	620165430	Body connection	2
13	430170986	Union Nut	2
14	E130433	16W Quartz Tube D25x485mm	1
15	107175310	Stainless Stell body	1
16	E130404	Closed pipe clips	2
17	620135460	Cap	1
18	430170635	Union Nut 1.5 "	2
19	430300943	1.5" union (Imperial/Metric)	2



Replacement Parts

Key No.	Part No.	Description	Piece(s) Required
1	E130423	End Cap for Cable Hole With Epoxy	1
2	111040015	Lamp connector O'ring	2
3	E130426	40W UV lamp	1
3	E130427	75W UV lamp	1
4	440422251	25 lamp adaptor	2
5	111030021	Quartz O'ring(d24.8XØ5.2)	2
6	E130432	Quartz Tube for 40W/75W	1
7	E190201	Pipe connection 2"	2
8	620125430	Adaptor	4
9	620062251	25 Cross	2
10	111142482	Connector O'ring	2
11	430221017	Transpar lid	2
12	111202472	UV body O'ring(D76*Ø6)	2
13	620165430	Body connection	2
14	430170986	Union Nut	2
15	620145462	Stainless Stell body	1
16	E130404	Closed pipe clips	2
17	E130408	UV40 ballast	1
17	E130409	UV75 ballast	1
18	E130407	Earth Connexion	1
19	620135460	Cap	1
20	430170635	Union Nut 1.5"	2
21	105021259	Plug lead	1
22	430300943	1.5" union (Imperial/Metric)	2

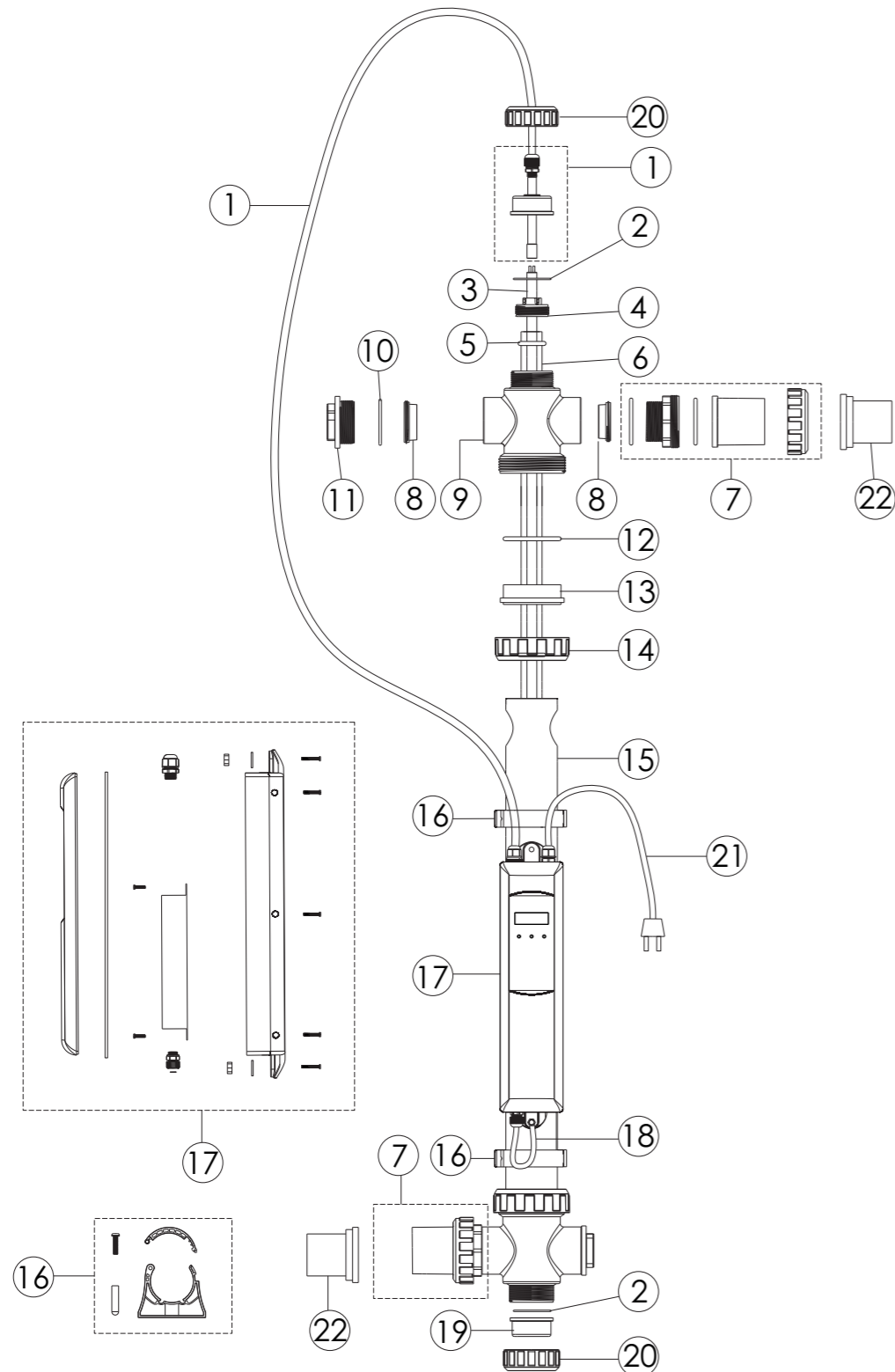
Notes : For complete ballast box, please order item 1,17,18,21 together

Nano Tech UV-C Disinfection System

Model: NT-UV40T, NT-UV75T

Nano Tech UV-C Disinfection System

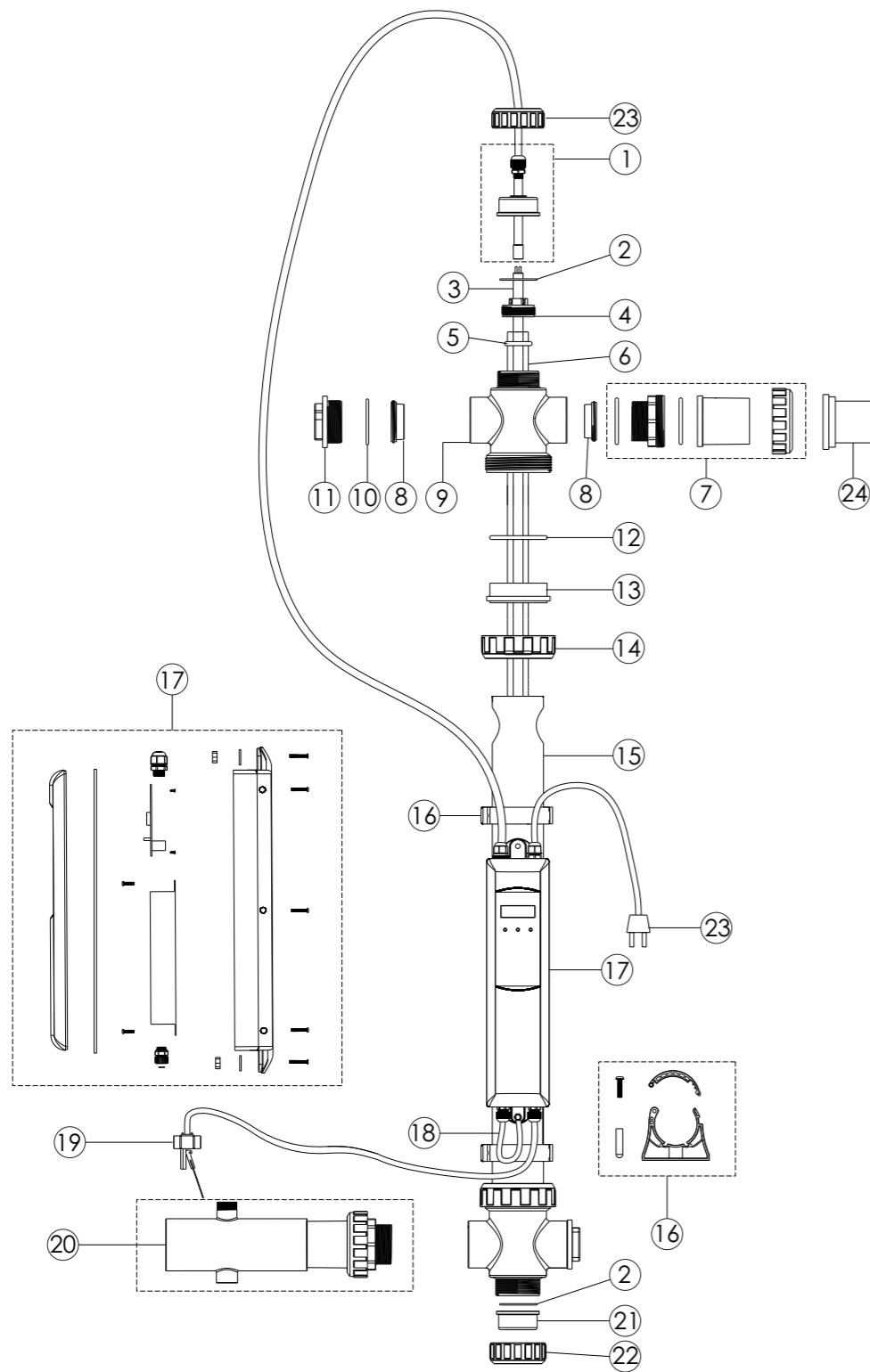
Model: NT-UV40T, NT-UV75T



Replacement Parts

Key No.	Part No.	Description	Piece(s) Required
1	E130423	End Cap for Cable Hole With Epoxy	1
2	111040015	Lamp connector O'ring	2
3	E130426	40W UV lamp	1
3	E130427	75W UV lamp	1
4	440422251	25 lamp adaptor	2
5	111030021	Quartz O'ring(d24.8XØ5.2)	2
6	E130432	Quartz Tube for 40W/75W	1
7	E190201	Pipe connection 2"	2
8	620125430	Adaptor	4
9	620062251	25Cross	2
10	111142482	Connector O'ring	2
11	430221017	Transpar lid	2
12	111202472	UV body O'ring(D76*Ø6)	2
13	620165430	Body connection	2
14	430170986	Union Nut	2
15	620145462	Stainless Stell body	1
16	E130404	Closed pipe clips	2
17	E130410	UV40T ballast	1
17	E130411	UV75T ballast	1
18	E130407	Earth Connexion	1
19	620135460	Cap	1
20	430170635	Union Nut 1.5"	2
21	105021259	Plug lead	1
22	430300943	1.5" union (Imperial/Metric)	2

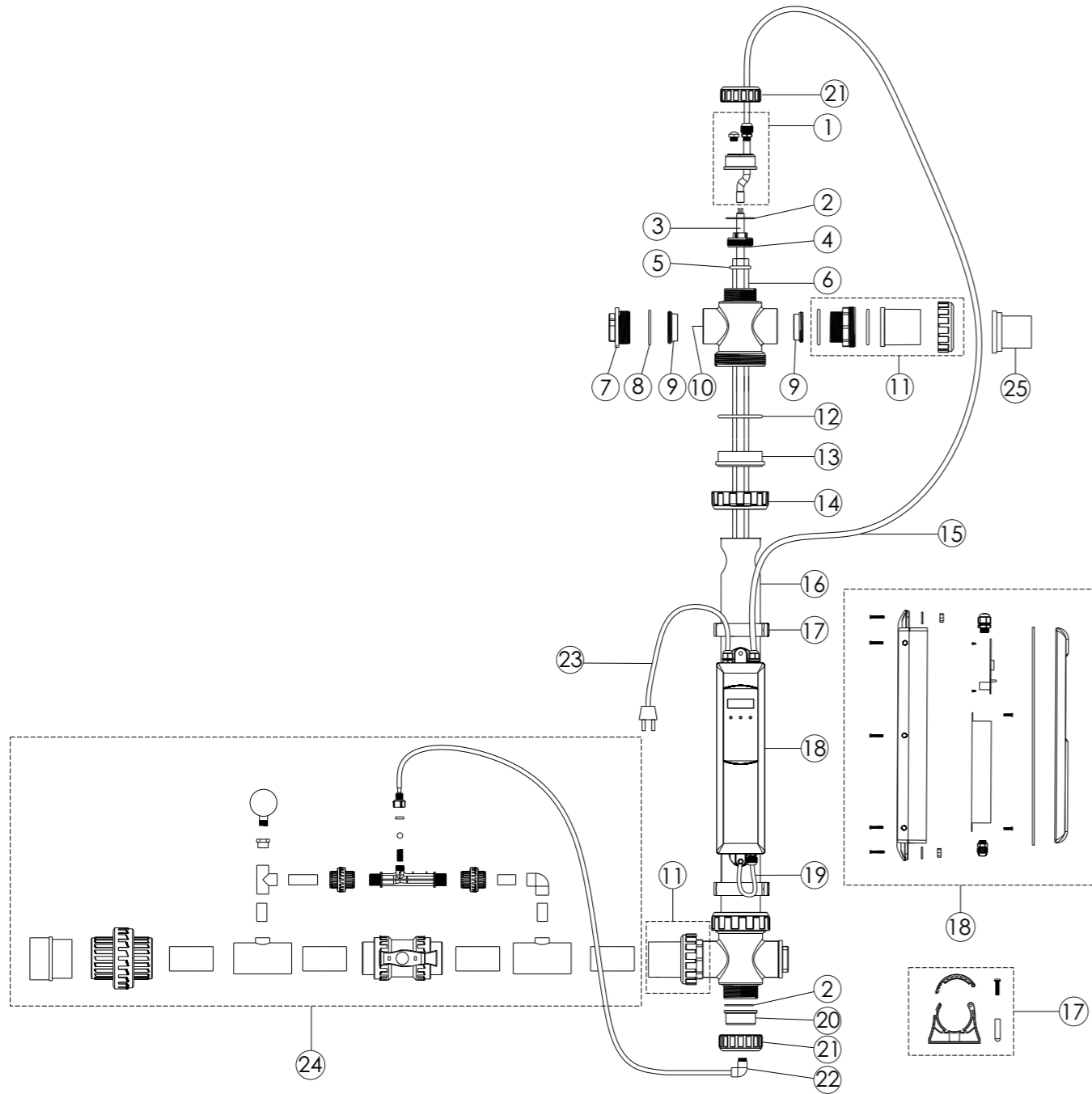
Notes : For complete ballast box, please order item 1,17,18,21 together



Replacement Parts

Key No.	Part No.	Description	Piece(s) Required
1	E130423	End Cap for Cable Hole With Epoxy	1
2	111040015	Lamp connector O'ring	2
3	E130429	130W UV lamp	1
4	440420156	31 lamp adaptor	2
5	111030020	Quartz O'ring(d30XØ6)	2
6	E130430	Quartz Tube for 130W	1
7	E190201	Pipe connection 2"	2
8	620125430	Adaptor	4
9	6200060156	31Cross	2
10	111142482	Connector O'ring	2
11	430221017	Transpar lid	2
12	111142482	UV body O'ring(D76*Ø6)	2
13	620165430	Body connection	2
14	430170986	Union Nut	2
15	620145462	Stainless Steel body	1
16	E130404	Closed pipe clips	1
17	E130413	UV130-F ballast	1
17	E130412	UV130-TF ballast	1
18	E130407	Earth Connexion	1
19	114145332	Flow Switch	1
20	E130434	Pipe Fittings	1
21	620135460	Cap	1
22	430170635	Union Nut 1.5"	1
23	105021259	Plug lead	1
24	430300943	1.5" union (Imperial/Metric)	1

Notes : For complete ballast box, please order item 1,17,18,19,23 together



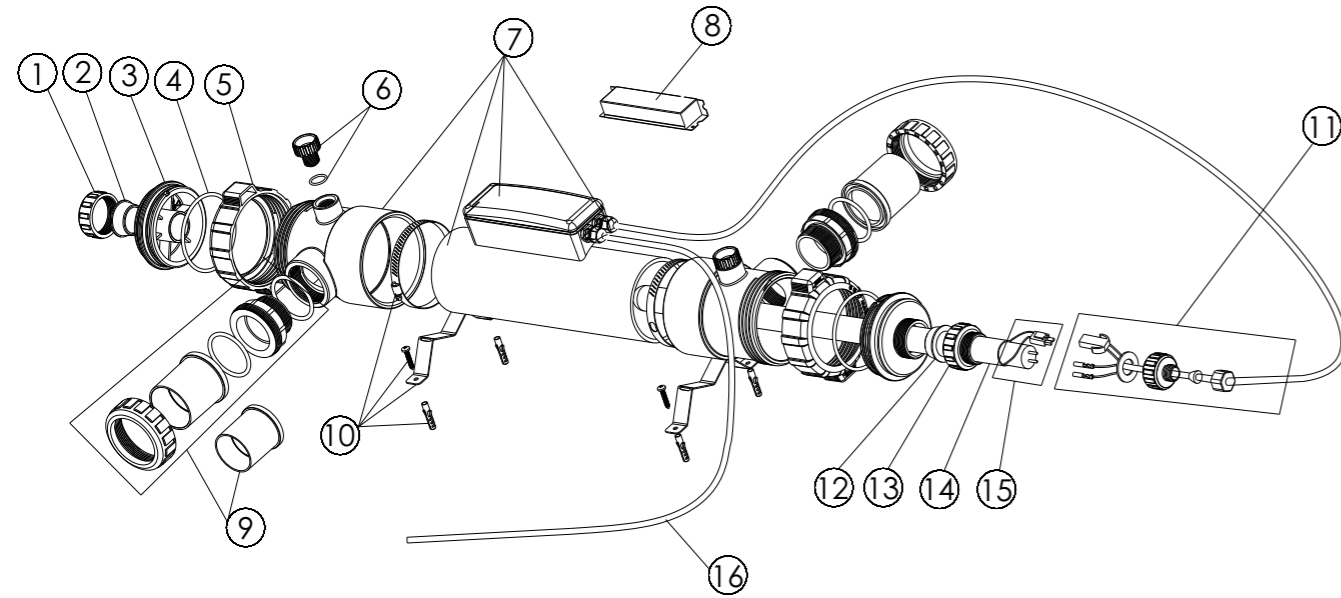
Replacement Parts

Key No.	Part No.	Description	Piece(s) Required
1	E130424	End Cap for Double Hole With Epoxy	1
2	111040015	Lamp connector O'ring	2
3	E130428	87W UV lamp	1
4	440422251	25 lamp adaptor	2
5	111030021	Quartz O'ring(d24.8XØ5.2)	2
6	E130431	87W Quartz Tube	1
7	430221017	Transpar lid	2
8	111142482	Connector O'ring	2
9	620125430	Adaptor	4
10	620062251	25Cross	2
11	E190201	Pipe connection 2 "	1
12	111202472	UV body O'ring(D76*Ø6)	2
13	620165430	Body connection	2
14	430170986	Union Nut	2
15	105004779	Cable	1
16	620145462	Stainless Steel body	1
17	E130404	Closed pipe clips	2
18	E130402	UV87-T0 ballast	1
19	E130407	Earth Connexion	1
20	620135467	Air hole Cap	1
21	430170635	Union Nut 1.5 "	1
22	108275466	Gas Nozzle	1
23	105021259	Plug lead	1
24	E130403	Oxidation Set	1
25	430300943	1.5" union (Imperial/Metric)	1

Notes : For complete ballast box, please order item 1,18,19,23 together

FOS Series UV-C Disinfection System

Model: FOS-UV-5T, FOS-UV-7T, FOS-UV-8T, FOS-UV-14T



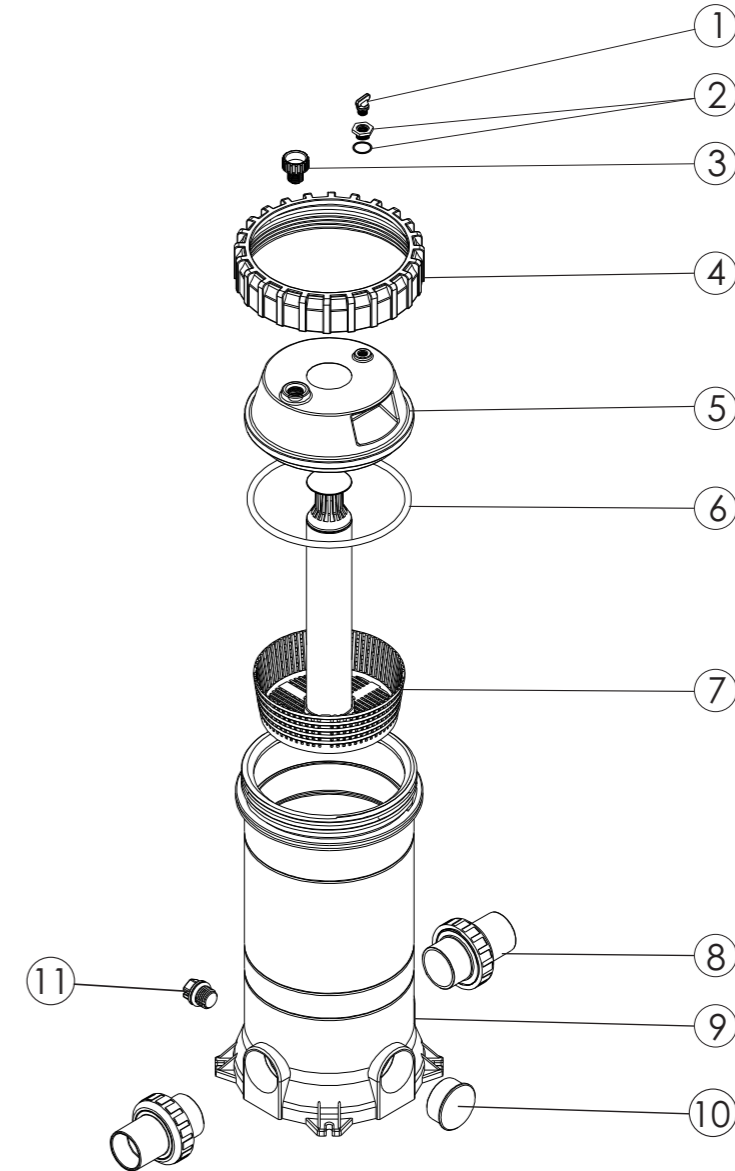
Replacement Parts

Key No.	Part No.	Description	Piece(s) Required
1	01014144	Screw Top	1
2	02021075	Plug	1
3	01014143	UV-C Lid	2
4	02080008	O-Ring for Lid	2
5	01020019	Nut for UV-C	2
6	89042005	Air Release Valve	2
7	E130341	House with Union and Box for FOS-UV-5T/7T	1
7	E130342	House with Union and Box for FOS-UV-8T/14T	1
8	E130343	Ballast 15W	1
8	E130344	Ballast 25W/35W	1
8	E130345	Ballast 55W	1
9	E190201	2" Union With O-Ring	2
9	430300943	1.5inch/GB50 pipe Union	2
10	E130346	Fixed suite	2
11	E130347	Lamp Holder suite with Four-wires cable	1
12	02021076	Silicone round gasket	1
13	01021136	Screw for UV-C Lamp	1
14	E130339	Quartz Tube (for 15W/25W)	1
14	E130340	Quartz Tube (for 30W/55W)	1
15	E130324	UVC Lamp for FOS(15W)	1
15	E130325	UVC Lamp for FOS(25W)	1
15	E130326	UVC Lamp for FOS(30W)	1
15	E130327	UVC Lamp for FOS(55W)	1
16	04013158	Cable	1

Notes : From new version start from 2017

Chemical Feeder

Model: CLL-50, CLL-75

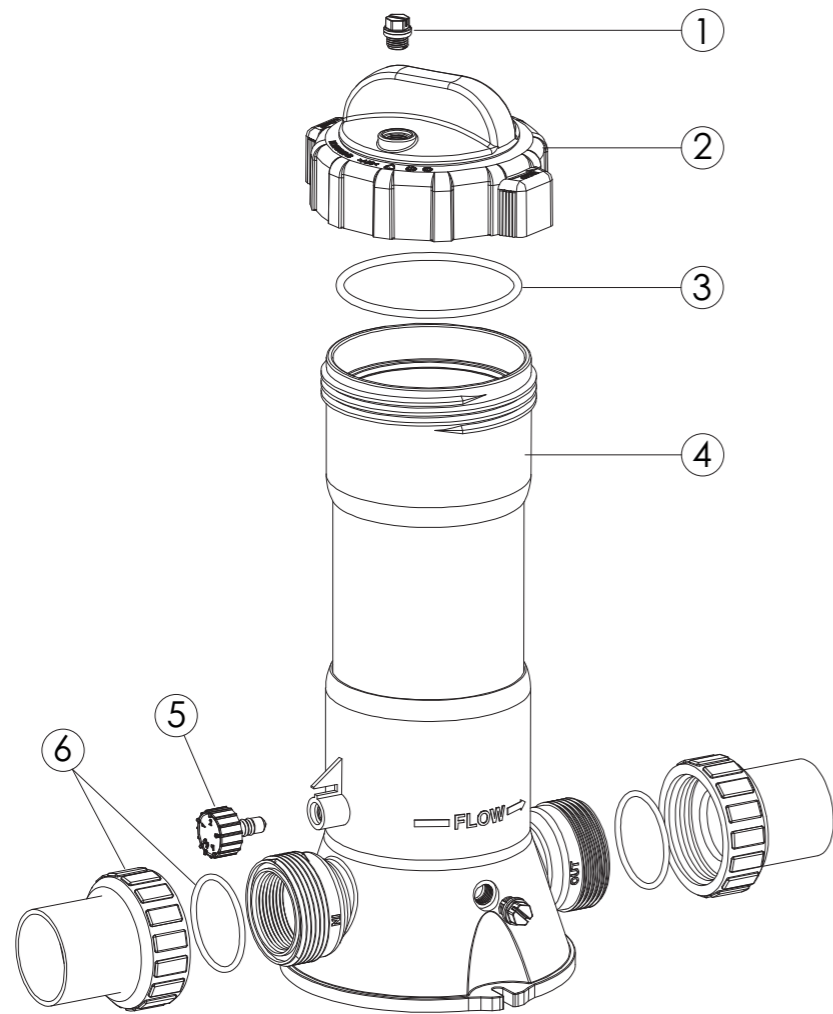


Replacement Parts

Key No.	Part No.	Description	Piece(s) Required
1	89440309	Drain Plug with O-Ring	1
2	89440313	Connector for Pressure Gauge/Stopper with O-Ring (Viton)	1
3	E130306	Air Release Valve with O-Ring	1
4	01021006	Ring Lock for Cartridge Filter	1
5	01011020	Lid	1
6	02080003	O-Ring for Lid	1
7	89440301	CLL-50 Diffuser Assembly	1
7	89440302	CLL-75 Diffuser Assembly	1
8	89440311	1.5" Union	2
9	89440303	CLL-50 Feeder Body	1
9	89440304	CLL-75 Feeder Body	1
10	01011015	Plug	1
11	89440312	Air/Water Release Valve with O'Ring	1

Chemical Feeder

Model: CL-01, CL-02

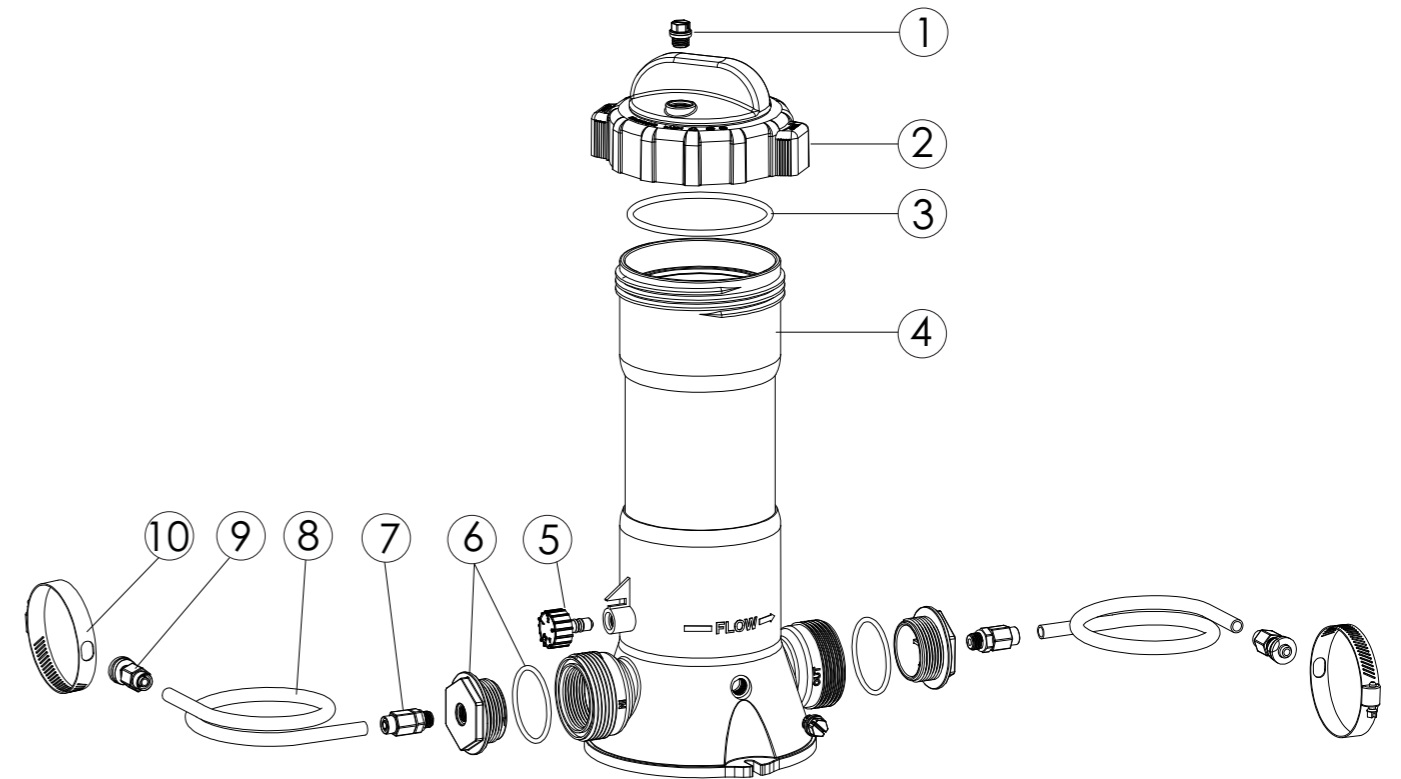


Replacement Parts

Key No.	Part No.	Description	Piece(s) Required
1	89440312	Air/ Water Release Valve with O-Ring	2
2	89440204	Lid with Nut	1
3	02080008	O-Ring for Lid	1
4	89440205	CL-01A Feeder Body	1
4	89440206	CL-02A Feeder Body	1
5	89440202	Dial control valve with O-ring	1
6	89440201	1.5" Union with Nut	2

Chemical Feeder

Model: CL-01A, CL-02A



Replacement Parts

Key No.	Part No.	Description	Piece(s) Required
1	89440312	Air/ Water Release Valve with O-Ring	2
2	89440204	Lid with Nut	1
3	02080008	O-Ring for Lid	1
4	89440205	CL-01A Feeder Body	1
4	89440206	CL-02A Feeder Body	1
5	89440202	Dial control valve with O-ring	1
6	89440203	Threaded Plug	2
7	89440208	Hose Connector	2
8	01093017	2.5m Hose (O.DΦ10)	1
9	89440207	Saddle Fitting Adaptor	2
10	03018153	Hose Clamp	2