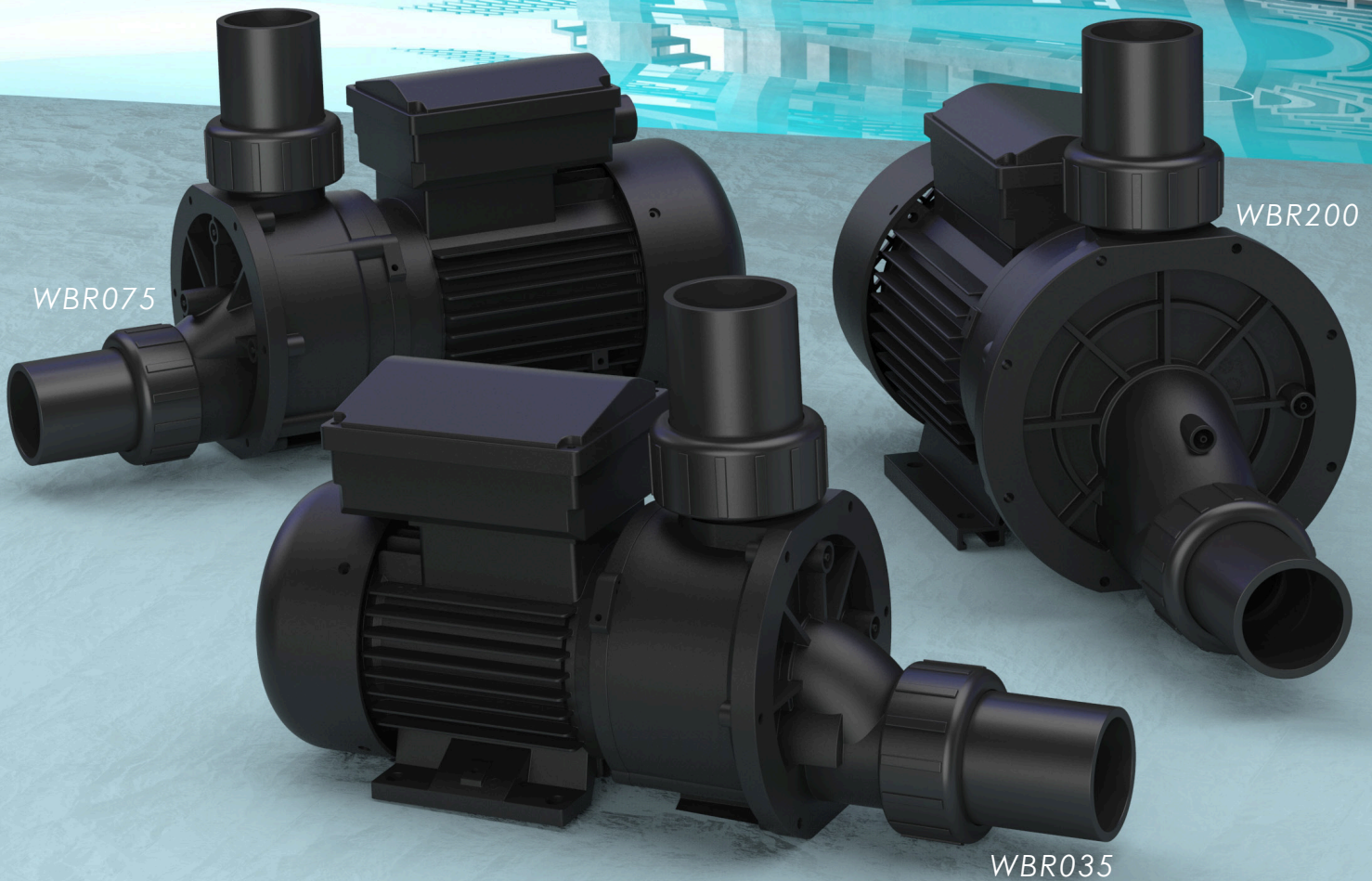




WBR SERIES SPA PUMP ENGINEERED FOR OPTIMAL PERFORMANCE

Connects to different kinds of bath tub & spa



EFFICIENT PERFORMANCE & SUPERIOR RELIABILITY

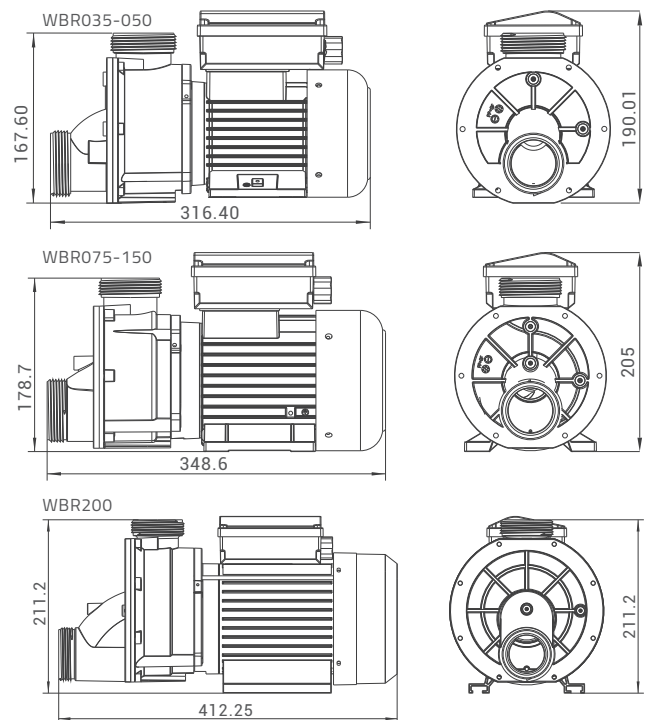
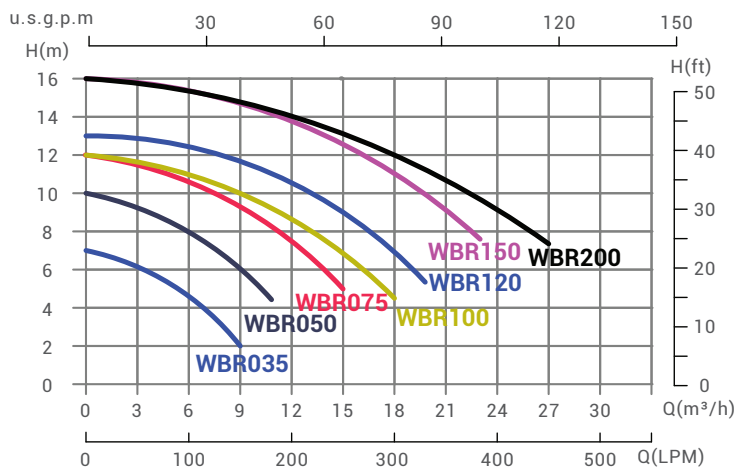
The Emaux WBR Series Spa Pump is designed for durability and efficiency, crafted from high-quality materials to ensure reliability in any spa setting. This pump not only offers exceptional functionality but also adds a touch of style to your setup. With a straightforward installation process and intuitive controls, you can easily customize your experience to suit your needs.

PRODUCT FEATURE

1. Class insulation: 130(B)
2. IPX5 Waterproof standard
3. Built-in thermal protection
4. 316 stainless steel mechanical seal
5. High-temperature designs for up to 50°C



Product Dimensions and Technical Information



Code	Model	Qmax LPM [GPM]	Hmax (m)	Power	Input Power kW [HP]	Current (A)	Connection size mm [Inch]	Weight (kg)
9024501	WBR035	150 [40]	7.5	220V-240V, 50Hz	0.25 [0.35]	1.6	48.5 or 50	5.1
9024502	WBR050	180 [48]	10	220V-240V, 50Hz	0.37 [0.5]	2	48.5 or 50	5.9
9024503	WBR075	250 [66]	12	220V-240V, 50Hz	0.55 [0.75]	3.2	48.5 or 50	7.9
9024504	WBR100	300 [79]	12	220V-240V, 50Hz	0.75 [1]	3.8	48.5 or 50	8.6
9024505	WBR120	335 [88]	13	220V-240V, 50Hz	0.9 [1.2]	4.6	48.5 or 50	9.1
9024506	WBR150	380 [100]	16	220V-240V, 50Hz	1.1 [1.5]	5.8	48.5 or 50	11.5
9024507	WBR200	450 [119]	16	220V-240V, 50Hz	1.5 [2]	7	48.5 or 50	13

EMAUX WATER TECHNOLOGY CO., LTD

ADDRESS: 2/F, Lockhart Centre,
No. 301-307 Lockhart Road, Wanchai, Hong Kong
PHONE +852 2832 9880
www.emauxgroup.com

Pool & Spa Equipment

YOUR PREMIER SUPPLIER

Available from:

ALL SPECIFICATIONS ARE SUBJECT TO CHANGE WITHOUT NOTICE
© EMAUX WATER TECHNOLOGY CO., LTD. ALL RIGHTS RESERVED.