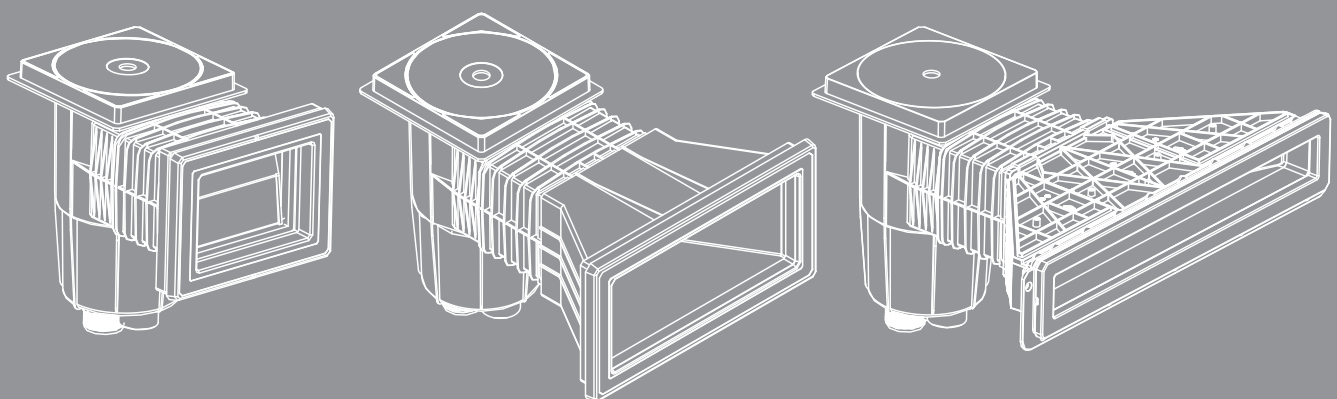




SKIMMER

EM0130 EM0140 EM0180



USER MANUAL

**Models: EM0130-SC / EM0130-SV / EM0130TS-SV
EM0140-SC / EM0140-SV / EM0140TS-SC / EM0140TS-SV
EM0180-SC / EM0180-SV / EM0180TS-SC / EM0180TS-SV**

IMPORTANT

- This instruction manual includes essential information on the safety measures to be implemented for installation and start-up. Therefore, the installer and the user must read the instructions before starting installation and start-up.
- Keep this manual for future reference.

1.5L SKIMMER

The skimmer is a wall drain that conveys surface water the water to the filter pump. The 15L skimmer is a large-size basket option. Skimmers are used to collect large debris (leaves, blades grass, insects, etc.) on the water surface.

The standard skimmer for general use.

The wide mouth skimmer extends the receiving area and increases the water collection.

Skimmers are generally installed with the mouth as near to the top edge of the pool as possible.

AVAILABLE MODELS

With brass inserts

| | Concrete pool | Code | Vinyl pool | Code |
|--------------------|---------------|----------|------------|----------|
| Standard Skimmer | EM0130-SC | 91600318 | EM0130-SV | 91600316 |
| Wide Mouth Skimmer | EM0140-SC | 91601313 | EM0140-SV | 91601014 |
| Surface Skimmer | EM0180-SC | 91601022 | EM0180-SV | 91601023 |

Without brass inserts

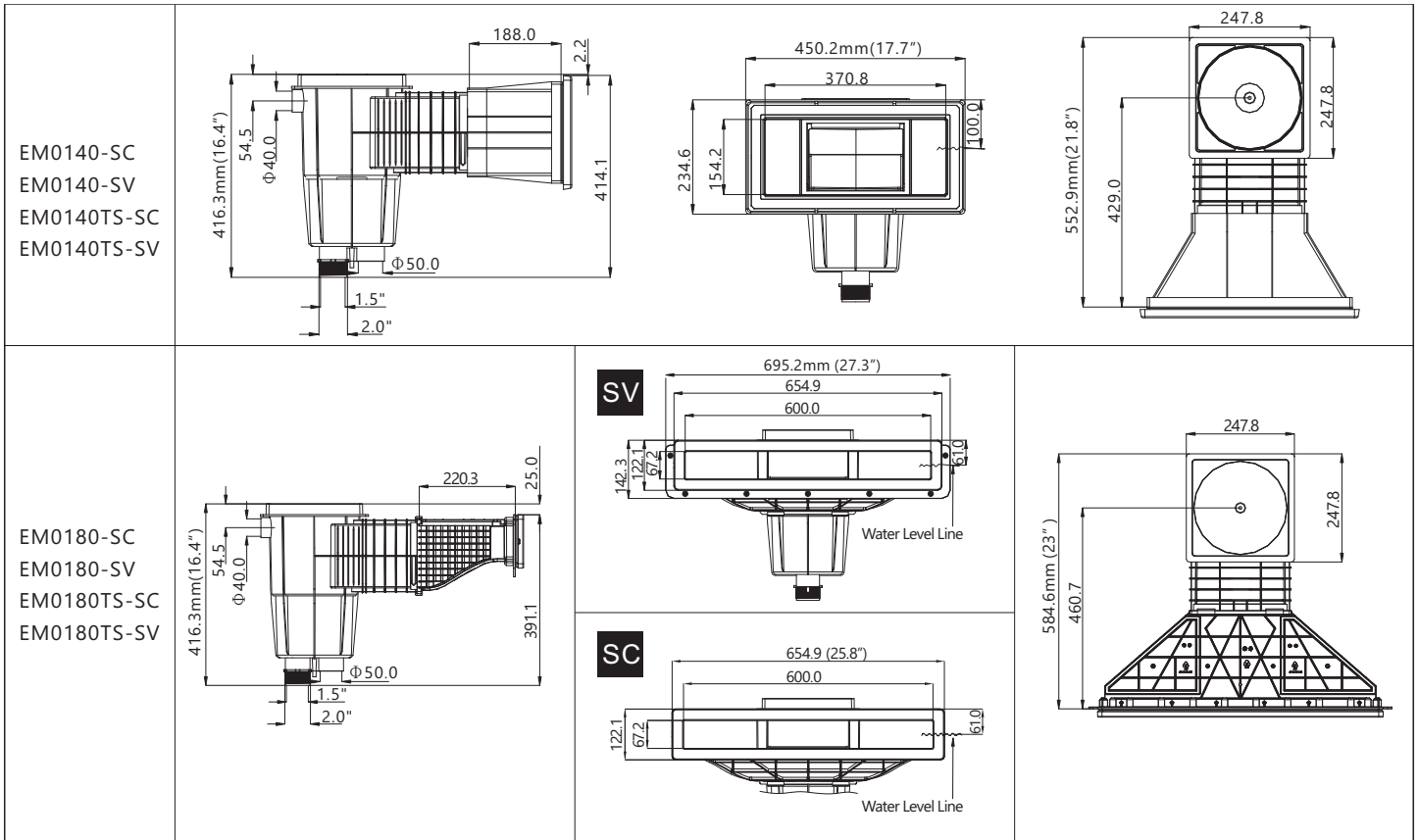
| | Concrete pool | Code | Vinyl pool | Code |
|--------------------|---------------|----------|-------------|----------|
| Standard Skimmer | / | / | EM0130TS-SV | 91600320 |
| Wide Mouth Skimmer | EM0140TS-SC | 91601016 | EM0140TS-SV | 91601017 |
| Surface Skimmer | EM0180TS-SC | 91601024 | EM0180TS-SV | 91601025 |

Specification

| Model No. | Opening size, mm (inch) | Basket Capacity, mm (inch) | Overall height, mm (inch) | Depth, mm (inch) |
|-----------------------|----------------------------|---------------------------------|---------------------------|------------------|
| EM0130-SC | 200.3(7.9") x 199.6(7.9") | ϕ 160.0(6.3") x 99.0(3.9") | 416.3 (16.4") | 367.0 (14.5") |
| EM0130-SV/EM0130TS-SV | 210.0(7.9") X 145.0(5.7") | ϕ 160.0(6.3") x 99.0(3.9") | 416.3 (16.4") | 390.0 (15.4") |
| EM0140 series | 370.8(14.6") x 154.2(6.1") | ϕ 160.0(6.3") x 99.0(3.9") | 416.3 (16.4") | 553.0 (21.8") |
| EM0180 series | 600.0(23.6") x 67.2(2.7") | ϕ 160.0(6.3") x 99.0(3.9") | 416.3 (16.4") | 585.0 (23.0") |

Size

| | |
|--------------------------|--|
| EM0130-SC | <p>Side view: 416.3mm(16.4") total height, 54.5mm top section, ϕ40.0mm opening, 379.2mm main body, ϕ50.0mm base, 1.5" and 2.0" base details.</p> <p>Top view: 226.4mm and 200.3mm widths.</p> <p>Front view: 247.8mm(9.8") width, 366.8mm(14.4") height, 242.9mm base, 247.8mm depth.</p> |
| EM0130-SV EM0130TS-SV | <p>Side view: 416.3mm(16.4") total height, 54.5mm top section, ϕ40.0mm opening, 409.8mm main body, ϕ50.0mm base, 1.5" and 2.0" base details, 25.6mm and 6.5mm top details.</p> <p>Top view: 296.0mm(11.7") and 210.0mm widths.</p> <p>Front view: 247.8mm width, 389.9mm(15.7") height, 266.0mm base, 247.8mm depth.</p> |



INSTALLATION

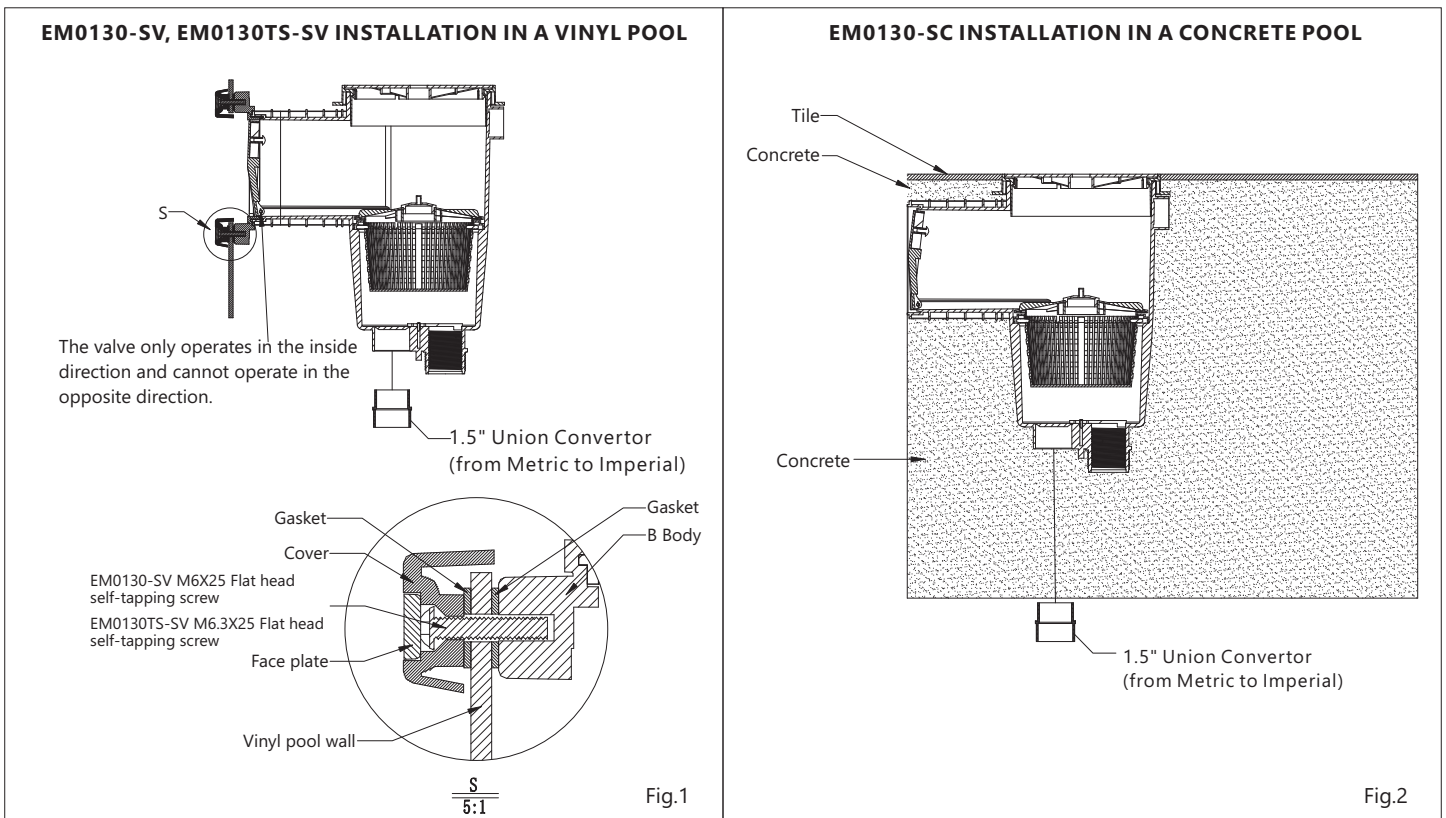
We recommend installing 1 skimmer per 25 m² of pool water surface area, for a flow rate not exceeding 5 m³/h. In a residential pool, skimmers are generally installed in the deep end wall. For a pool that requires more than 3 skimmers, skimmers can be installed along the side walls of the pool. In both cases, the skimmer(s) should be positioned on the opposite wall to the inlet jets.

Depending on the selected skimmer type, installation should follow Fig.1 to Fig.6.

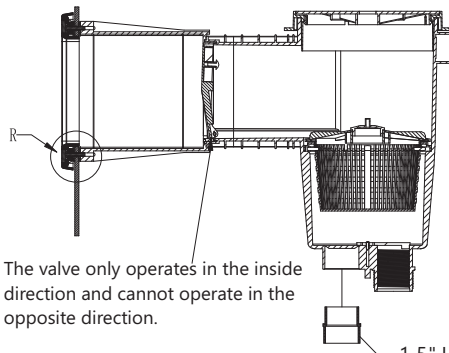
To avoid damage to the pump, the water level should be maintained at approximately 3/4 up the skimmer mouth to prevent air being sucked into the system allowing the pump to run dry.

Warning:

The cover and the basket are installed with a bayonet system. They should be turned until the two sides of the cover or basket match with the body to unlock them before withdrawing them.



EM0140-SV, EM0140TS-SV INSTALLATION IN A VINYL POOL



The valve only operates in the inside direction and cannot operate in the opposite direction.

1.5" Union Converter
(from Metric to Imperial)

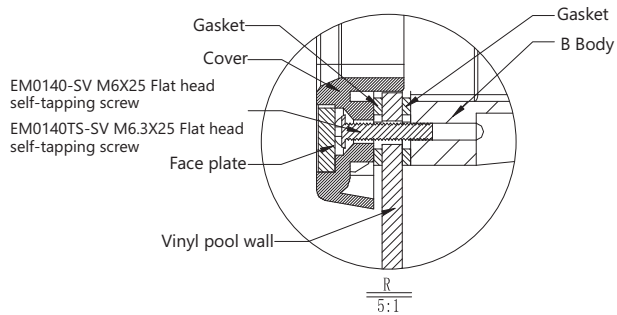
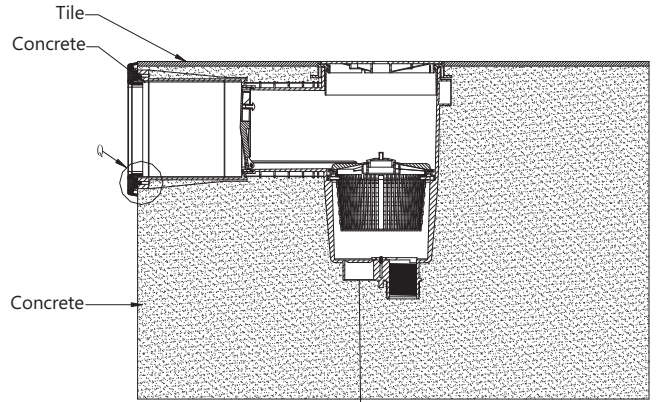


Fig.3

EM0140-SC, EM0140TS-SC INSTALLATION IN A CONCRETE POOL



1.5" Union Converter
(from Metric to Imperial)

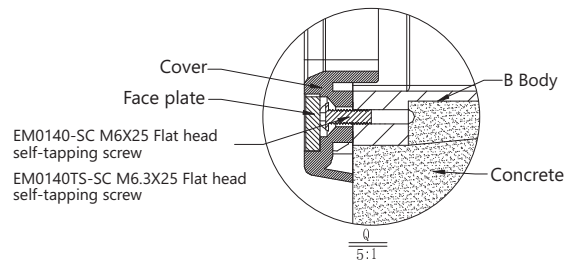
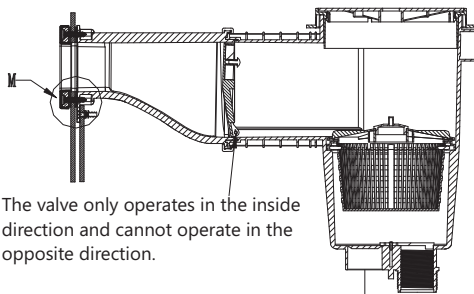


Fig.4

EM0180-SV, EM0180TS-SV INSTALLATION IN A VINYL POOL



The valve only operates in the inside direction and cannot operate in the opposite direction.

1.5" Union Converter
(from Metric to Imperial)

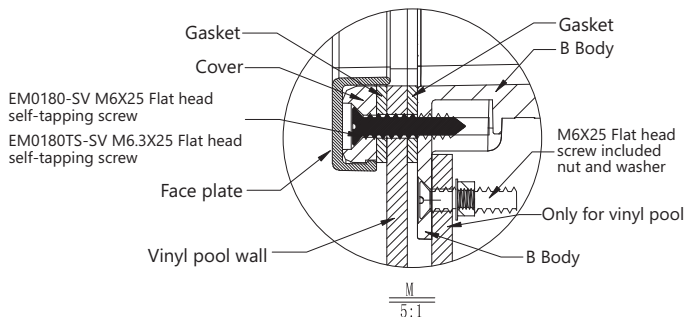
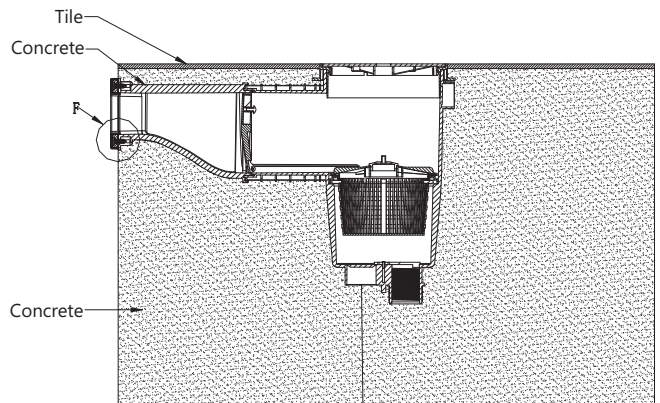


Fig.5

EM0180-SC, EM0180TS-SC INSTALLATION IN A CONCRETE POOL



1.5" Union Converter
(from Metric to Imperial)

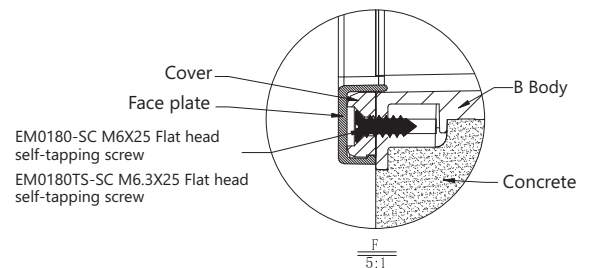


Fig.6

VACUUM SUCTION CONNECTION

Place the vacuum plate on the basket of the skimmer, and attach the vacuum hose of the pool cleaner to the hole of the vacuum plate (Fig7).

To obtain maximum vacuum efficiency, ensure that the main drain valve is closed. If more than one skimmer is installed in the pool, it should be closed off using the flow plug provided.

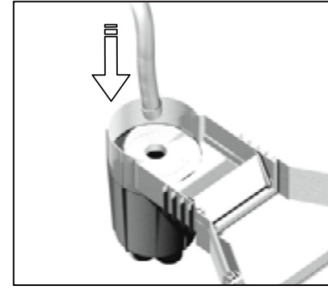


Fig.7

EXTENSION COLLAR

Extension Collar for EM0130, EM0140 and EM0180 (E160901) allows you to raise the skimmer cover to be level with pool deck or patio. Contact Emaux distributor to order the part.

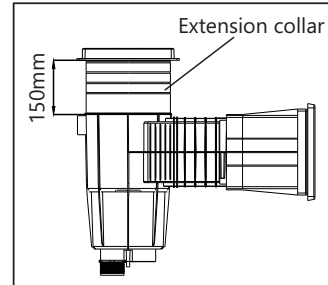


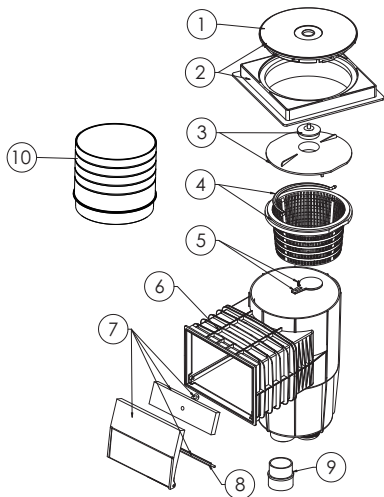
Fig.8

SAFETY WARNINGS

The skimmer should be installed by a pool technician.
Do not place chlorine or bromine tablets in the skimmer basket.
It is recommended to use products specifically designed to work with ABS.

SPARE PARTS LIST

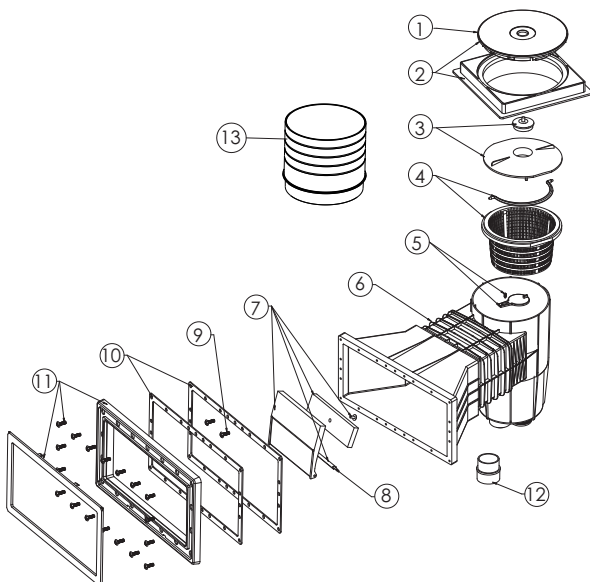
EM0130-SC



| Key NO. | Part Number | Product Description | QTY |
|---------|-------------|--|-----|
| 1 | 01050158 | circular skimmer lid | 1 |
| 2 | 89150701 | square lid and lidframe | 1 |
| 3 | 89150702 | vacuum plate with plug | 1 |
| 4 | 89150703 | skimmer basket | 1 |
| 5 | 89150704 | keyhole flap | 1 |
| 6 | 01050167 | skimmer body | 1 |
| 7 | 89150713 | flap retaining clip | 1 |
| 8 | 01181077 | hinge flap | 1 |
| 9 | 01170009 | 1.5" Union Converter (from Metric to Imperial) | 1 |
| 10* | E160901 | Extension Collar | 1 |

Remark: * Extension collar does not include in standard packaging.

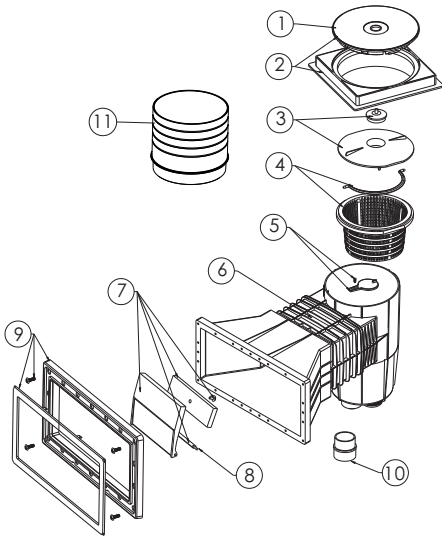
EM0130-SV, EM0130TS-SV



| Key NO. | Part Number | Product Description | QTY |
|---------|-------------|--|-----|
| 1 | 01050158 | circular skimmer lid | 1 |
| 2 | 89150701 | square lid and lidframe | 1 |
| 3 | 89150702 | vacuum plate with plug | 1 |
| 4 | 89150703 | skimmer basket | 1 |
| 5 | 89150704 | keyhole flap | 1 |
| 6 | E160305 | EM0130-SV Skimmer body A+B | 1 |
| 6 | E160306 | EM0130TS-SV Skimmer body A+B | 1 |
| 7 | 89150713 | flap retaining clip | 1 |
| 8 | 01181077 | hinge flap | 1 |
| 9 | 03012105 | round head Self-tapping screws | 4 |
| 10 | 02021105 | small skimmer gaskets for liner pool | 2 |
| 11 | 89150705 | small skimmer frame EM0130-SV | 1 |
| 11 | E160538 | small skimmer frame EM0130TS-SV | 1 |
| 12 | 01170009 | 1.5" Union Converter (from Metric to Imperial) | 1 |
| 13* | E160901 | Extension Collar | 1 |

Remark: * Extension collar does not include in standard packaging.

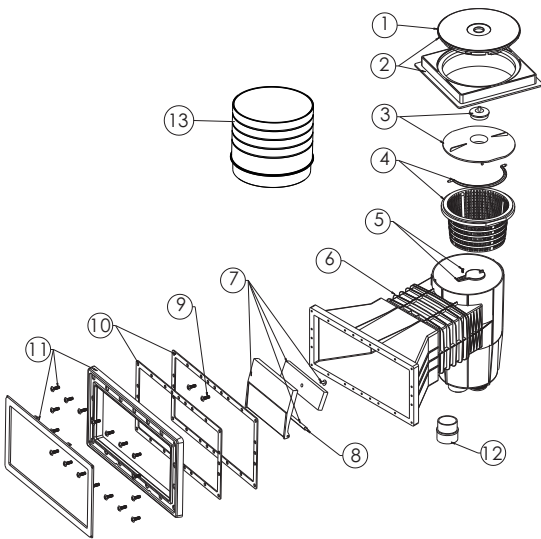
EM0140-SC, EM0140TS-SC



| Key NO. | Part Number | Product Description | QTY |
|---------|-------------|---|-----|
| 1 | 01050158 | circular skimmer lid | 1 |
| 2 | 89150701 | square lid and lidframe | 1 |
| 3 | 89150702 | vacuum plate with plug | 1 |
| 4 | 89150703 | skimmer basket | 1 |
| 5 | 89150704 | keyhole flap | 1 |
| 6 | E161002 | EM0140-SC Skimmer body A+B included sealing plate | 1 |
| 6 | E161010 | EM0140TS-SC Skimmer body A+B included sealing plate | 1 |
| 7 | 89150713 | flap retaining clip | 1 |
| 8 | 01181077 | hinge flap | 1 |
| 9 | 89150706 | EM0140-SC skimmer frame for liner | 1 |
| 9 | E160539 | EM0140TS-SC skimmer frame for liner | 1 |
| 10 | 01170009 | 1.5" Union Converter (from Metric to Imperial) | 1 |
| 11* | E160901 | Extension Collar | 1 |

Remark: * Extension collar does not include in standard packaging.

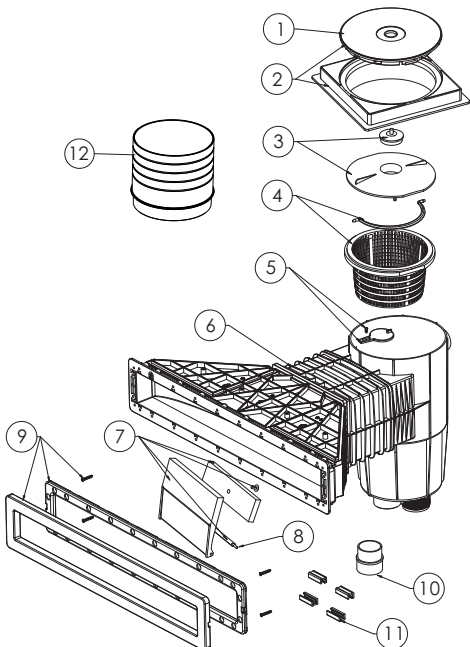
EM0140-SV, EM0140TS-SV



| Key NO. | Part Number | Product Description | QTY |
|---------|-------------|---|-----|
| 1 | 01050158 | circular skimmer lid | 1 |
| 2 | 89150701 | square lid and lidframe | 1 |
| 3 | 89150702 | vacuum plate with plug | 1 |
| 4 | 89150703 | skimmer basket | 1 |
| 5 | 89150704 | keyhole flap | 1 |
| 6 | E161001 | EM0140-SV Skimmer body A+B included sealing plate | 1 |
| 6 | E161011 | EM0140TS-SV Skimmer body A+B included sealing plate | 1 |
| 7 | 89150713 | flap retaining clip | 1 |
| 8 | 01181077 | hinge flap | 1 |
| 9 | 03012105 | Round head Self-tapping screws | 4 |
| 10 | 02021106 | large skimmer gaskets for liner | 2 |
| 11 | 89150707 | EM0140-SV skimmer frame for liner | 1 |
| 11 | E160540 | EM0140TS-SV skimmer frame for liner | 1 |
| 12 | 01170009 | 1.5" Union Converter (from Metric to Imperial) | 1 |
| 13* | E160901 | Extension Collar | 1 |

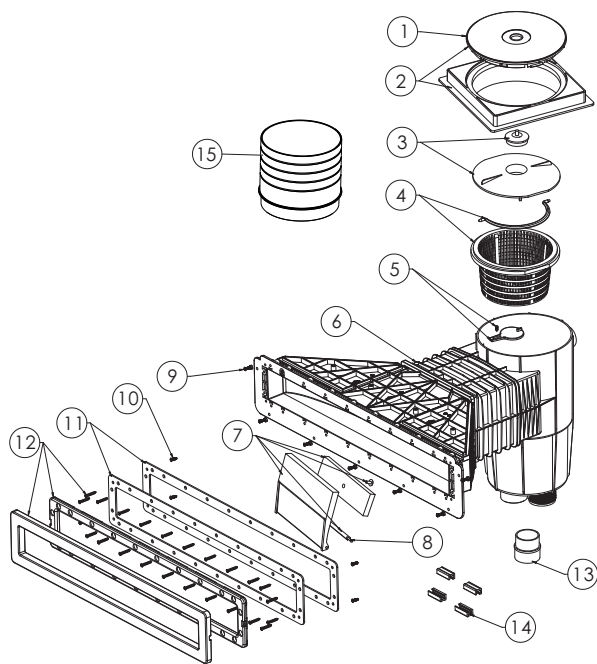
Remark: * Extension collar does not include in standard packaging.

EM0180-SC, EM0180TS-SC



| Key NO. | Part Number | Product Description | QTY |
|---------|-------------|---|-----|
| 1 | 01050158 | circular skimmer lid | 1 |
| 2 | 89150701 | square lid and lidframe | 1 |
| 3 | 89150702 | vacuum plate with plug | 1 |
| 4 | 89150703 | skimmer basket | 1 |
| 5 | 89150704 | keyhole flap | 1 |
| 6 | E161012 | EM0180-SC Skimmer body A+B included sealing plate | 1 |
| 6 | E161013 | EM0180TS-SC Skimmer body A+B included sealing plate | 1 |
| 7 | 89150713 | flap retaining clip | 1 |
| 8 | 01181077 | hinge flap | 1 |
| 9 | E161016 | EM0180-SC small skimmer frame | 1 |
| 9 | E161017 | EM0180TS-SC small skimmer frame | 1 |
| 10 | 01170009 | 1.5" Union Converter (from Metric to Imperial) | 1 |
| 11 | 4101177365 | fixer | 4 |
| 12* | E160901 | Extension Collar | 1 |

Remark: * Extension collar does not include in standard packaging.



| Key NO. | Part Number | Product Description | QTY |
|---------|-------------|---|-----|
| 1 | 01050158 | circular skimmer lid | 1 |
| 2 | 89150701 | square lid and lidframe | 1 |
| 3 | 89150702 | vacuum plate with plug | 1 |
| 4 | 89150703 | skimmer basket | 1 |
| 5 | 89150704 | keyhole flap | 1 |
| 6 | E161003 | EM0180-SV Skimmer body A+B included sealing plate | 1 |
| 6 | E161004 | EM0180TS-SV Skimmer body A+B included sealing plate | 1 |
| 7 | 89150713 | flap retaining clip | 1 |
| 8 | 01181077 | hinge flap | 1 |
| 9 | E161007 | Flat head screw included nut and washer | 7 |
| 10 | 03012105 | round head Self-tapping screws | 4 |
| 11 | 111040082 | small skimmer gaskets for liner pool | 2 |
| 12 | E161008 | EM0180-SV small skimmer frame | 1 |
| 12 | E161009 | EM0180TS-SV small skimmer frame | 1 |
| 13 | 01170009 | 1.5" Union Converter (from Metric to Imperial) | 1 |
| 14 | 4101177365 | fixer | 4 |
| 15* | E160901 | Extension Collar | 1 |

Remark: * Extension collar does not include in standard packaging.

TERMS OF THE WARRANTY

As the original purchaser of this equipment has purchased from Emaux Water Technology Co., Ltd, through Authorized International Distributor or Dealer, warrants its products free from defects in materials and workmanship under normal use during the warranty period. The warranty period begins on the day of purchase and extends only to the original purchaser. It is not transferable to anyone who subsequently purchases the product from you. It excludes all expendable parts. During the warranty period, Emaux authorized reseller will repair or replace defective parts with new parts or, at the option of Emaux, serviceable used parts that are equivalent or superior to new parts in performance.

This Limited Warranty extends only to products purchased from Emaux authorized resellers. This Limited Warranty does not extend to any product that has been damaged or rendered defective.

- (a) as a result of an accident, misuse, or abuse;
- (b) as a result of an act of God;
- (c) by operation outside the usage parameters stated herein;
- (d) by the use of parts not manufactured or sold by Emaux;
- (e) by modification of the product;
- (f) as a result of war or terrorist attack; or
- (g) as a result of service by anyone other than Emaux's authorized reseller or authorized agent.

EXCEPT AS EXPRESSLY OUTLINED IN THIS WARRANTY, EMAUX MAKES NO OTHER WARRANTIES EXPRESSED OR IMPLIED, INCLUDING ANY IMPLIED WARRANTIES OF MERCHANTABILITY AND FITNESS FOR A PARTICULAR PURPOSE. EMAUX EXPRESSLY DISCLAIMS ALL WARRANTIES NOT STATED IN THIS LIMITED WARRANTY. ANY IMPLIED WARRANTIES THAT MAY BE IMPOSED BY LAW ARE LIMITED TO THE TERMS OF THIS EXPRESS LIMITED WARRANTY.

EMAUX WATER TECHNOLOGY CO., LTD

ADDRESS FLAT A-D, 20/F., KAI BO 22, 22 WING KIN ROAD,
KWAI CHUNG, HONG KONG

PHONE +852 2832 9880

 **YOUR PREMIER SUPPLIER**

www.emauxgroup.com