

Aurora Light

THE WIDEST ANGLE OF ILLUMINATION

For residential and commercial pool & spa



 **Emaux**
water technology

CE

Pool & Spa Equipment

Product Information

Waterproof Standard

IP68

Cable

2.5m

Material

Durable ABS structure

PC transparent lid

Installation

Wall mounted (flat type)



INNOVATIVE DESIGN AND ADVANCED LIGHT ENGINEERING

Unique 360 Degree LED Ring and High Power Bulbs

Highly efficient illumination is produced by the combination of high power bulbs and a 360 degree LED ring.



360 LED ring



High Power Bulbs



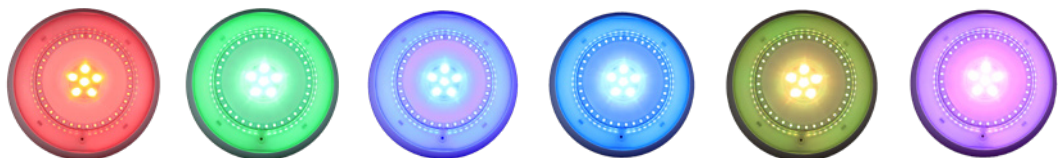
Light Guide Plate

Light Guide Plate (LGP) Technology

With the light guide plate, Aurora light features an ultra-thin, low power consumption, even brightness, visual comfort and attractive appearance.

Various Color Options & Pre-programmed Light effects

The RGB version offers color changing options with 14 modes with brilliant dynamic light that can be changed by remote control box (optional) .



Product Features

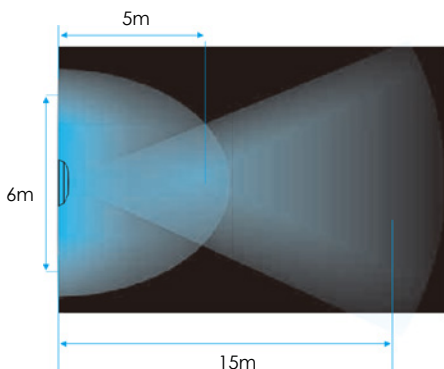
100% WATER PROOFING With our latest resin filled LED panel technology, the unit is totally waterproof.

HIGH COMPATIBILITY Aurora is designed for all concrete, tiled, vinyl liner, and fiberglass pools.

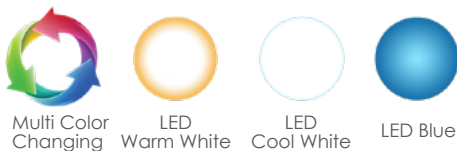
GREAT DURABILITY Made of durable ABS with high quality polycarbonate transparent lens. A special heat sink design ensures long LED life.

CONVENIENCE Easy installation and maintenance. Latest wiring method allows convenient, reliable wiring for replacement.

THE WIDEST ANGLE OF ILLUMINATION The combination of high power LED bulbs and unique 360 degree LED ring achieves the widest angle of illumination on the market.

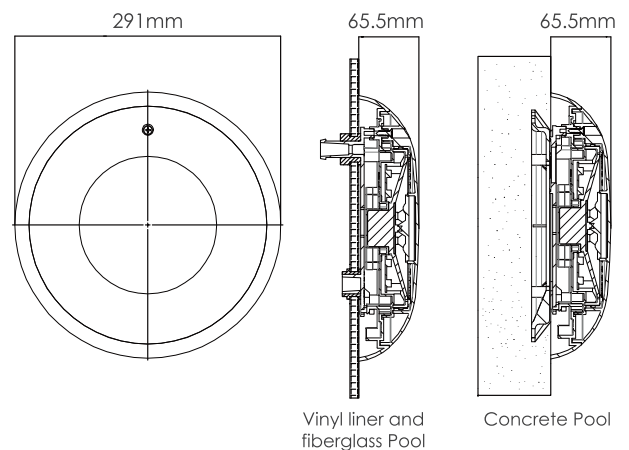


Product Information



Multi Color Changing LED Warm White LED Cool White LED Blue

| Code | Model | Watt/ Voltage | Color | Illuminance (lux) |
|---------|---------|---------------|---------------------|-------------------|
| 9042401 | ARR30CW | 30W/12V | Cool White (10000k) | 1450 |
| 9042402 | ARR30C | 30W/12V | RGB | 1700 |
| 9042404 | ARR30B | 30W/12V | Blue | 300 |
| 9042403 | ARR30W | 30W/12V | Warm White (4000k) | 1395 |



EMAUX WATER TECHNOLOGY CO., LTD

ADDRESS: 2/F, Lockhart Centre, No. 301-307 Lockhart Road,
Wanchai, Hong Kong
PHONE +852 2832 9880
www.emauxgroup.com

 **YOUR PREMIER SUPPLIER**

Available from:

ALL SPECIFICATIONS ARE SUBJECT TO CHANGE WITHOUT NOTICE.
© EMAUX WATER TECHNOLOGY CO., LTD. ALL RIGHTS RESERVED.

www.emauxgroup.com