

# Volumetric Filter

ULTIMATE FILTER PERFORMANCE

For residential and semi-commercial pools

**Volumetric**



**e** **Emaux**  
water technology

Pool & Spa Equipment

# Product Features

## Volumetric Filter

### ENGINEERED FOR THE DIFFERENCES

One-piece blow-molded filter tank combining the technology of structural engineered high-density polyethylene material manufactured to maximize the strength of the filter. It is perfectly suited for all pools with different disinfection systems (Salt chlorinator , Ozone, UV, and chemical dosing).

The Volumetric Filter is designed for the best clarity of filtered water and has an outstanding pressure standard among the market benchmarks.

The filter incorporates a multiport valve manufactured from robust components to create the most efficient, reliable, and user-friendly filter positioning it in the market for the best return on investment.

Tank Material

**HDPE**

Max Operating Pressure

**58 psi / 4 bar**

Max Temperature

**50°C (122°F)**

Suggested Size of Media

**0.5-0.8mm**

**Volumetric Filter is equipped with:**

1. 6-way clamp style multiport valve (1.5"MPV07, 2"MPV08)
2. universal standard of union connection
3. pressure gauge
4. ABS Lateral system



## Professional approach for creating better water

### 1. 6-Way Multiport Valve

Unique design allows tool-free service and maintenance

### 2. Filtration Bed

30% higher filtration bed promotes deeper water filtration for better water quality

### 3. Drain Cover

Robust and reliable to reduce operating and maintenance costs



### 4. Handy Clamp Lock

The hinged clamp allows 360° rotation of the valve to simplify installation and plumbing work

### 5. Filter Tank

An innovative T-shaped filter tank is designed for better backwashing. HDPE tank can withstand higher water pressure and water temperature



### 6. Double-Layered Lateral System

Benefits from uniform filtered water collection and provides thorough backwashing of the filter media

## Advantages

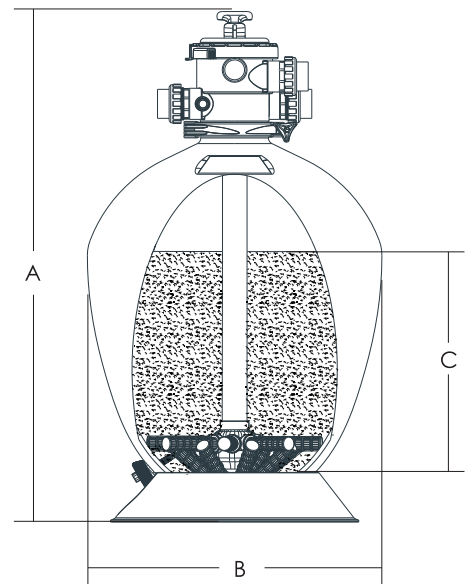
**Better Water:** 30% more volume of filtration bed among other filters in the market to improve the filtration quality.

**Less Backwash:** The high volume of filtration bed allows the filter to trap more dirt and as a result, less frequency of backwash is required.

**User-friendly:** Easy to install, maintain and replace. Affordable spare parts available.

**High compatibility:** The filter and its components are compatible in all different kinds of pool applications.

**Robust Performance:** HDPE filter body provide the best protection under any extreme weather conditions.



## Product Information

Code	Model	Filter Area (m <sup>2</sup> )	Valve Connections	Max Flow Rate	Sand (kg)	A mm	B mm	C mm
9010501	T450	0.16	1.5" / 50mm	8.0m <sup>3</sup> /h	75	964	457	353
9010502	T500	0.20	1.5" / 50mm	10.0m <sup>3</sup> /h	95	1040	508	400
9010503	T600	0.29	1.5" / 50mm	14.6m <sup>3</sup> /h	165	1090	610	457
9010504	T700	0.39	1.5" / 50mm	19.5m <sup>3</sup> /h	200	1180	711	516
9010505	T600B	0.29	2.0" / 63mm	14.6m <sup>3</sup> /h	165	1142	610	457
9010506	T700B	0.39	2.0" / 63mm	19.5m <sup>3</sup> /h	200	1232	711	516

## EMAUX WATER TECHNOLOGY CO., LTD

2/F, Lockhart Centre, No. 301-307 Lockhart Road,  
Wanchai, Hong Kong

PHONE +852 2832 9880

[www.emauxgroup.com](http://www.emauxgroup.com)

 **YOUR PREMIER SUPPLIER**

Available from:

ALL SPECIFICATIONS ARE SUBJECT TO CHANGE WITHOUT NOTICE.  
© EMAUX WATER TECHNOLOGY CO., LTD. ALL RIGHTS RESERVED.

[www.emauxgroup.com](http://www.emauxgroup.com)