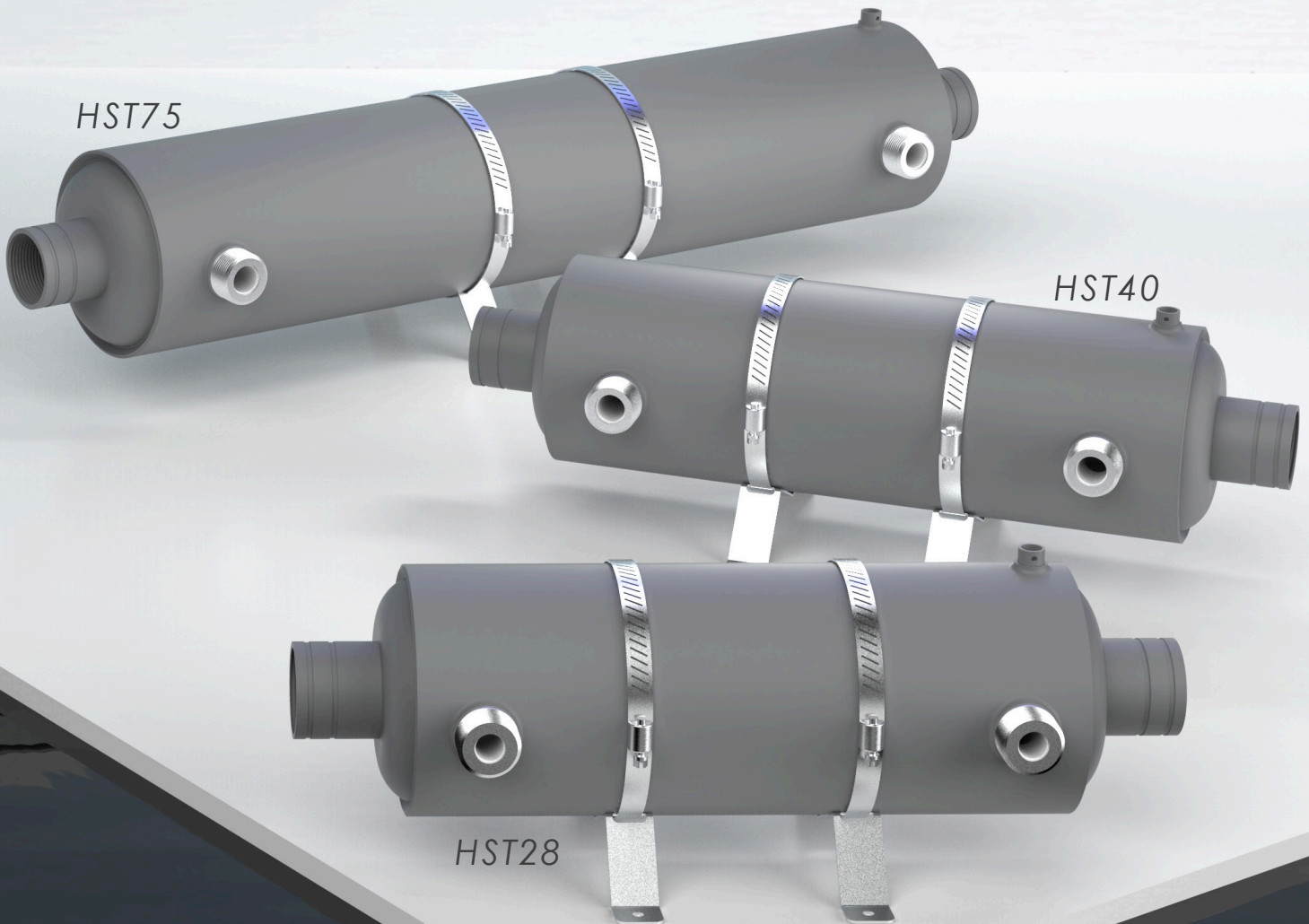




**RELIABILITY** **TITANIUM**  
**MEETS INNOVATION**  
**HST SERIES HEAT EXCHANGER**

Connects to different kinds of boilers,  
heat pumps and solar panel systems

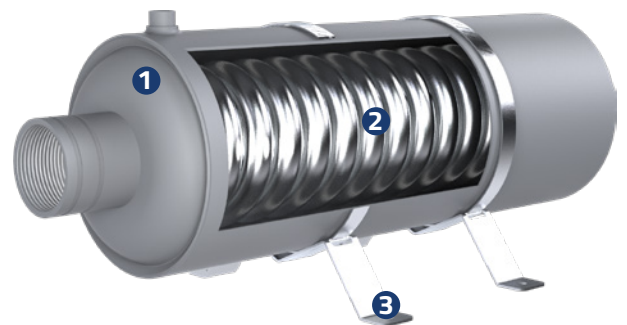


# ENGINEERED FOR EXCELLENCE IN HEAT TRANSFER!

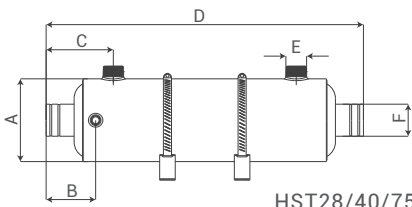
The Emaux HST series heat exchanger is made from titanium, making it perfect for challenging environments prone to corrosion, especially in saltwater pools or with salt chlorinators. Its innovative spiral heat tubes design enhances heat distribution, ensuring the system is both efficient and energy-saving. Known for its impressive output and superior heat transfer capabilities, this series is versatile for multiple applications. Each model is designed for straightforward installation and compatibility with various systems, including boilers, heat pumps, and solar panel setups. The Emaux HST series stands out for its reliability and performance, providing effective thermal management across diverse environments.

## PRODUCT FEATURE

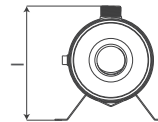
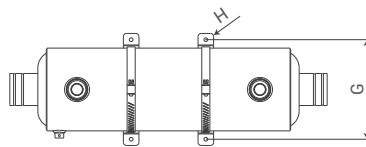
1. Titanium casing (Ø133x1.5mm)
2. Titanium spiral tubes for heat transfer
3. SS AISI-316 stainless steel base
4. Suitable for pools up to 300m<sup>3</sup>
5. 28kW to 75kW availability
6. Horizontal installation



## Product Dimensions and Technical Information



HST28/40/75

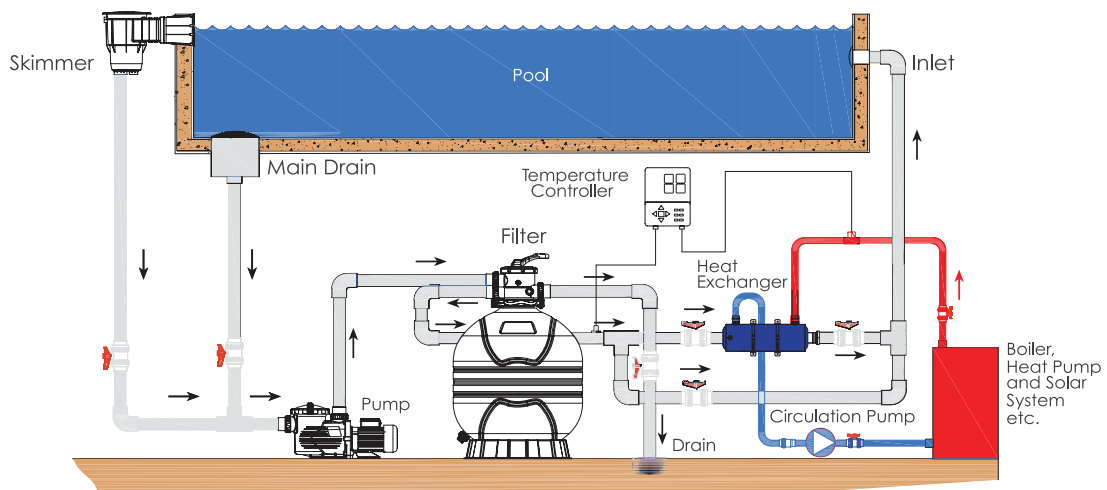


## Testing Pressure

Pool Water Circuit: 5 Bar  
Hot Water Circuit: 30 Bar

Code	Model	Capacity		Weight kg	Hot Water Flow (l/min)	Pool Water Flow (l/min)	A mm	B mm	C mm	D mm	E inch	F inch	G mm	H mm	I mm
		kw	kBtu/h												
9170203	HST28	28	100	2.2	20	300	Φ133	79.6	95	470	1"	1.5"	160	Φ6	183
9170204	HST40	40	135	2.3	40	300	Φ133	79.6	108	510	1"	1.5"	160	Φ6	183
9170205	HST75	75	260	3.7	45	300	Φ133	79.6	108	754	1"	1.5"	160	Φ6	183

## Installation



## EMAUX WATER TECHNOLOGY CO., LTD

ADDRESS: 2/F, Lockhart Centre, No. 301-307  
Lockhart Road, Wanchai, Hong Kong  
PHONE +852 2832 9880  
www.emauxgroup.com

Pool & Spa Equipment

YOUR PREMIER SUPPLIER

Available from:

ALL SPECIFICATIONS ARE SUBJECT TO CHANGE WITHOUT NOTICE  
© EMAUX WATER TECHNOLOGY CO., LTD. ALL RIGHTS RESERVED.