



**SMART CHLORINE** —  
— **LESS CHEMICAL**

## SSCnano+ Salt Chlorinator

For Above and Inground Pool



## COMPACT DESIGN & SUPERIOR CHLORINATION

The SSCnano+ is an innovative in-line salt chlorinator that seamlessly synchronizes with the pump. Offering 12 chlorine production modes, it provides complete control over the chlorination process. Integrated features like a water flow switch, salinity monitoring, and water temperature tracking enable responsive pool management. Its innovative technology also includes a cell run-time meter. Enjoy the benefits of long cell life and reduced chemical usage, thanks to its efficient and environmentally friendly design. Compact and user-friendly, the SSCnano+ revolutionizes chlorine generation.



CE IPX4

### Product feature:

- Auto self cleaning reverse polarity
- Cell run-time meter
- Temperature sensor
- ON/OFF operation
- Water flow switch

Transparent Protective Shell

Current Data

Lock / Unlock

Water Flow Switch

A minimum flow rate of 3 m<sup>3</sup>/hr is required to activate the water flow switch.



Salt level Status

Water Flow & Cell Status

Temperature & Chlorine output

BOOST Mode

## New Connectivity and External Smart Control

### DOWNLOAD THE APP SMART LIFE



#### IoT Connection:

An IoT version can be controlled and monitored over an internet connection, enabling users to manage pool functions remotely. This connectivity allows for real-time adjustments, automated scheduling, and enhanced efficiency in maintaining optimal water quality.

Material  
PC / ABS

Operation Voltage  
110V - 240V

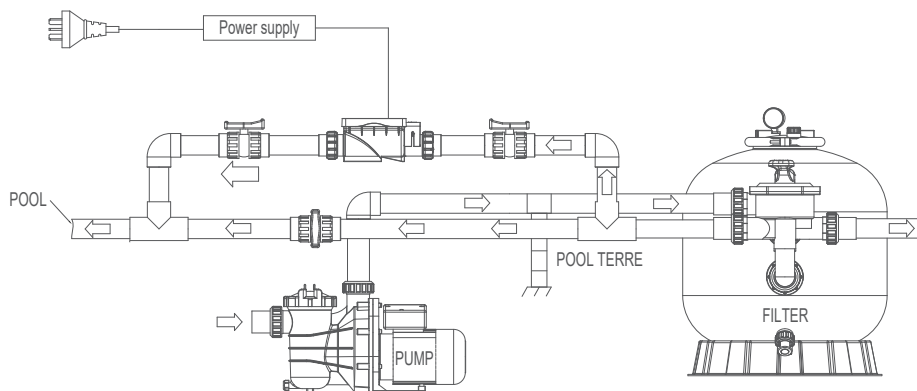
Max. pool volume  
100 m<sup>3</sup> - 180 m<sup>3</sup>

Salt Level  
2,800 to 4,500 ppm

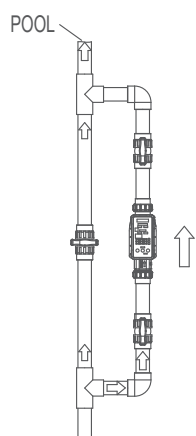
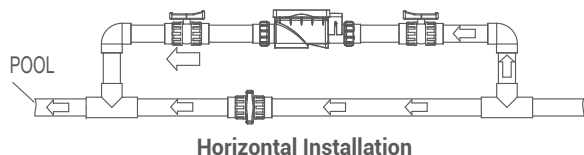
Working Temperature  
15 - 40 °C

Waterproof Standard  
IPX4

## Installation Diagram



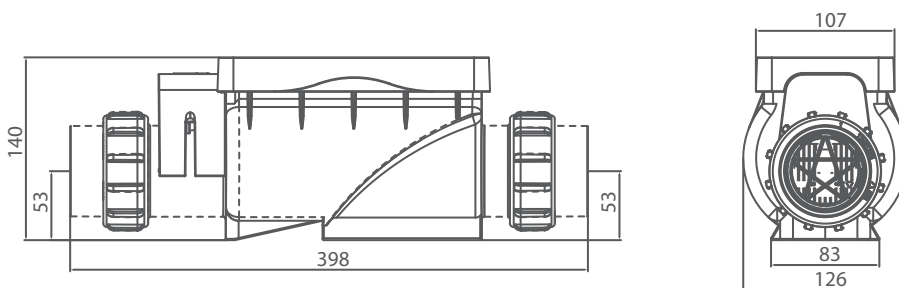
### 2 installation methods:



## Accessories and Power Supply:



## Product Information



Code	Model	Input Voltage/ Frequency	Salt Level	Cell production rate	Maximum working pressure	Cell Connections	Working Temperature	Max. Pool Volume
9130059	SSCnano+20	110 - 240 V/ 50-60 Hz	2,800 to	20g/hr	2.5 bar	2"/63mm	15-40 °C	100m <sup>3</sup>
9130060	SSCnano+30		4,500	30g/hr				140m <sup>3</sup>
9130061	SSCnano+40		ppm	40g/hr				180m <sup>3</sup>



**EMAUX WATER TECHNOLOGY CO., LTD**

ADDRESS: 2/F, Lockhart Centre, No. 301-307 Lockhart Road,  
Wanchai, Hong Kong

PHONE +852 2832 9880

[www.emauxgroup.com](http://www.emauxgroup.com)

 **YOUR PREMIER SUPPLIER**

ALL SPECIFICATIONS ARE SUBJECT TO CHANGE WITHOUT NOTICE.  
© EMAUX WATER TECHNOLOGY CO., LTD. ALL RIGHTS RESERVED.